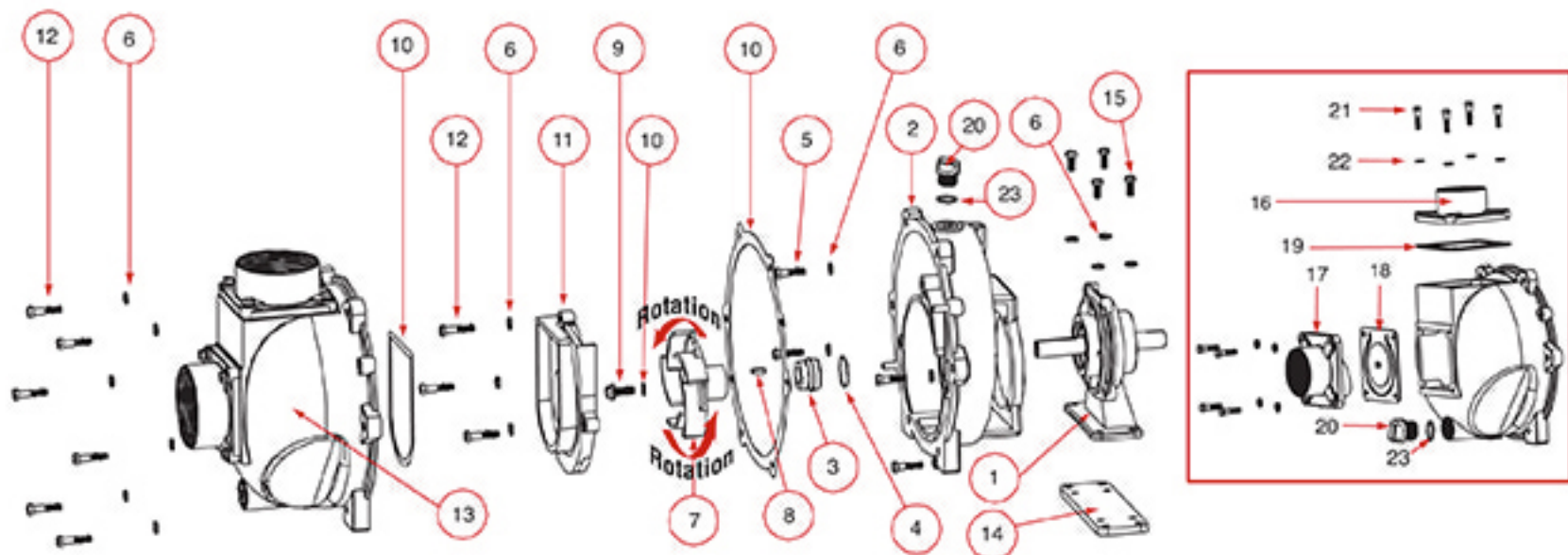
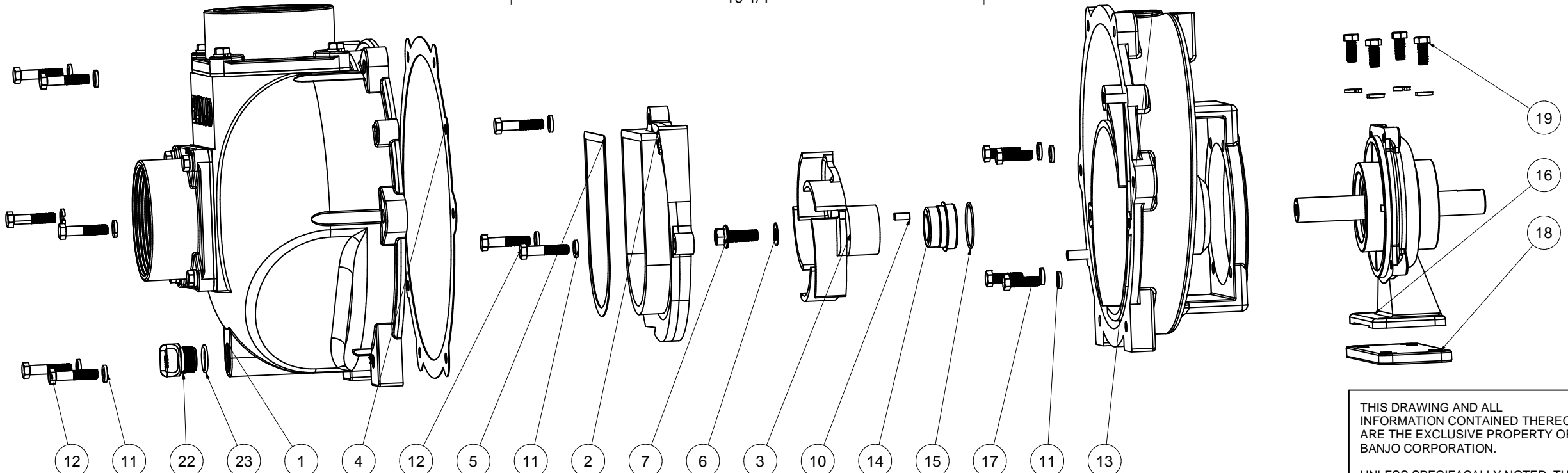
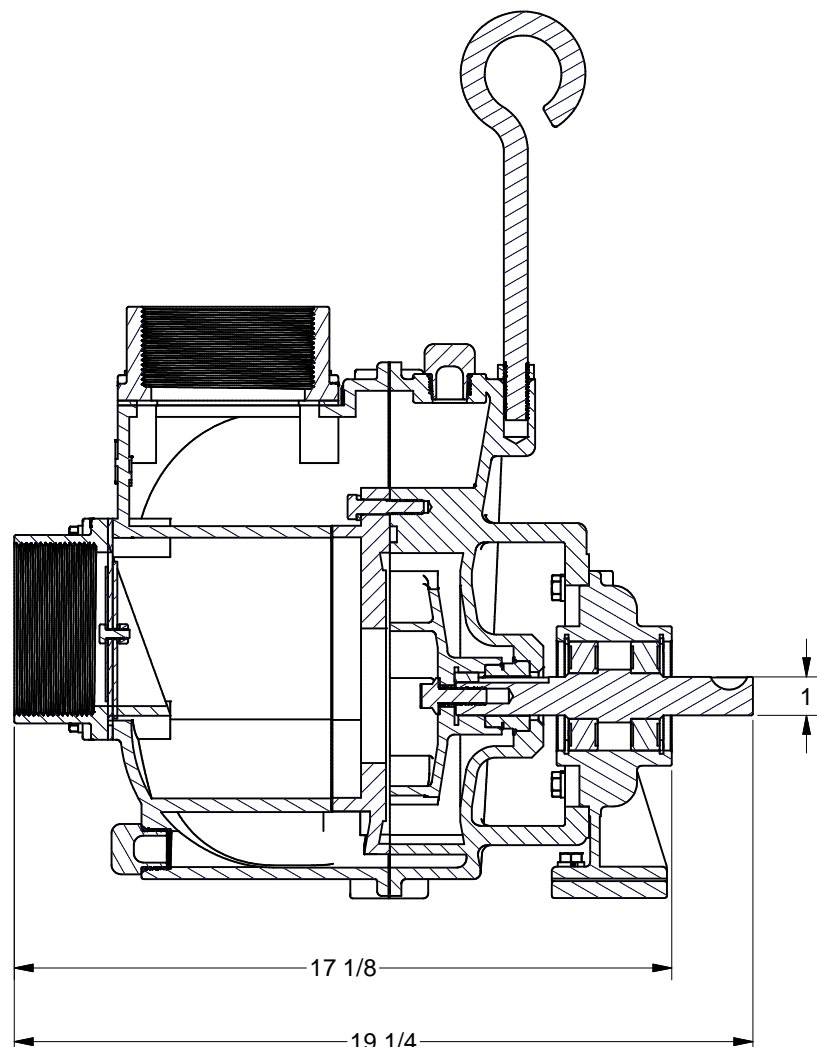
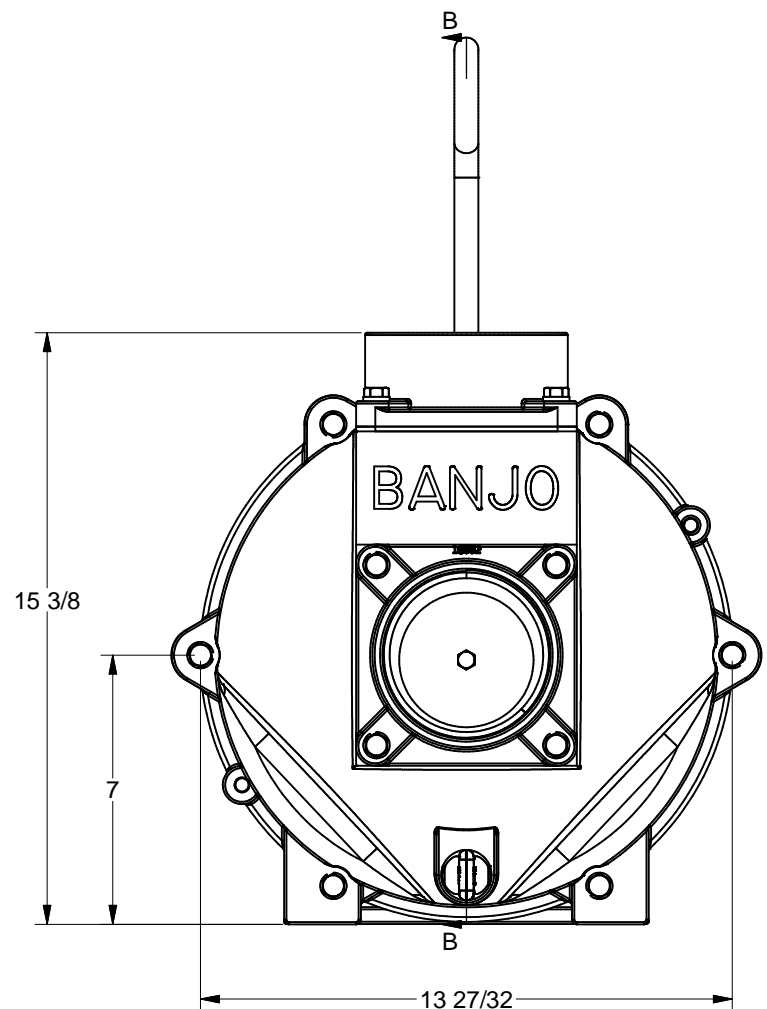


Part Number : 444PBI



Item	Part No.	Description	Qty.
1	18500	Bearing Pedestal	1
2	16703	Rear Bracket (444PBI)	1
3	16713	Mechanical Seal	1
4	16710	O-Ring	1
5	17704	3/8" - 16 x 1.25" SS Cap Screw	4
6	V20018	3/8" SS Lock Washer	17
7	16772	4" Impeller -5 Vane (444PBI)	1
8	16901	1/4" SQ. 3/4" Key Stock	1
9	16765	Impeller Bolt	1
10	16019	Gasket Set	1
11	16702	Volute	1
12	V20011SS	3/8" - 16 x 1.75" SS Bolt	9
13	16712	Body (444PBI)	1
14	18511	Adapter Plate	1
15	18512	3/8" - 16 x 0.875" SS HHCS	4
16	16000	4" Outlet Flange (444PBI)	1
17	16002	Inlet Flange	1
18	16706	Inlet Gasket w/ Check	1
19	16011	Outlet Gasket	1
20	13777	Plug	2
21	18027	3/8" - 16 x 1.50" HHCS	8
22	V20018	3/8" SS Lock Washer	8
23	13778	O-Ring	2



Parts List			
ITEM	QTY	PART NUMBER	DESCRIPTION
1	1	16712	4" PUMP BODY ASSY
2	1	16702	4" PUMP VOLUTE
3	1	16772	5 VANE IMPELLER FOR 4" PUMP
4	1	16019A	GASKET
5	1	16019B	GASKET
6	1	16019C	GASKET
7	1	16765	7/16-20 1 1/4" HFS
8	1	18034	5/8-11 JAM NUT
9	1	18033	PUMP HANDLE
10	1	16901	1/4" SQ. KEY
11	17	V20018	3/8" LOCKWASHER
12	9	V20011SS	3/8-16 X 1 3/4" HHCS
13	1	16703	4" PUMP REAR BRACKET, OLD
14	1	16713	MECH. SEAL ASSY.
15	1	16710	#031 O'RING
16	1	18500	BEARING PEDESTAL ASSY
17	4	17704	3/8-16 X 1 1/4" HHCS
18	1	18511	ADAPTER PLATE FOR 18500
19	4	18512	3/8-16 X 7/8" HHCS
20	1	12910	PUMP DECAL (N/S)
21	1	16752	IMPELLER SHIM (AS REQ'D, N/S)
22	2	13777	3/4" DRAIN PLUG
23	2	13778V	2-119 O'RING

THIS DRAWING AND ALL INFORMATION CONTAINED THEREON ARE THE EXCLUSIVE PROPERTY OF BANJO CORPORATION.

UNLESS SPECIFICALLY NOTED, THIS DRAWING AND ITEMS SHOWN ON THIS DRAWING ARE SUBJECT TO CHANGE AT ANY TIME.

BANJO CORPORATION
 150 BANJO DRIVE, CRAWFORDSVILLE, IN 47933
 WEB SITE: WWW.BANJOCORP.COM
 E-MAIL: SALES1@BANJOCORP.COM

DESCRIPTION
4" PUMP W/ BEARING PEDESTAL

PART NUMBER
444PBI