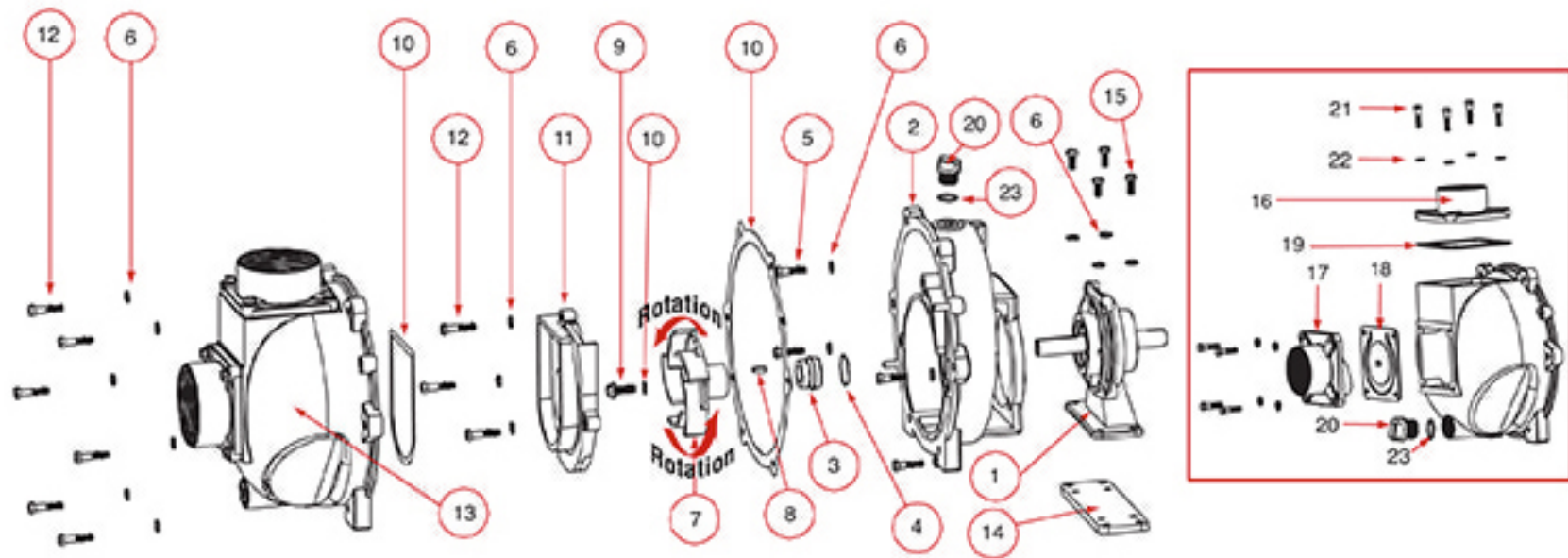
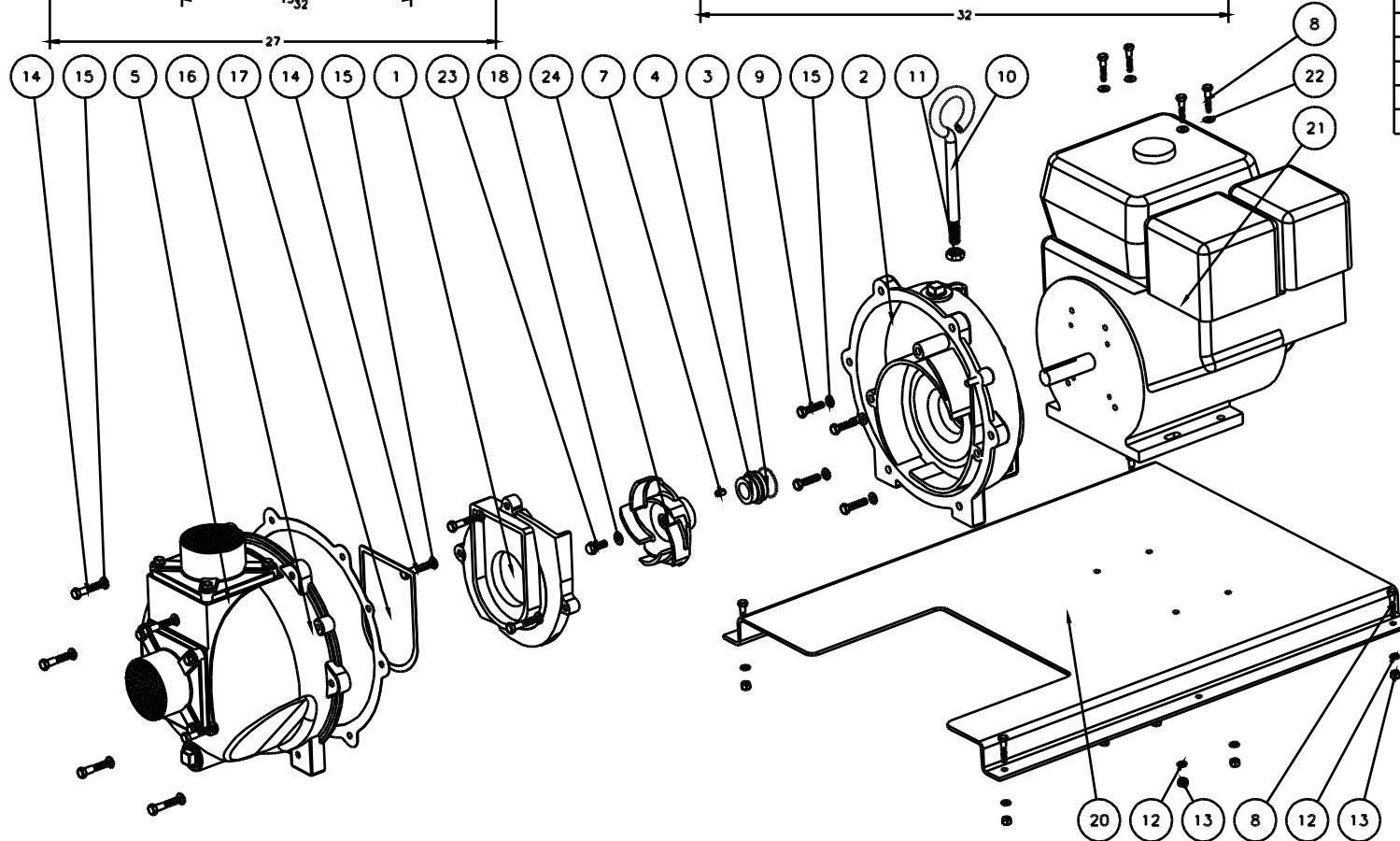
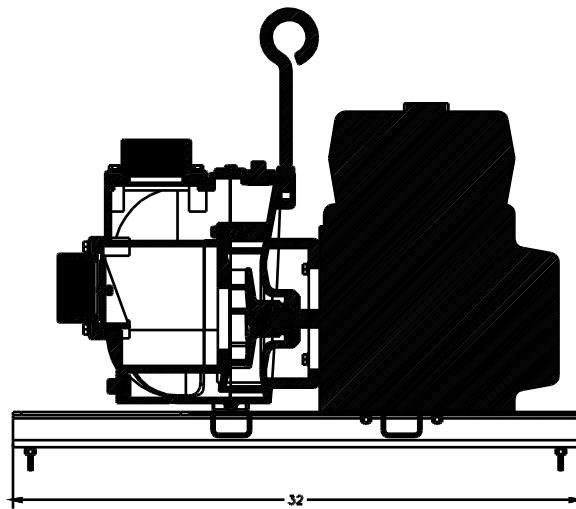
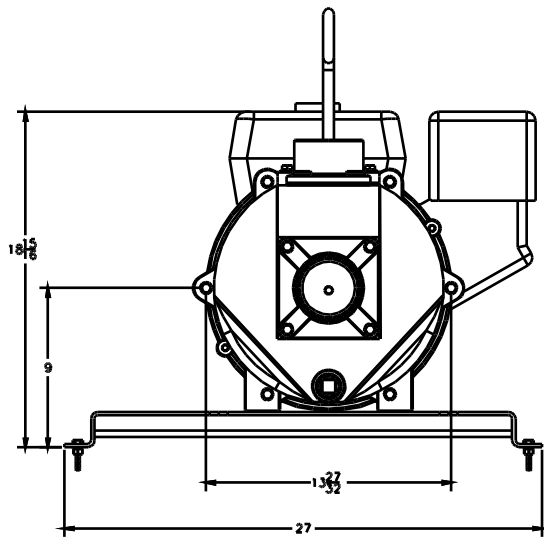


Part Number : 333PIH13



Item	Part No.	Description	Qty.
2	16704	Rear Bracket	1
3	16713	Mechanical Seal	1
4	16710	O-Ring	1
6	V20018	3/8" SS Lock Washer	17
7	16774	3" Impeller (333PIH13)	1
8	16901	1/4" SQ. 3/4" Key Stock	1
9	13765	Impeller Bolt (333PPIH13)	1
10	16019	Gasket Set	1
11	16702	Volute	1
12	V20011SS	3/8" - 16 x 1.75" SS Bolt	9
13	16733	Body	1
16	16001	Outlet Flange	1
17	16003	Inlet Flange	1
18	16706	FKM (viton type) Inlet Gasket w/ Check	1
19	16011	FKM (viton type) Outlet Gasket	1
20	13777	Plug	2
21	18027	3/8" - 16 x 1.50" HHCS (333PIH13)	8
22	V20018	3/8" SS Lock Washer	8
23	13778	O-Ring	2



Parts List			
Item	Qty	PART NO.	DESCRIPTION
1	1	16702	4" PUMP VOLUTE
2	1	16704	3" HI VOL. REAR BRKT
3	1	16710	O'RING FOR MECH SEAL
4	1	16713	4" PUMP MECH. SEAL
5	1	16733	3" HI VOL. PUMP BODY
7	1	16901	1/4" SQ. X 3/4" KEY
8	8	17034	5/16 X 1 3/4 HHCS
9	4	18027	3/8-16 X 1 1/2 HHCS
10	1	18033	HANDLE
11	1	18034	5/8-11 JAM NUT
12	8	V10118	5/16" LOCKWASHER
13	8	V10119	5/16" HEX NUT
14	9	V20011SS	3/8-16 X 1 3/4 HHCS
15	13	V20018	3/8" LOCKWASHER
16	1	16019A	GASKET
17	1	16019B	GASKET
18	1	16019C	GASKET
19	1	12910	PUMP DECAL (N/S)
20	1	16033	BASE PLATE
21	1	E13H	13HP HONDA ENGINE
22	4	12901	5/16" FLAT WASHER
23	1	13765	3/8-24 X 1" HFS
24	1	16774	3" TRIMMED IMPELLER

BANJO
LIQUID HANDLING PRODUCTS

BANJO CORPORATION
150 BANJO DR. • CRAWFORDSVILLE, IN 47933

PART NO. 333PIH13

TITLE 3" CAST IRON PUMP W/ 13HP HONDA ENGINE

THIS DRAWING AND ALL INFORMATION CONTAINED THEREON ARE THE EXCLUSIVE PROPERTY OF BANJO CORPORATION. UNLESS SPECIFICALLY NOTED, THIS DRAWING AND ITEMS SHOWN ON THIS DRAWING ARE SUBJECT TO CHANGE AT ANY TIME.