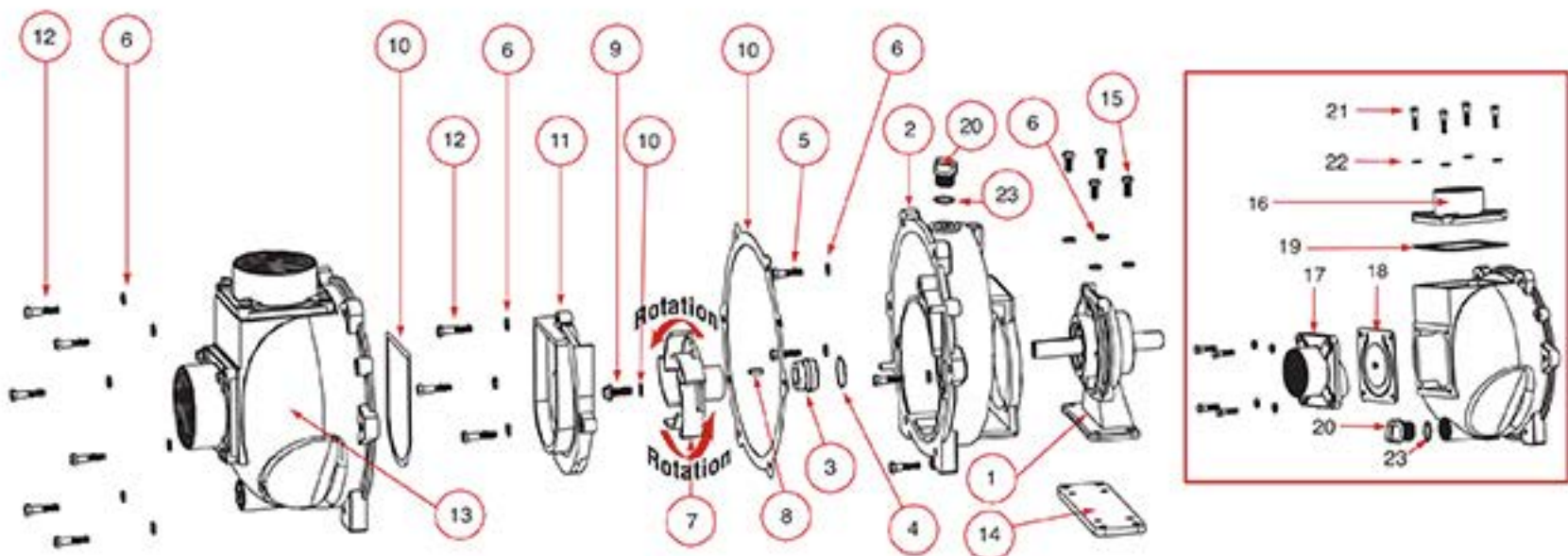
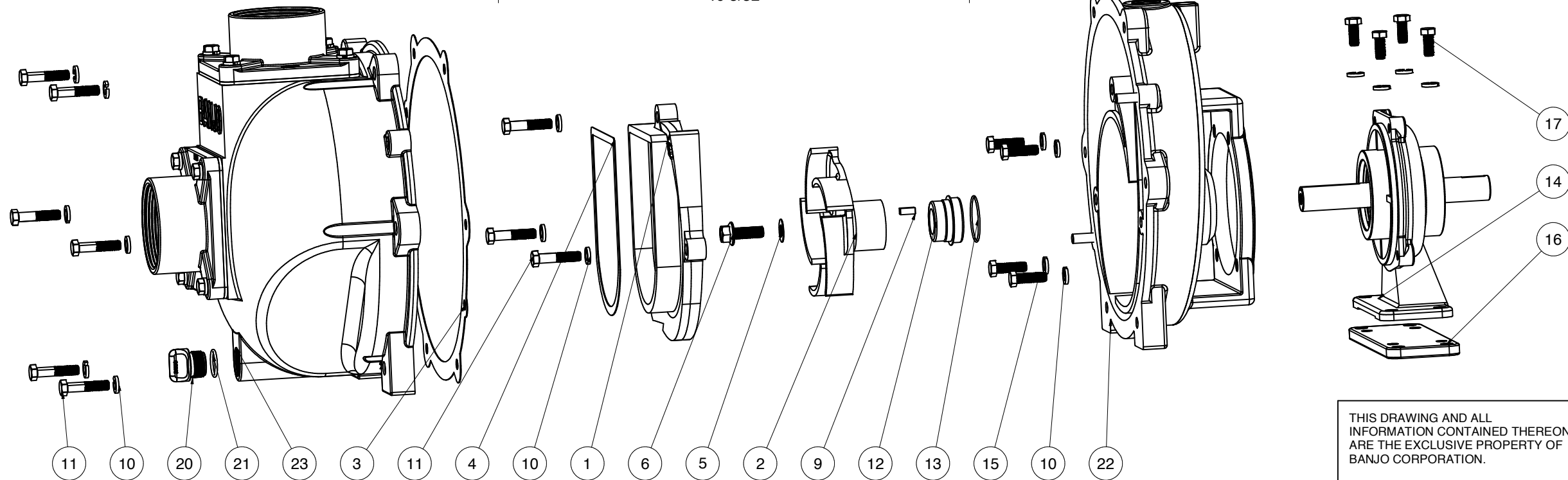
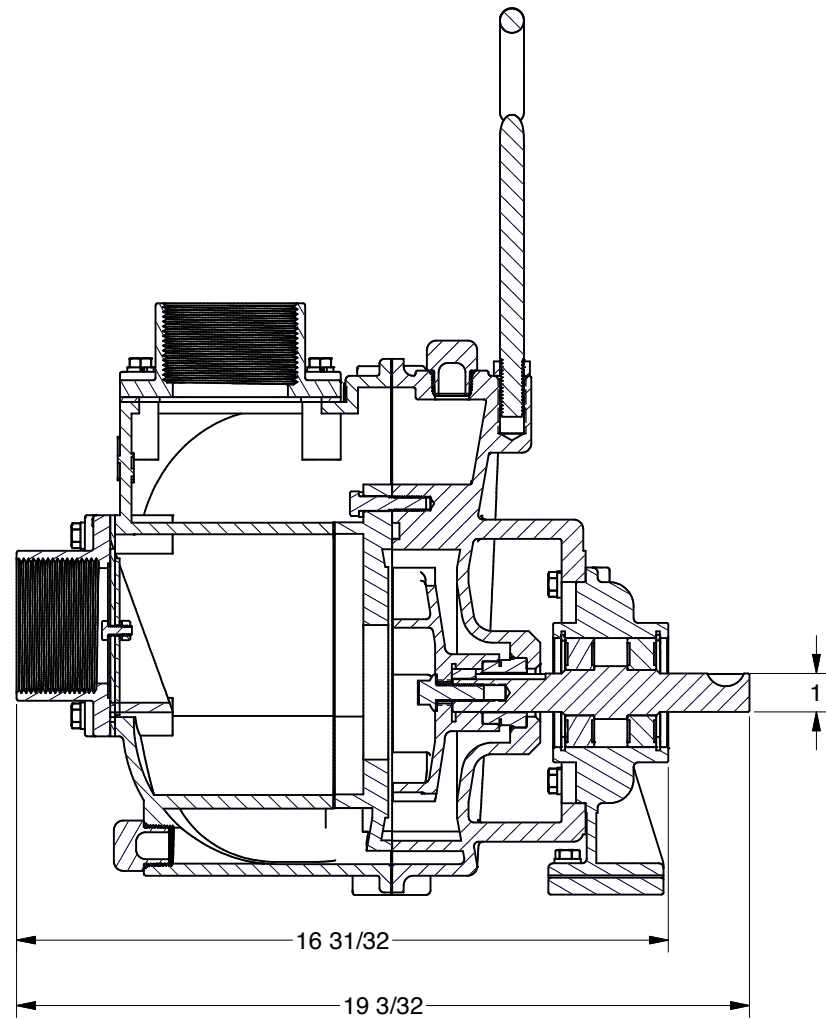
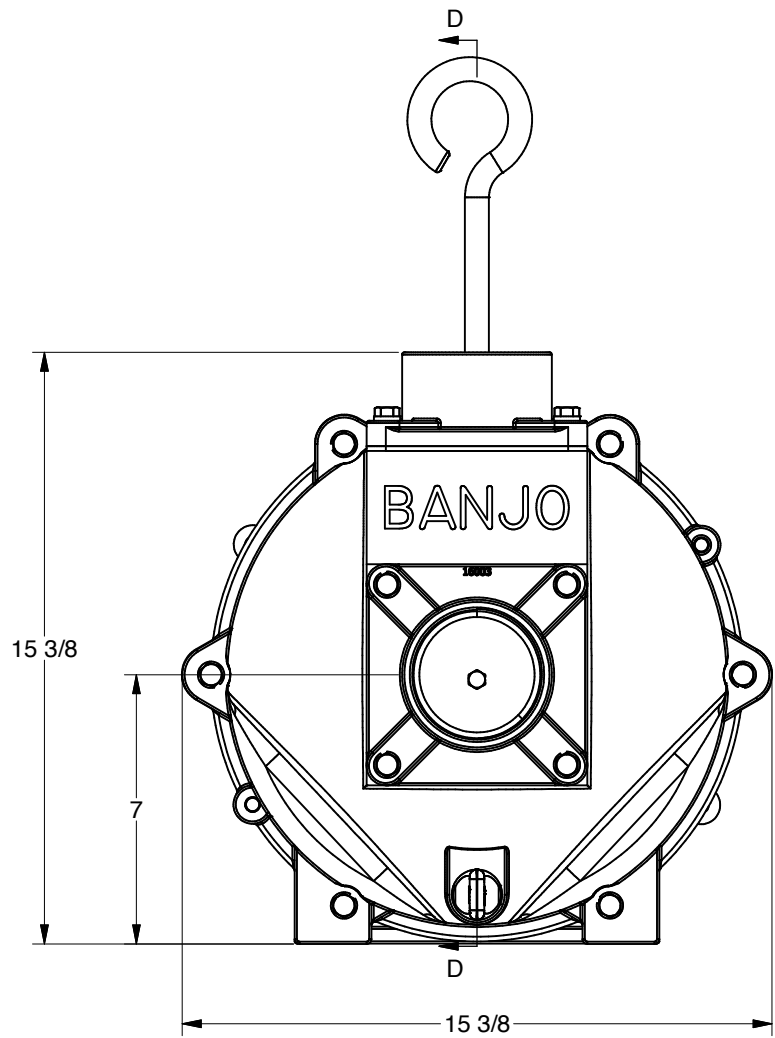


Part Number : 333PBI



Item	Part No.	Description	Qty.
1	18500	Bearing Pedestal (333PBI)	1
2	16704	Rear Bracket	1
3	16713	Mechanical Seal	1
4	16710	O-Ring	1
5	17704	3/8" - 16 x 1.25" SS Cap Screw (333PBI)	4
6	V20018	3/8" SS Lock Washer	17
7	16773	3" Impeller (333PBI)	1
8	16901	1/4" SQ. 3/4" Key Stock	1
9	16765	Impeller Bolt (333PBI)	1
10	16019	Gasket Set	1
11	16702	Volute	1
12	V20011SS	3/8" - 16 x 1.75" SS Bolt	9
13	16733	Body	1
14	18511	Adapter Plate (333PBI)	1
15	18512	3/8" - 16 x 0.875" SS HHCS (333PBI)	4
16	16001	Outlet Flange	1
17	16003	Inlet Flange	1
18	16706	FKM (viton type) Inlet Gasket w/ Check	1
19	16011	FKM (viton type) Outlet Gasket	1
20	13777	Plug	2
22	V20018	3/8" SS Lock Washer	8
23	13778	O-Ring	2



Parts List			
ITEM	QTY	PART NUMBER	DESCRIPTION
1	1	16702	4" PUMP VOLUTE
2	1	16773	5 VANE IMPELLER FOR 3" PUMP
3	1	16019A	GASKET
4	1	16019B	GASKET
5	1	16019C	GASKET
6	1	16765	7/16-20 1 1/4" HFS
7	1	18034	5/8-11 JAM NUT
8	1	18033	PUMP HANDLE
9	1	16901	1/4" SQ. KEY
10	17	V20018	3/8" LOCKWASHER
11	9	V20011SS	3/8-16 X 1 3/4" HHCS
12	1	16713	MECH. SEAL ASSY.
13	1	16710	#031 O-RING
14	1	18500	BEARING PEDESTAL ASSY
15	4	17704	3/8-16 X 1 1/4" HHCS
16	1	18511	ADAPTER PLATE FOR 18500
17	4	18512	3/8-16 X 7/8" HHCS
18	1	12910	PUMP DECAL (N/S)
19	1	16752	IMPELLER SHIM (AS REQ'D, N/S)
20	2	13777	3/4" DRAIN PLUG
21	2	13778V	2-119 O-RING
22	1	16704	3" CI REAR BRKT ASSY.
23	1	16733	3" PUMP BODY ASSY.

THIS DRAWING AND ALL INFORMATION CONTAINED THEREON ARE THE EXCLUSIVE PROPERTY OF BANJO CORPORATION. UNLESS SPECIFICALLY NOTED, THIS DRAWING AND ITEMS SHOWN ON THIS DRAWING ARE SUBJECT TO CHANGE AT ANY TIME.

BANJO CORPORATION
 150 BANJO DRIVE, CRAWFORDSVILLE, IN 47933
 WEB SITE: WWW.BANJOCORP.COM
 E-MAIL: SALES1@BANJOCORP.COM

DESCRIPTION
3" PUMP W/ BEARING PEDESTAL

PART NUMBER
333PBI