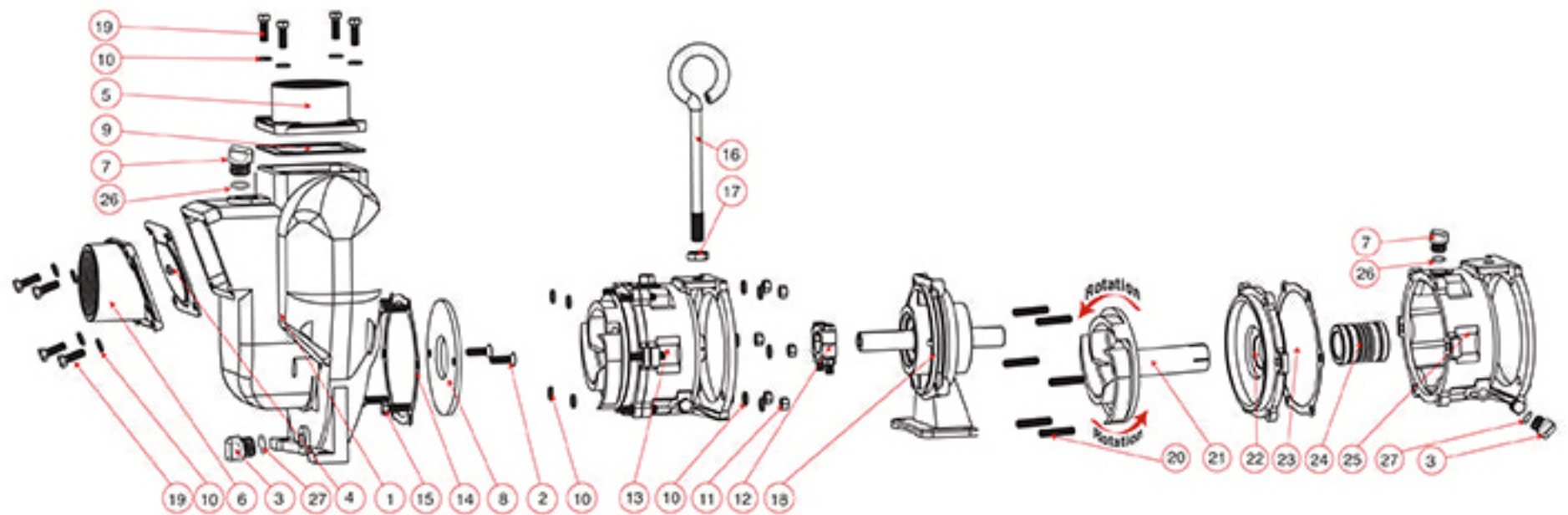
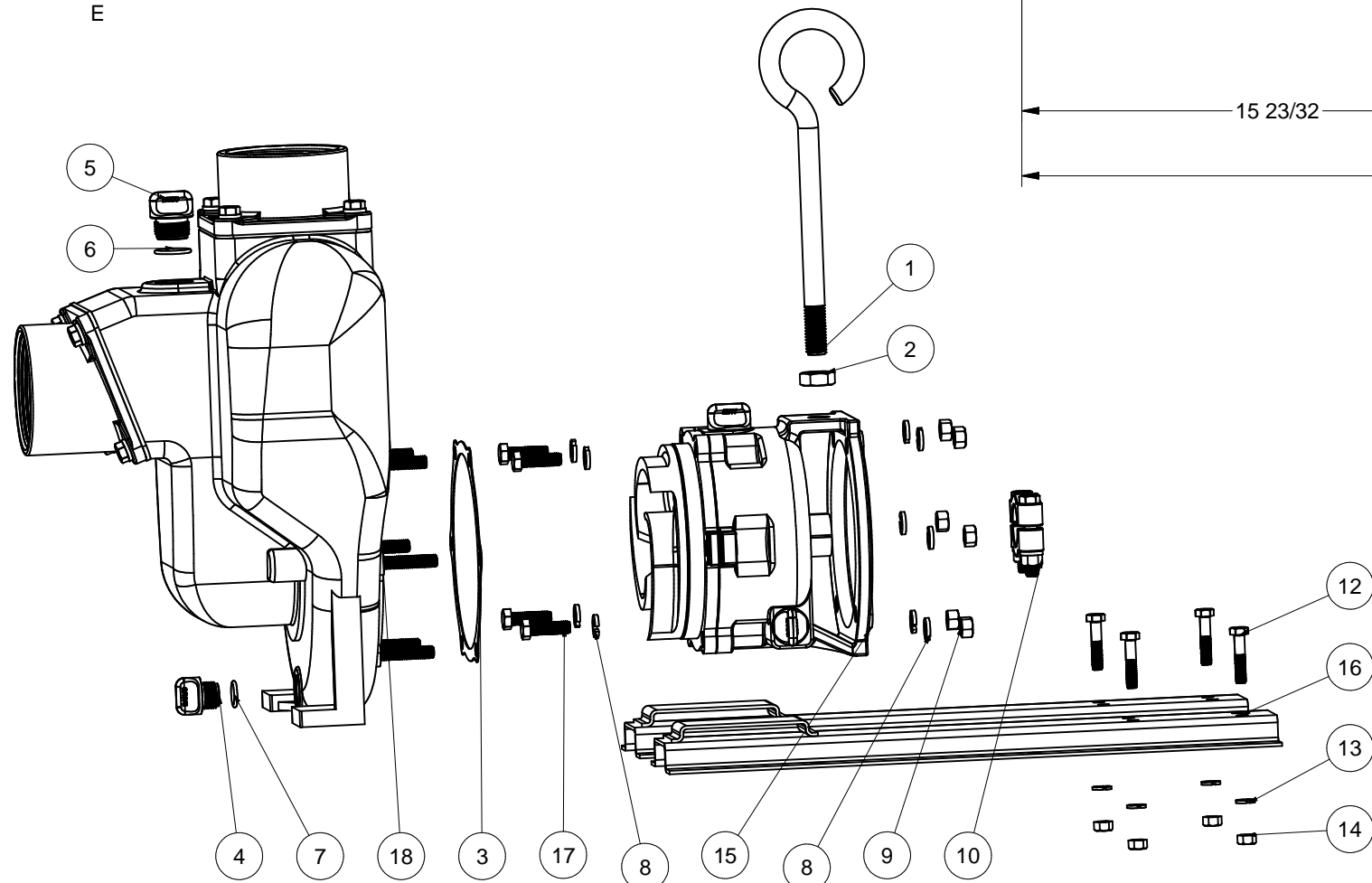
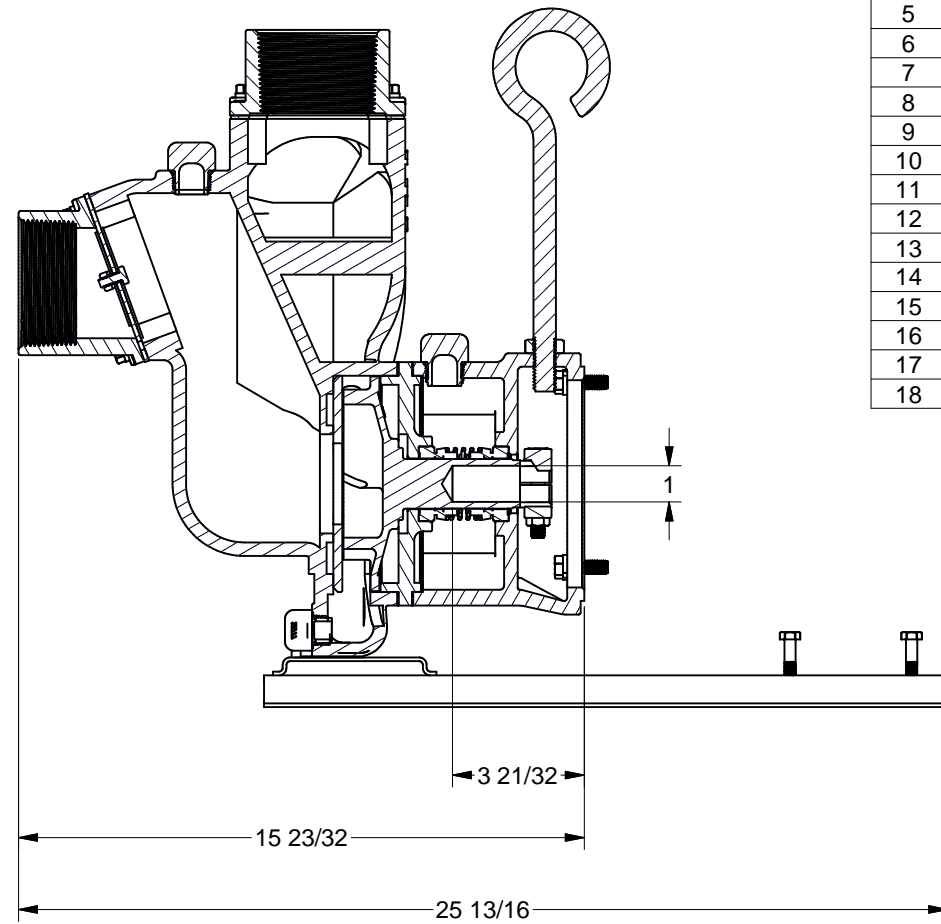
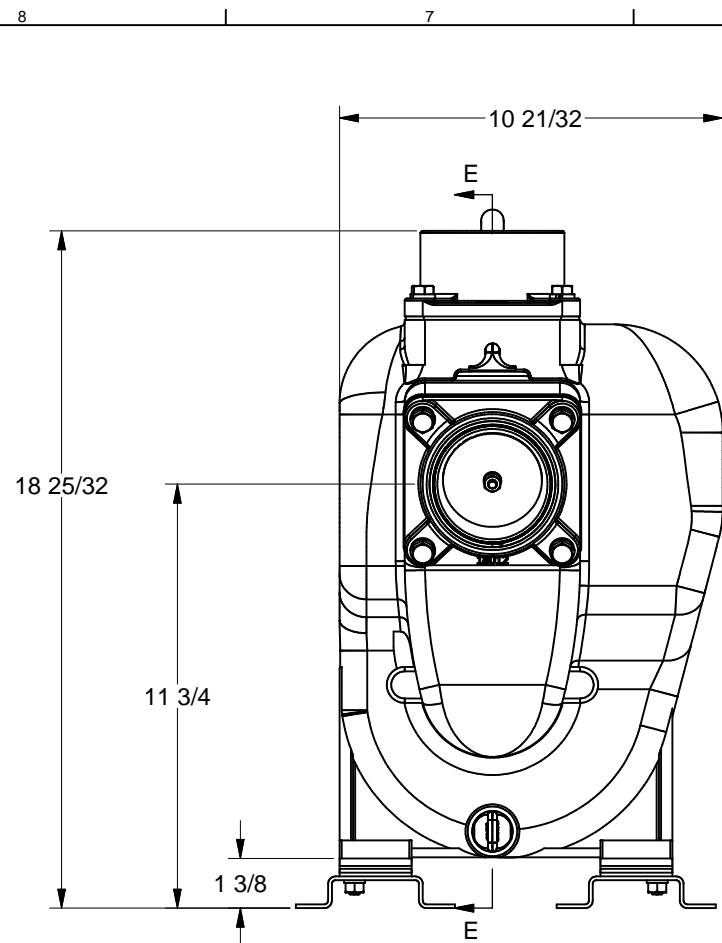


Part Number : 301POIW



Item	Part No.	Description	Qty.
1	18001	Pump Housing	1
2	18106	Flat Head Socket Cap Screw	2
3	12777	Fill Plug	2
4	18013	Inlet/Check?EPDM Gasket	1
5	18008	NPT Outlet Flange	1
6	18012	NPT Inlet Flange	1
7	13777	Plug	2
8	18004	Wear Plate	1
9	18009	EPDM?Outlet Gasket	1
10	V20018	3/8" Lock Washer	18
11	V20019	3/8" 16 SS Hex Nut	6
12	18129	Clamp Assembly Keyed	1
13	18200A	Wet Seal Assembly	1
14	18021	Adapter Gasket	1
15	17704	3/8" -16 x 1 1/4" HHCS	4
16	18033	Handle	1
17	18034	5/8" -11 Jam Nut	1
18	18500	Bearing Pedestal	1
19	18010SS	3/8" - 16 x 1 1/8" HHCS	8
20	18218	Pump Housing Stud	6
21	18206	Impeller	1
22	18202A	Cover??Plate	1
23	18021	Adapter Gasket	1
24	15035	Mechanical Seal Assembly	1
25	18203A	Wet Seal Reservoir	1
26	13778	O-Ring	2
27	UV15163	O-Ring	2



Parts List			
ITEM	QTY	PART NUMBER	DESCRIPTION
1	1	18033	PUMP HANDLE
2	1	18034	5/8-11 JAM NUT
3	1	18021	PUMP ADAPTER GASKET
4	1	12777	1/2" DRAIN PLUG
5	1	13777	3/4" DRAIN PLUG
6	1	13778	2-119 O-RING
7	1	UV15163	2-114 O-RING
8	10	V20018	3/8" LOCKWASHER
9	6	V20019	3/8" HEX NUT
10	1	18129	KEYED CLAMP ASSY.
11	1	12910	DECAL (N/S)
12	4	17034	5/16-18 X 1-1/2" HHCS
13	4	V10118	5/16" LOCKWASHER
14	4	V10119	5/16" HEX NUT
15	1	18200A	3" CI PUMP RESERVOIR, NEW
16	1	18235	Z-RAIL (PAIR)
17	4	17704	3/8-16 X 1 1/4" HHCS
18	1	18126	3" CI PUMP SUB-ASSEMBLY

THIS DRAWING AND ALL INFORMATION CONTAINED THEREON ARE THE EXCLUSIVE PROPERTY OF BANJO CORPORATION. UNLESS SPECIFICALLY NOTED, THIS DRAWING AND ITEMS SHOWN ON THIS DRAWING ARE SUBJECT TO CHANGE AT ANY TIME.

BANJO CORPORATION
 150 BANJO DRIVE, CRAWFORDSVILLE, IN 47933
 WEB SITE: WWW.BANJOCORP.COM
 E-MAIL: SALES1@BANJOCORP.COM

DESCRIPTION
3" CI WET SEAL PUMP ONLY

PART NUMBER
301POIW