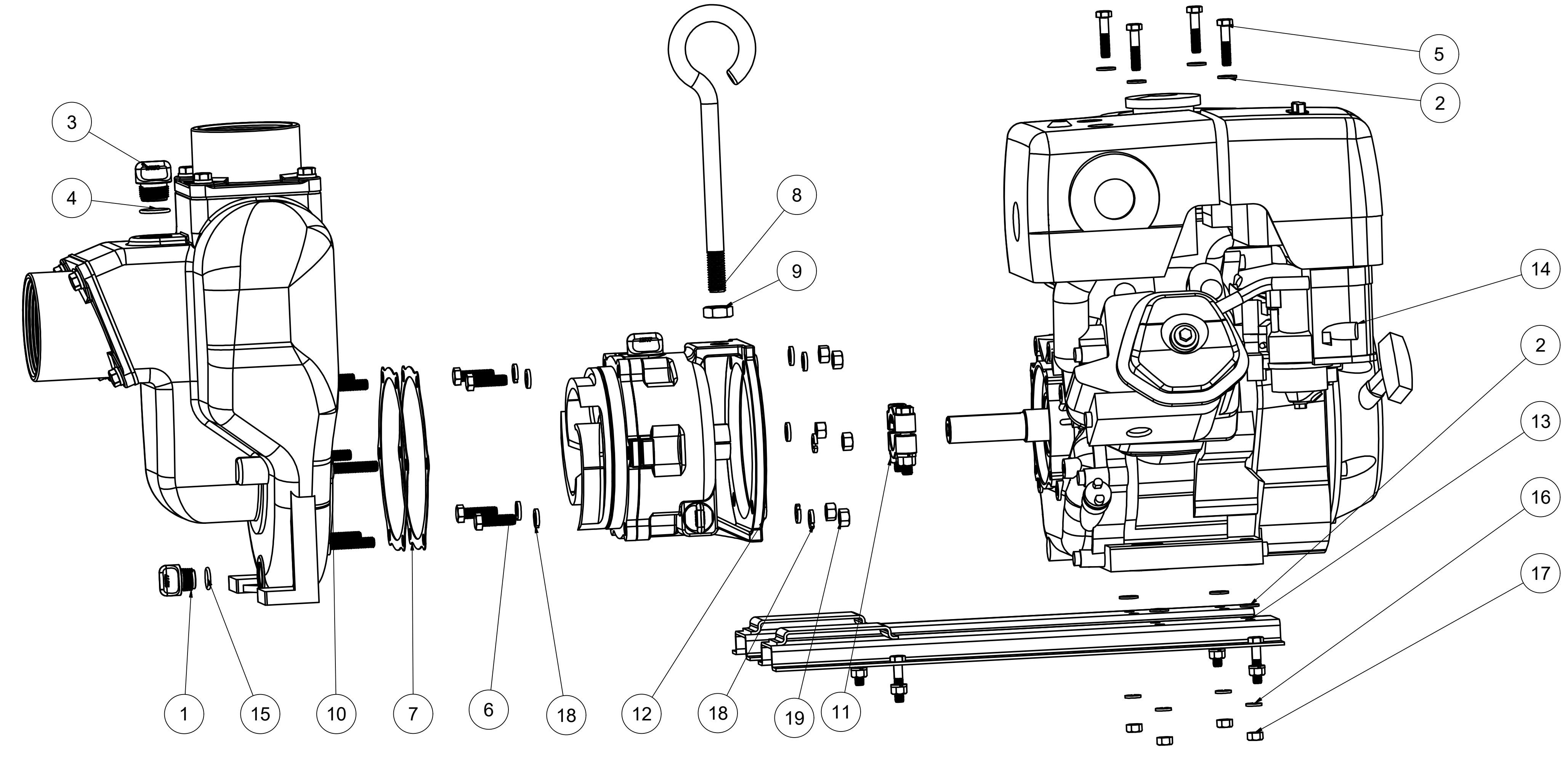
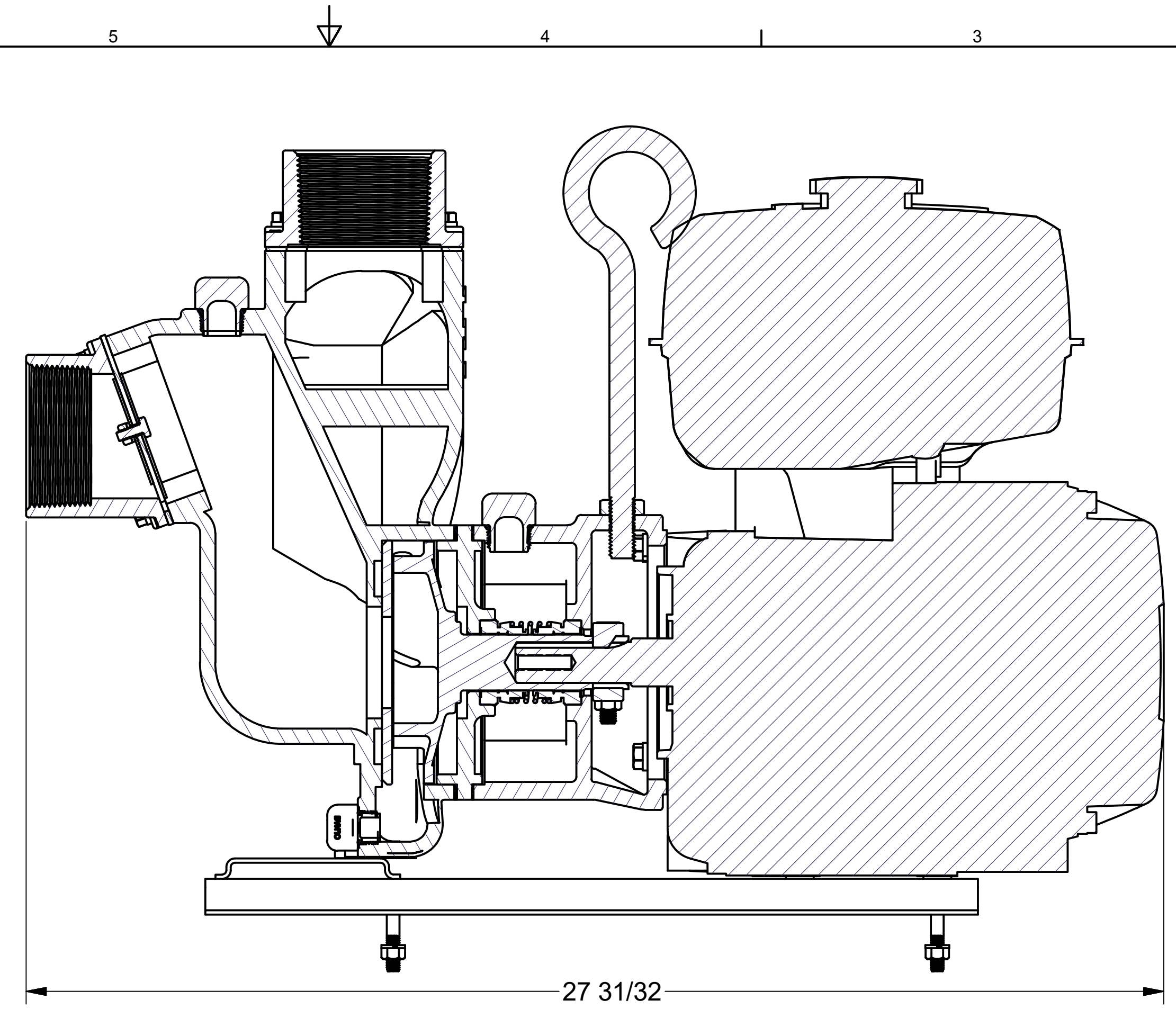
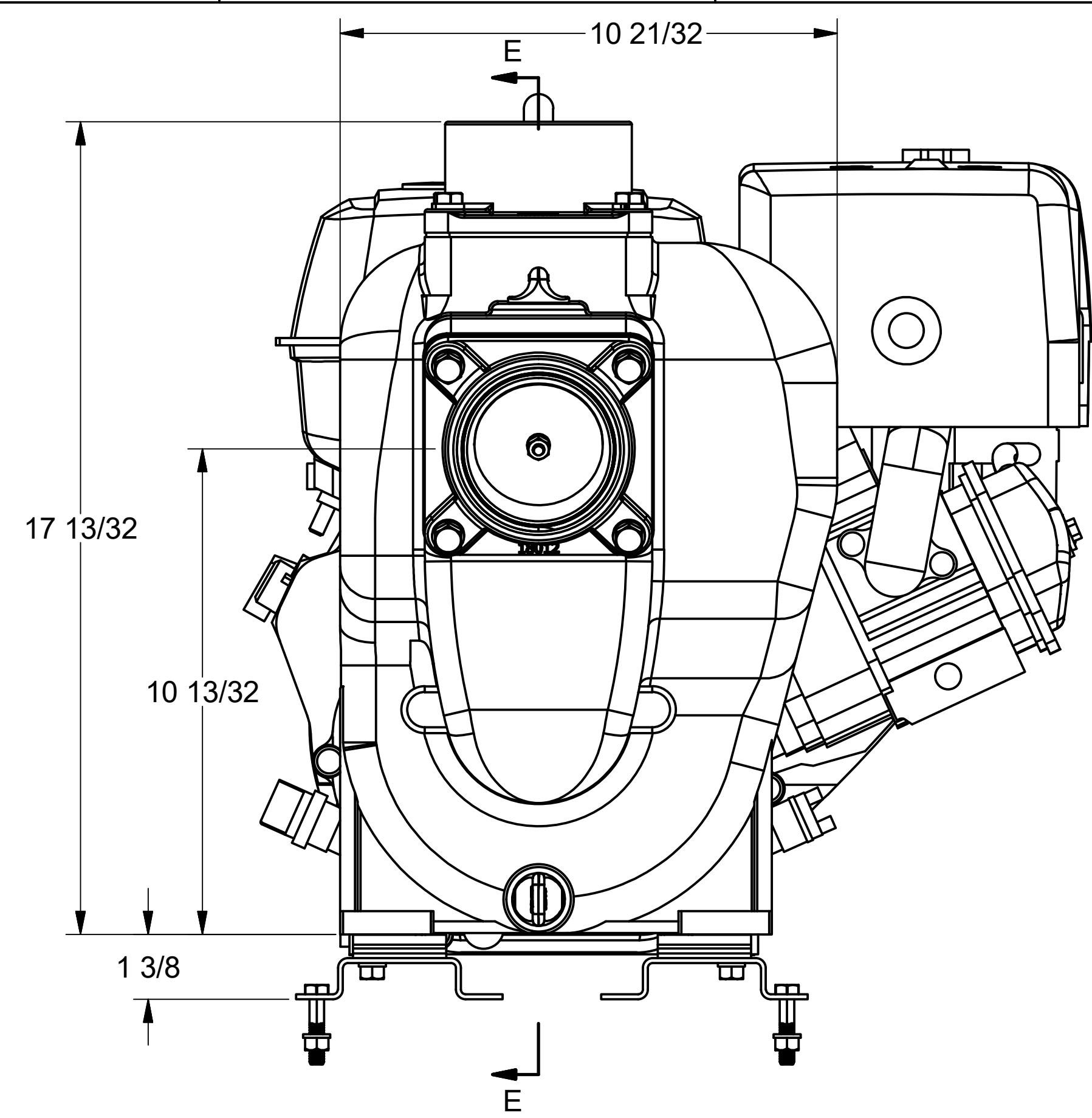


Parts List			
ITEM	QTY	PART NUMBER	DESCRIPTION
1	1	12777	1/2" DRAIN PLUG
2	8	12901	5/16" FLAT WASHER
3	1	13777	3/4" DRAIN PLUG
4	1	13778	#119 O'RING, EPDM
5	8	17034	5/16-18 X 1-1/2" HHCS
6	4	17704	3/8-16 X 1 1/4" HHCS
7	2	18021	PUMP ADAPTER GASKET
8	1	18033	PUMP HANDLE
9	1	18034	5/8-11 JAM NUT
10	1	18126	3" CI PUMP SUB-ASSEMBLY
11	1	18129	KEYED CLAMP ASSY.
12	1	18200A	3" CI PUMP RESERVOIR, NEW
13	1	18235	Z-RAIL (PAIR)
14	1	E13H	13 HP HONDA ENGINE
15	1	UV15163	#114 O'RING, EPDM
16	8	V10118	5/16" LOCKWASHER
17	8	V10119	5/16" HEX NUT
18	10	V20018	3/8" LOCKWASHER
19	6	V20019	3/8" HEX NUT
20	1	12910	DECAL (N/S)
21	1	KK-57	WET SEAL WARNING TAG (N/S)



THIS DRAWING AND ALL INFORMATION CONTAINED THEREON ARE THE EXCLUSIVE PROPERTY OF BANJO CORPORATION.

UNLESS SPECIFICALLY NOTED, THIS DRAWING AND ITEMS SHOWN ON THIS DRAWING ARE SUBJECT TO CHANGE AT ANY TIME.

BANJO CORPORATION

150 BANJO DRIVE, CRAWFORDSVILLE, IN 47933
 WEB SITE: WWW.BANJOCORP.COM
 E-MAIL: SALES1@BANJOCORP.COM

DESCRIPTION
3" CI WET SEAL PUMP W/ 13 HP HONDA

PART NUMBER
301PIH13W