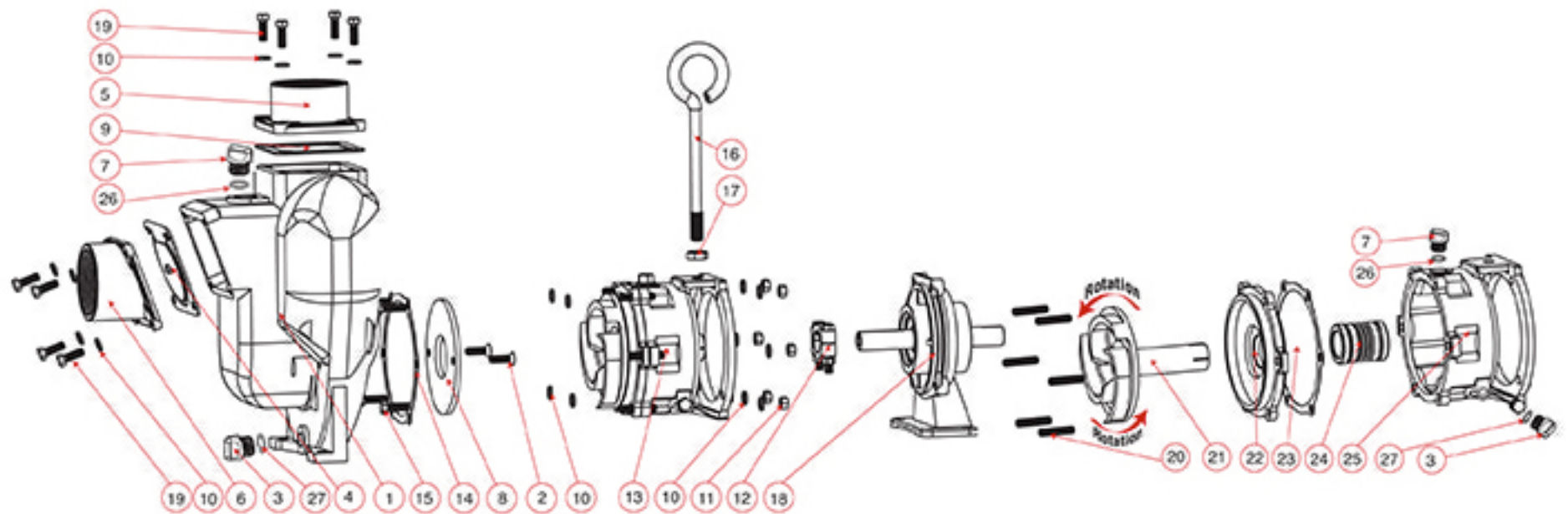
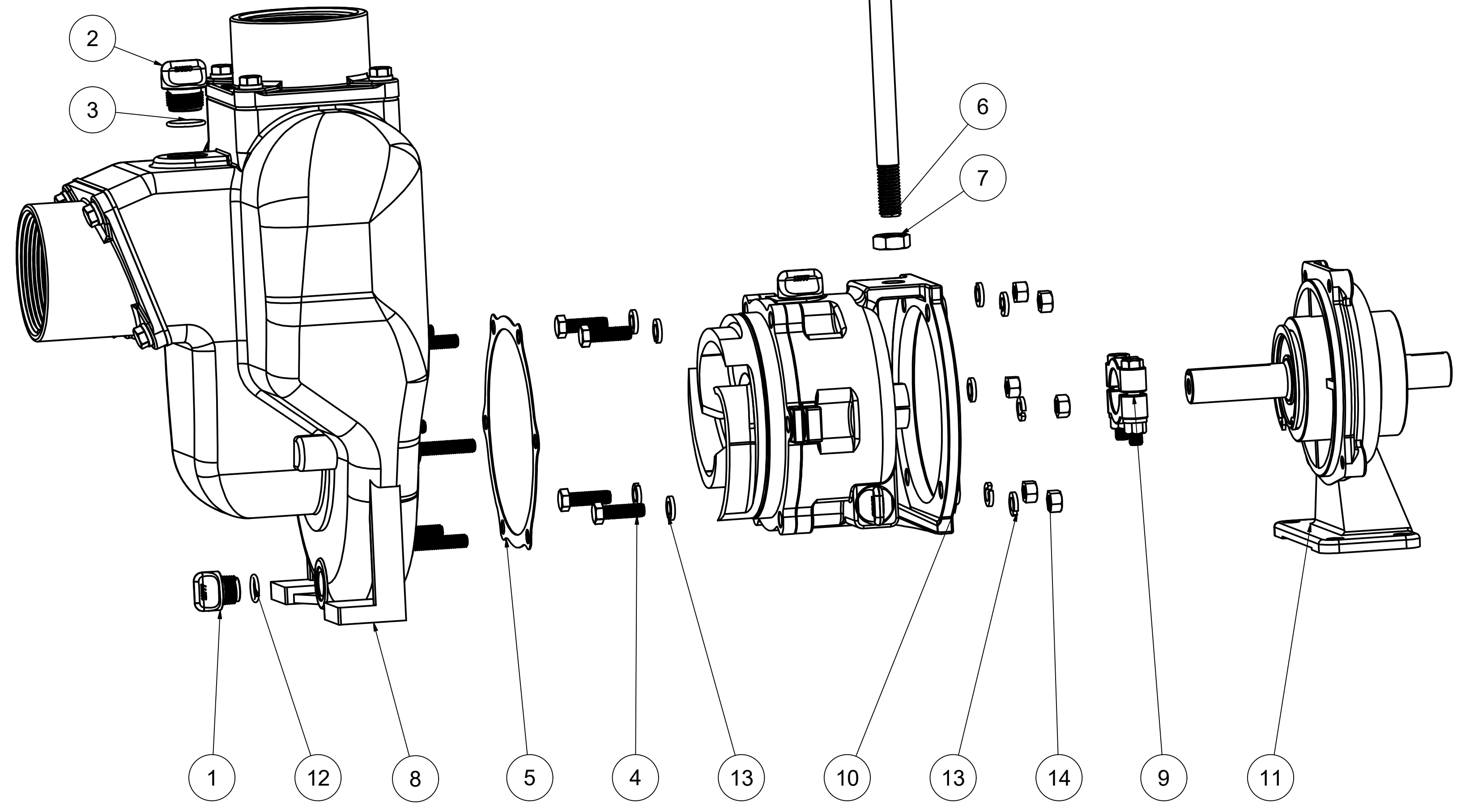
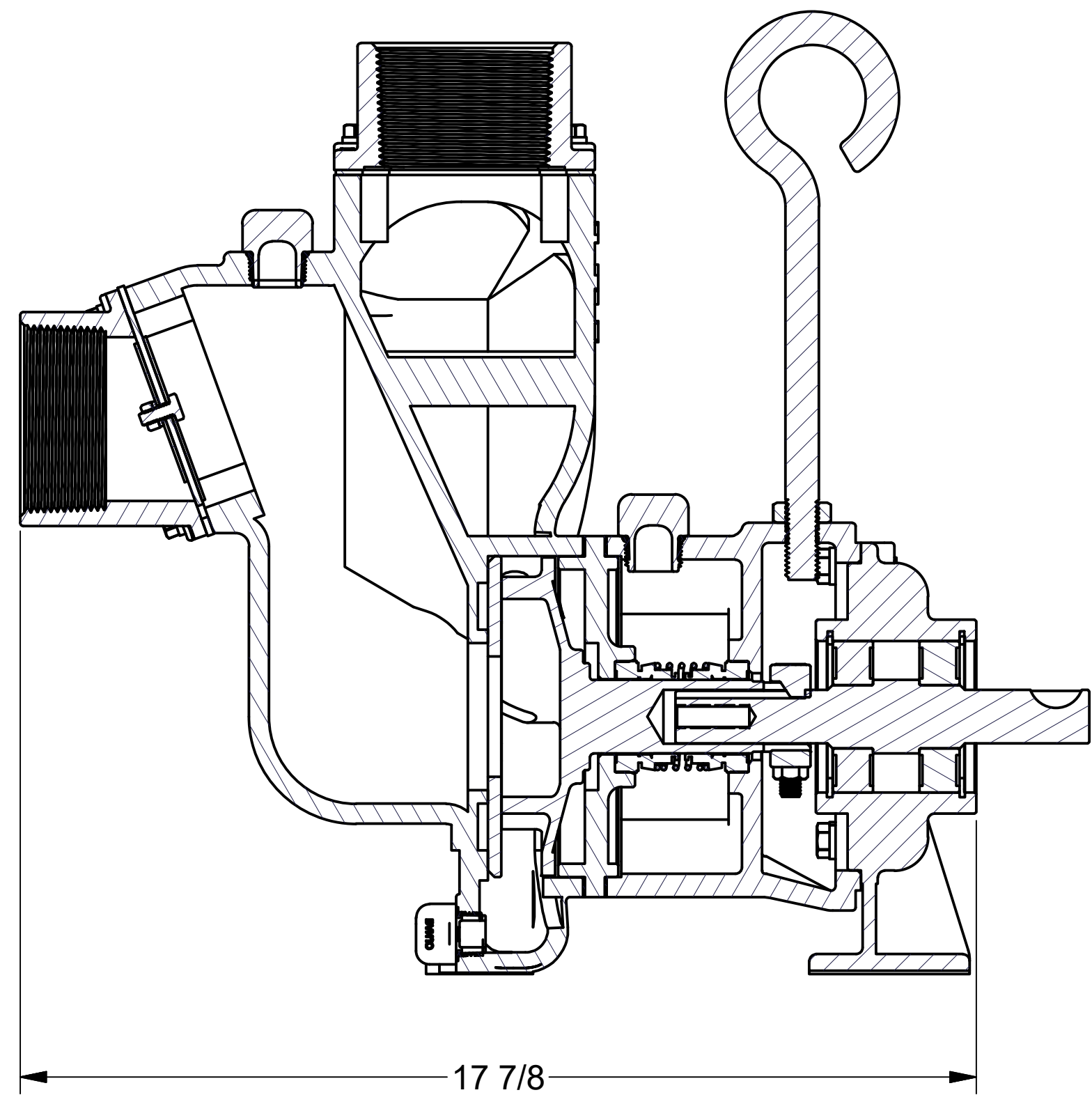
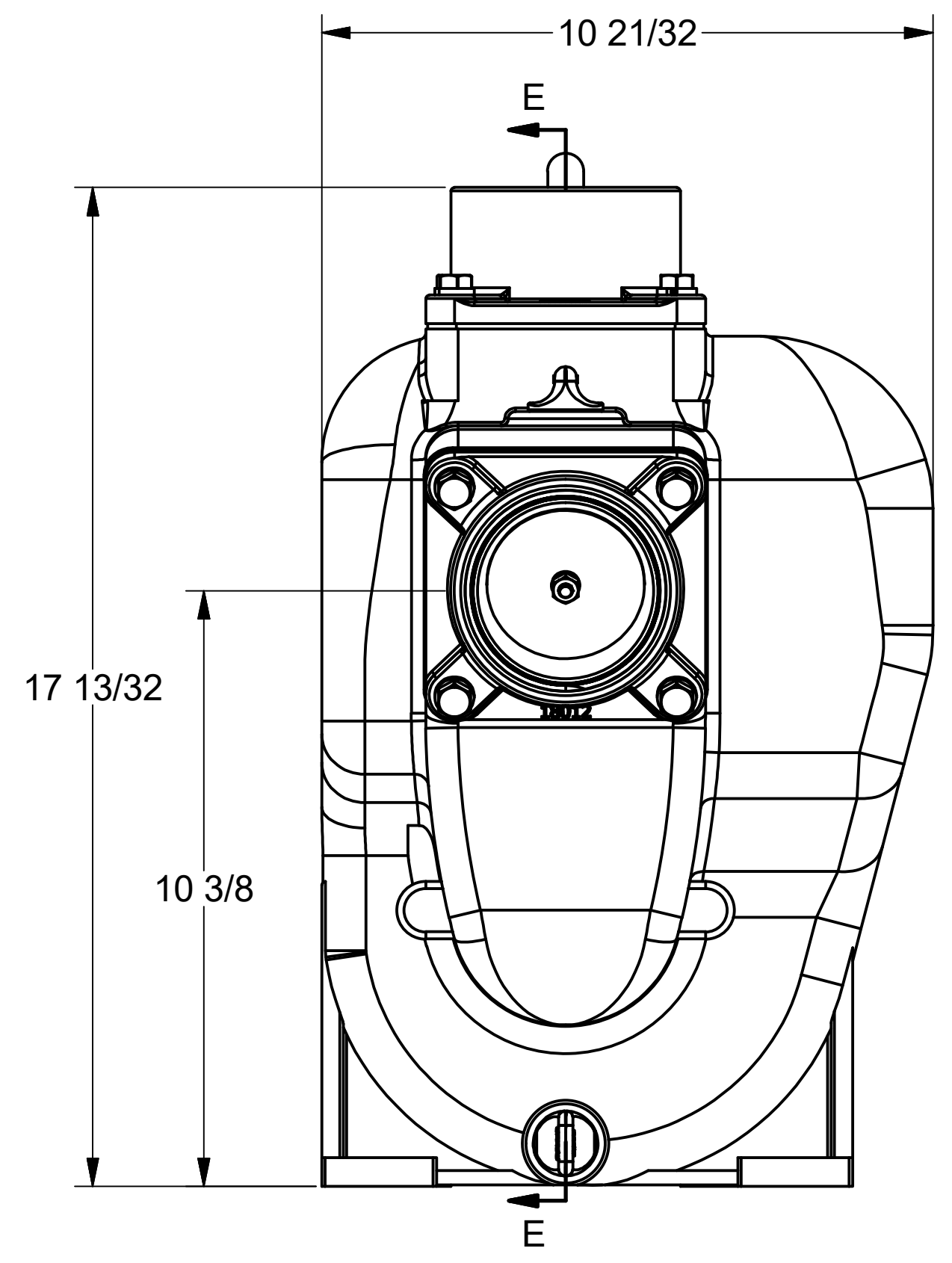


Part Number : 301PBIW



Item	Part No.	Description	Qty.
1	18001	Pump Housing	1
2	18106	Flat Head Socket Cap Screw	2
3	12777	Fill Plug	2
4	18013	Inlet/Check?EPDM Gasket	1
5	18008	NPT Outlet Flange	1
6	18012	NPT Inlet Flange	1
7	13777	Plug	2
8	18004	Wear Plate	1
9	18009	EPDM?Outlet Gasket	1
10	V20018	3/8" Lock Washer	18
11	V20019	3/8" 16 SS Hex Nut	6
12	18129	Clamp Assembly Keyed	1
13	18200A	Wet Seal Assembly	1
14	18021	Adapter Gasket	1
15	17704	3/8" -16 x 1/4" HHCS	4
16	18033	Handle	1
17	18034	5/8" -11 Jam Nut	1
18	18500	Bearing Pedestal	1
19	18010SS	3/8" - 16 x 11/8" HHCS	8
20	18218	Pump Housing Stud	6
21	18206	Impeller	1
22	18202A	Cover??Plate	1
23	18021	Adapter Gasket	1
24	15035	Mechanical Seal Assembly	1
25	18203A	Wet Seal Reservoir	1
26	13778	O-Ring	2
27	UV15163	O-Ring	2



Parts List			
ITEM	QTY	PART NUMBER	DESCRIPTION
1	1	12777	1/2" DRAIN PLUG
2	1	13777	3/4" DRAIN PLUG
3	1	13778	#119 O'RING, EPDM
4	4	17704	3/8-16 X 1 1/4" HHCS
5	1	18021	PUMP ADAPTER GASKET
6	1	18033	PUMP HANDLE
7	1	18034	5/8-11 JAM NUT
8	1	18126	3" CI PUMP SUB-ASSEMBLY
9	1	18129	KEYED CLAMP ASSY.
10	1	18200A	3" CI PUMP RESERVOIR, NEW
11	1	18500	BEARING PEDESTAL ASSY
12	1	UV15163	#114 O'RING, EPDM
13	10	V20018	3/8" LOCKWASHER
14	6	V20019	3/8" HEX NUT
15	1	12910	DECAL (N/S)
16	1	KK-57	WET SEAL WARNING TAG (N/S)

THIS DRAWING AND ALL INFORMATION CONTAINED THEREON ARE THE EXCLUSIVE PROPERTY OF BANJO CORPORATION.

UNLESS SPECIFICALLY NOTED, THIS DRAWING AND ITEMS SHOWN ON THIS DRAWING ARE SUBJECT TO CHANGE AT ANY TIME.

BANJO CORPORATION

150 BANJO DRIVE, CRAWFORDSVILLE, IN 47933
 WEB SITE: WWW.BANJOCORP.COM
 E-MAIL: SALES1@BANJOCORP.COM

DESCRIPTION
3" CI WET SEAL PUMP W/ BEARING PED.

PART NUMBER
301PBIW