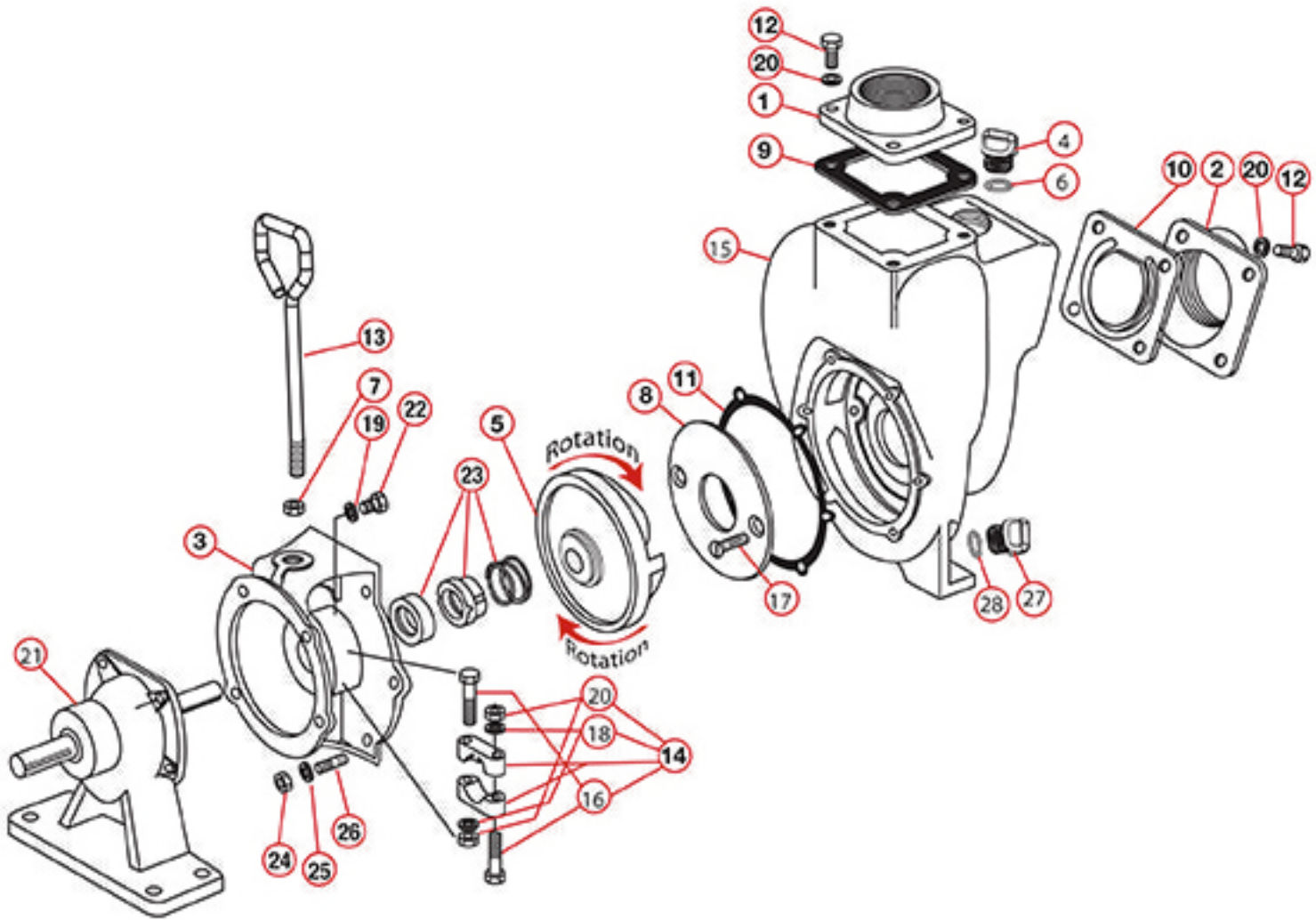
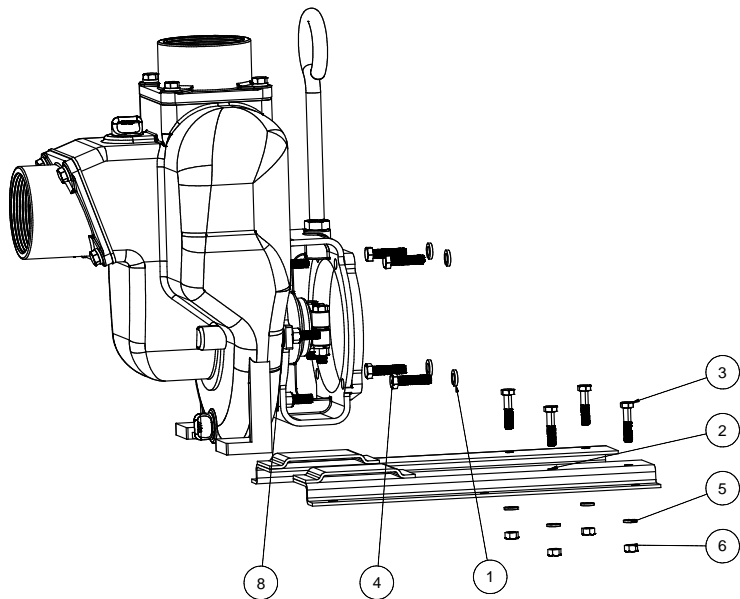
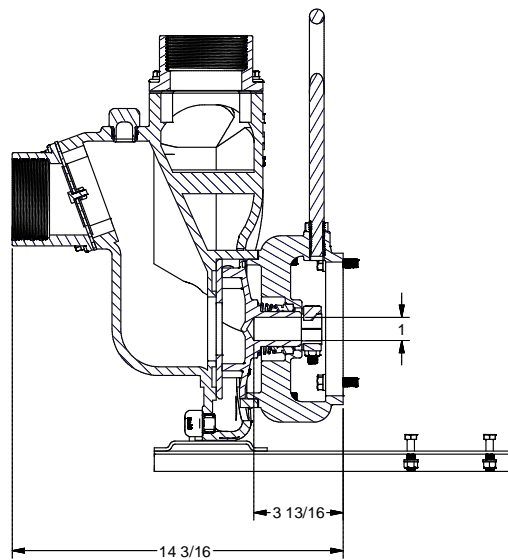
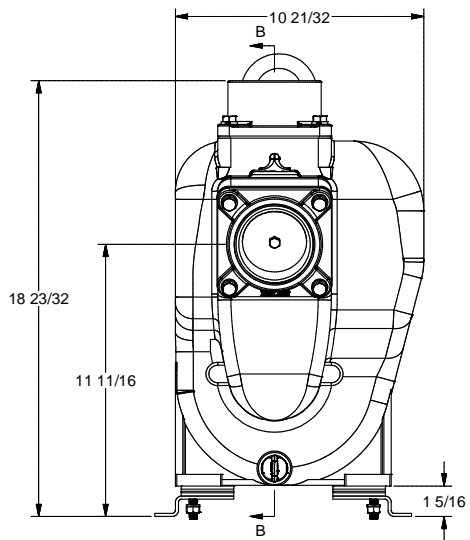


**Part Number : 300PO-SS**



Item	Part No.	Description	Qty.
1	18008SS	NPT Outlet Flange	1
2	18012SS	NPT Inlet Flange	1
3	18026SS	Adapter for Gas Engine	1
3	18048SS	SS C-Flange Adapter	1
4	13777	Plug	1
5	18023SS	1" SS Impeller & Drive Shaft for Gas Engine	1
5	18023-1.125SS	11/8" SS Impeller & Drive Shaft for Electric Motor	1
6	13778	O-Ring	1
7	18034	5/8" SS Jam Nut	1
8	18004SS	SS Wear Plate	1
9	18044	FKM (viton type) Outlet Gasket	1
10	18042	FKM (viton type)Gasket Check Valve Assembly	1
11	18021	Adapter Gasket	1
12	18010SS	3/8" - 16 x 11/8" SS Cap Screw HXHD	8
13	18033	Handle	1
14	18029	Clamp Assembly (Old Style)	1
14	18129	Clamp Assembly (New Style)	1
15	18001SS	SS Pump Housing	1
16	18030	3/8" -24 x 2¼" SS Bolt	2
17	18106SS	Wear Plate Flat Head Screw	2
18	V20018	3/8" Lock Washer	8
19	18032	3/8" x 24 SS Hex Nut	2
20	18504	1" Shaft	1
21	18500	Bearing Pedestal	1
22	18027	3/8" -16 x 1½" HHCS	1
23	18025SS	FKM (viton type) Seal Assembly	1
24	V20019	3/8" 16 SS Hex Nut	6
25	V20018	3/8" SS Lock Washer	6
26	18218	3/8" -16 x 3/8" -24 x 1½" SS?Stud	6
27	12777SS	Drain Plug Stainless Steel	1
28	UV15163	O-Ring	1



Parts List			
ITEM	QTY	PART NUMBER	DESCRIPTION
1	4	V20018	3/8" LOCKWASHER
2	1	18035	Z-RAIL (PAIR)
3	4	17034	5/16-18 X 1-1/2" HHCS
4	4	18027	3/8-16 X 1 1/2" HHCS
5	4	V10118	5/16" LOCKWASHER
6	4	V10119	5/16" HEX NUT
7	1	12910	DECAL (N/S)
8	1	300XPOSS	3" SS PUMP SUBASSEMBLY

THIS DRAWING AND ALL INFORMATION CONTAINED THEREON ARE THE EXCLUSIVE PROPERTY OF BANJO CORPORATION.

UNLESS SPECIFICALLY NOTED, THIS DRAWING AND ITEMS SHOWN ON THIS DRAWING ARE SUBJECT TO CHANGE AT ANY TIME.



**BANJO CORPORATION**  
 150 BANJO DRIVE, CRAWFORDSVILLE, IN 47933  
 WEB SITE: WWW.BANJOCORP.COM  
 E-MAIL: SALES1@BANJOCORP.COM

DESCRIPTION	3" SS PUMP ONLY
PART NUMBER	300PO-SS