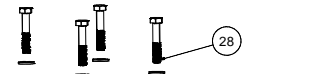
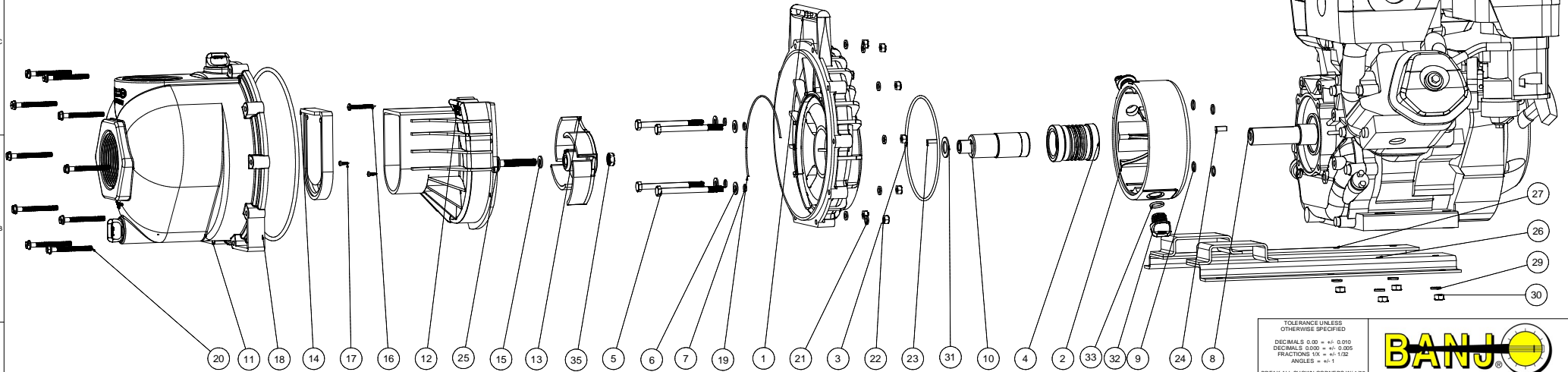


Parts List			
ITEM	QTY	PART NUMBER	DESCRIPTION
1	1	12703AW	3" WET SEAL REAR BRKT
2	1	12201W	3" WET SEAL RESERVOIR
3	1	13719	RESERVOIR O'RING
4	1	15035	MECH. SEAL ASSY.
5	4	12034	5/16-24 X 3 1/2 HHCS
6	8	12901	5/16" FLAT WASHER
7	4	12717	O'RING FOR BRKT SCREW
8	1	E13H	13 HP HONDA ENGINE
9	4	12709	MOTOR MT O'RING
10	1	13055	ADAPTER SHAFT
11	1	13712	3" PUMP BODY ASSY.
12	1	13702	VOLUTE
13	1	13772	IMPELLER
14	1	12705	CHECKVALVE
15	1	12774VA	IMPELLER BOLT GASKET
16	1	12900	#10 X 1 1/2" PPH SMS
17	2	12725	#6 X 1/2" PPH SMS
18	1	12719A	PUMP BODY O'RING
19	1	12754	O'RING SEGMENT
20	10	12720	1/4-20 X 2 1/2" SCREW
21	10	V07018	1/4" LOCKWASHER
22	10	V07019	1/4" HEX NUT
23	1	12902A	3/16" SQ. X 5/8" KEY
24	1	16901	1/4" SQ. X 3/4" KEY
25	1	13766	3/8-24 X 2 1/4" HFS
26	1	18135B	Z-RAIL
27	1	18135A	Z-RAIL
28	4	17029	5/16-18 X 1.75" HHCS
29	4	V10118	5/16" LOCK WASHER
30	4	V10119	5/16-18 HEX NUT
31	1	CV10175	GASKET
32	2	12777	1/2" DRAIN PLUG
33	2	UV15163	2-114 O'RING
34	1	12910	PUMP DECAL (N/S)
35	1	12775A	7/16-14 HEX NUT



TOLERANCE UNLESS OTHERWISE SPECIFIED
 DECIMALS 0.00 = +/- 0.010
 DECIMALS 0.000 = +/- 0.005
 FRACTIONS 1/8 = +/- 1/32
 ANGLES = +/- 1°

BREAK ALL SHOWN CORNERS W/ 1/32 R UNLESS OTHERWISE SPECIFIED

DRAWN	
CHECKED	7/11/2006
DATE	
MFG	
APPROVED	

BANJO CORPORATION
 BANJO CORPORATION
 150 BANJO DRIVE, CRAWFORDSVILLE, IN 47833

3" POLY WET SEAL PUMP

SIZE	DRWG TYPE	DRWG NO	REV
F	ENG	300PH13W	

SHEET 1 OF 1