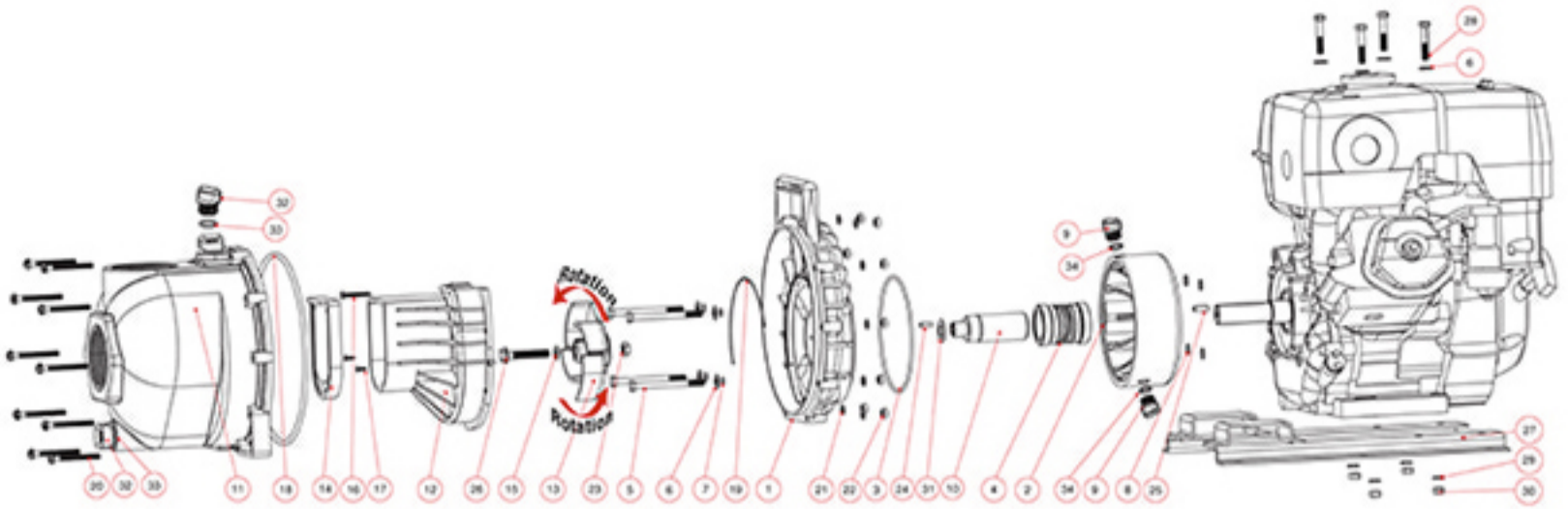
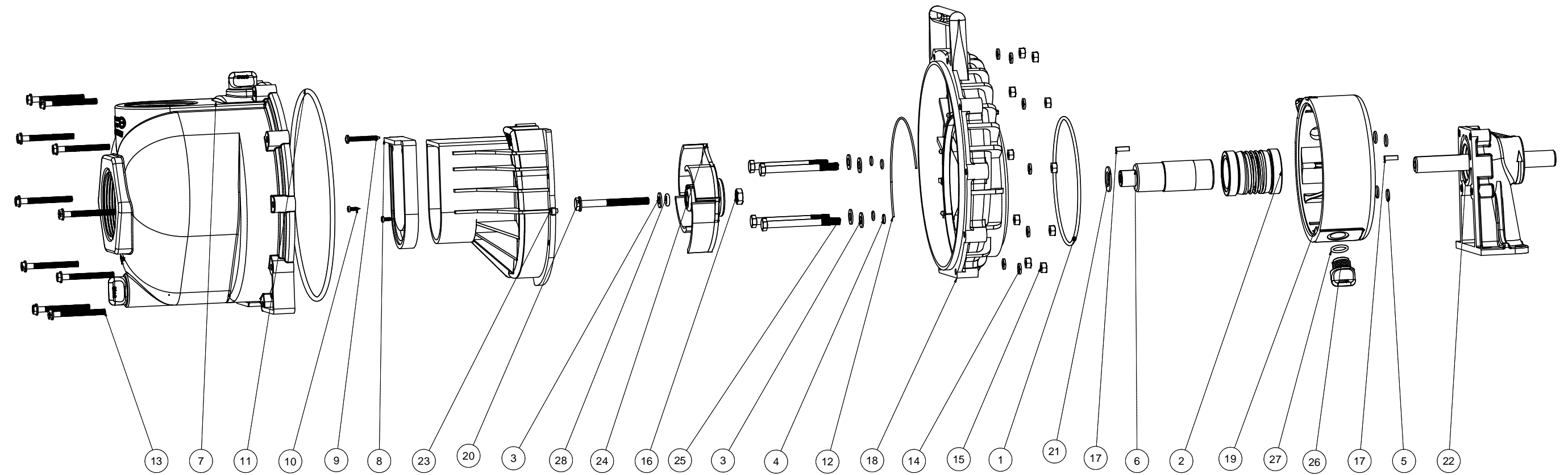
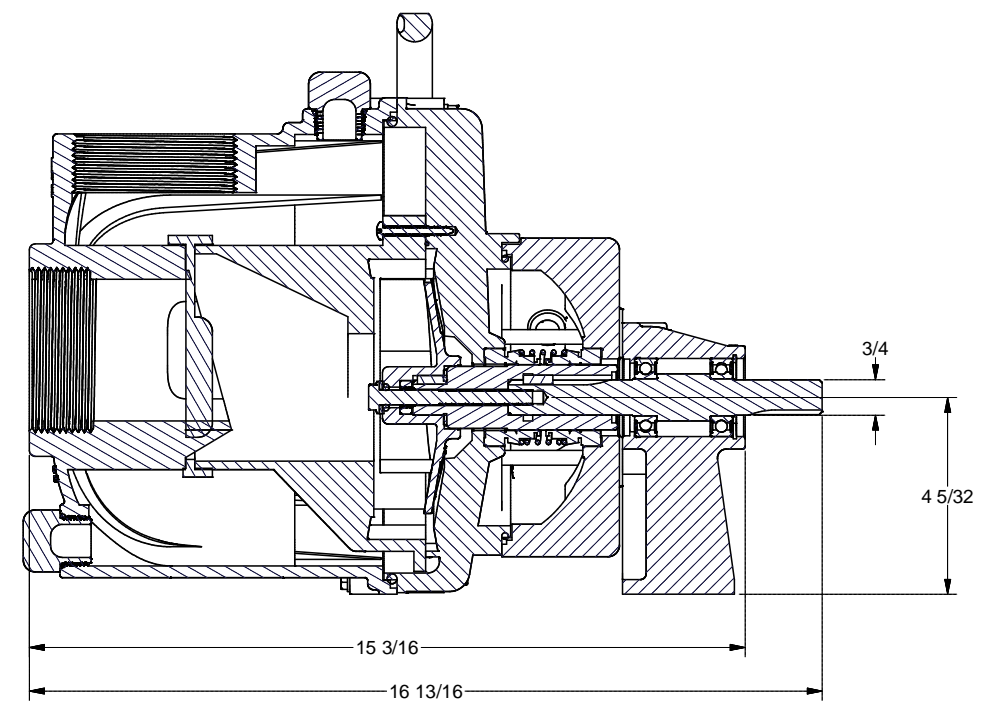
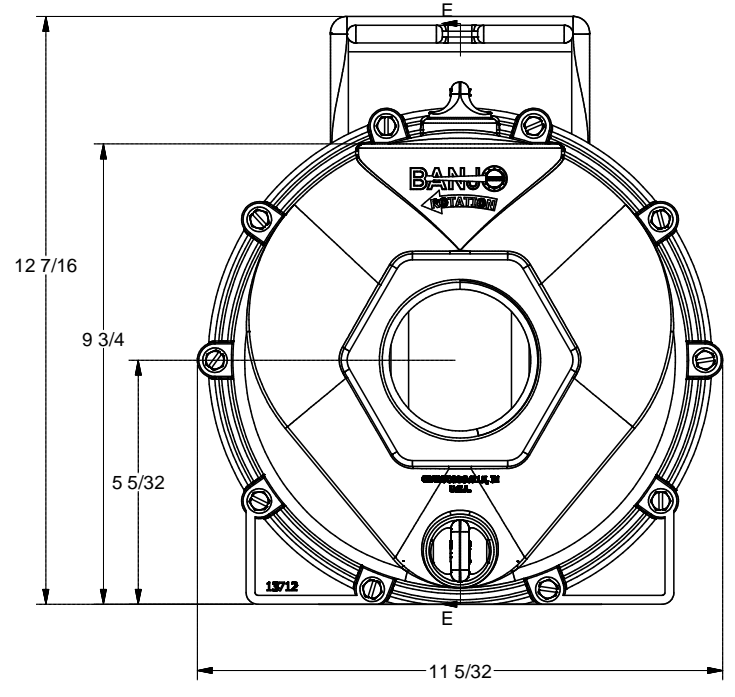


Part Number : 300PBW



Item	Part No.	Description	Qty.
1	12707W	Wet Seal Rear Bracket for 6 HP Honda® Engine & 6 HP Briggs & Stratton® Engine & Bearing Pedestal	1
2	12202W	Wet Seal Reservoir for 6 HP Honda® Engine, 6 HP Briggs & Stratton® Engine & Bearing Pedestal	1
3	13719	O-Ring	1
4	15035E	Mechanical Seal Assembly	1
5	12034	5/16" - 24 x 3 3/4" HHCS	4
6	12901	5/16" Flat Washer	8
7	12717	O-Ring for Bracket Screw	4
8	12709	O-Ring	4
9	12777	Drain Plug	2
10	12155	Adapter Shaft for 6 HP Honda® Engine, 6 HP Briggs & Stratton® Engine & Bearing Pedestal	1
11	13712	Body Assembly	1
12	13702	Volute	1
13	13772	Impeller	1
14	12705	Check Valve	1
15	12774VA	Impeller Bolt Gasket	1
16	12900	#10 x 1 1/2" PPH SMS 18-8 SS	1
17	12725	#6 x 1/2" PPH SMS 18-8 SS	1
18	12719A	Body O-Ring	1
19	12754	O-Ring Segment	1
20	12720	1/4" - 20 x 2 1/2" SI Ind HWHS	10
21	V07018	1/4" Lock Washer	10
22	V07019	1/4" - 20 Hex?Nut	10
23	12775A	7/16" -14 Hex Nut	1
24	12902A	3/16" SQ. x 5/8" Key	1
25	16901	1/4" SQ. 3/4" Key Stock	1
26	12766	5/16" - 24 x 3 3/4" HFS for 6 HP Honda® Engine & 6HP Briggs & Stratton® Engine & Bearing Pedestal	1
27	18135A	Z-Rail	1
27	18135B	Z-Rail	1
28	17029	5/16" - 18 x 1.75" HHCS	4
29	V10118	5/16" Lock Washer	4
30	V10119	5/16" - 18 UNC SS Hexnut	4
31	CV10175	Gasket	1
32	13777	Drain Plug	2
33	13778	O-Ring	2
34	UV15163	O-Ring	2

Parts List			
ITEM	QTY	PART NUMBER	DESCRIPTION
1	1	13719	#256 O-RING
2	1	15035	SEAL ASSY.
3	5	12901	5/16" FLAT WASHER
4	4	12717	#11 O-RING
5	4	12709	#13 O-RING
6	1	12155	ADAPTER SHAFT
7	1	13712	3" POLY PUMP BODY ASSY.
8	1	12705	CHECKVALVE
9	1	12900	#10 X 1 1/2" PPH SMS
10	2	12725	#6 X 1/2" PPH SMS
11	1	12719A	#375 O-RING
12	1	12754	O-RING SEGMENT
13	10	12720	1/4-20 X 2 1/2" SL IND HWHS
14	10	V07018	1/4" LOCKWASHER
15	10	V07019	1/4-20 HEX NUT
16	1	12775A	7/16-14 HEX NUT
17	2	12902A	3/16" SQ. X 5/8" KEY
18	1	12707W	2" W.S. REAR BRACKET
19	1	12202W	2" POLY RESERVOIR
20	1	12766	5/16-24 X 3 1/4" HFS
21	1	CV10175	ADAPTER GASKET
22	1	12882A	BEARING PEDESTAL
23	1	13702	3" POLY PUMP VOLUTE
24	1	13772	3" POLY PUMP IMPELLER
25	4	13034	5/16-24 X 3 1/2" HHCS
26	2	12777	1/2" DRAIN PLUG
27	2	UV15163	2-114 O-RING
28	1	A203V	#203 O-RING



THIS DRAWING AND ALL INFORMATION CONTAINED THEREON ARE THE EXCLUSIVE PROPERTY OF BANJO CORPORATION.

UNLESS SPECIFICALLY NOTED, THIS DRAWING AND ITEMS SHOWN ON THIS DRAWING ARE SUBJECT TO CHANGE AT ANY TIME.

BANJO CORPORATION
 150 BANJO DRIVE, CRAWFORDSVILLE, IN 47933
 WEB SITE: WWW.BANJOCORP.COM
 E-MAIL: SALES1@BANJOCORP.COM

DESCRIPTION
**3" POLY WET SEAL PUMP W/
 BEARING PEDESTAL**

PART NUMBER
300PBW