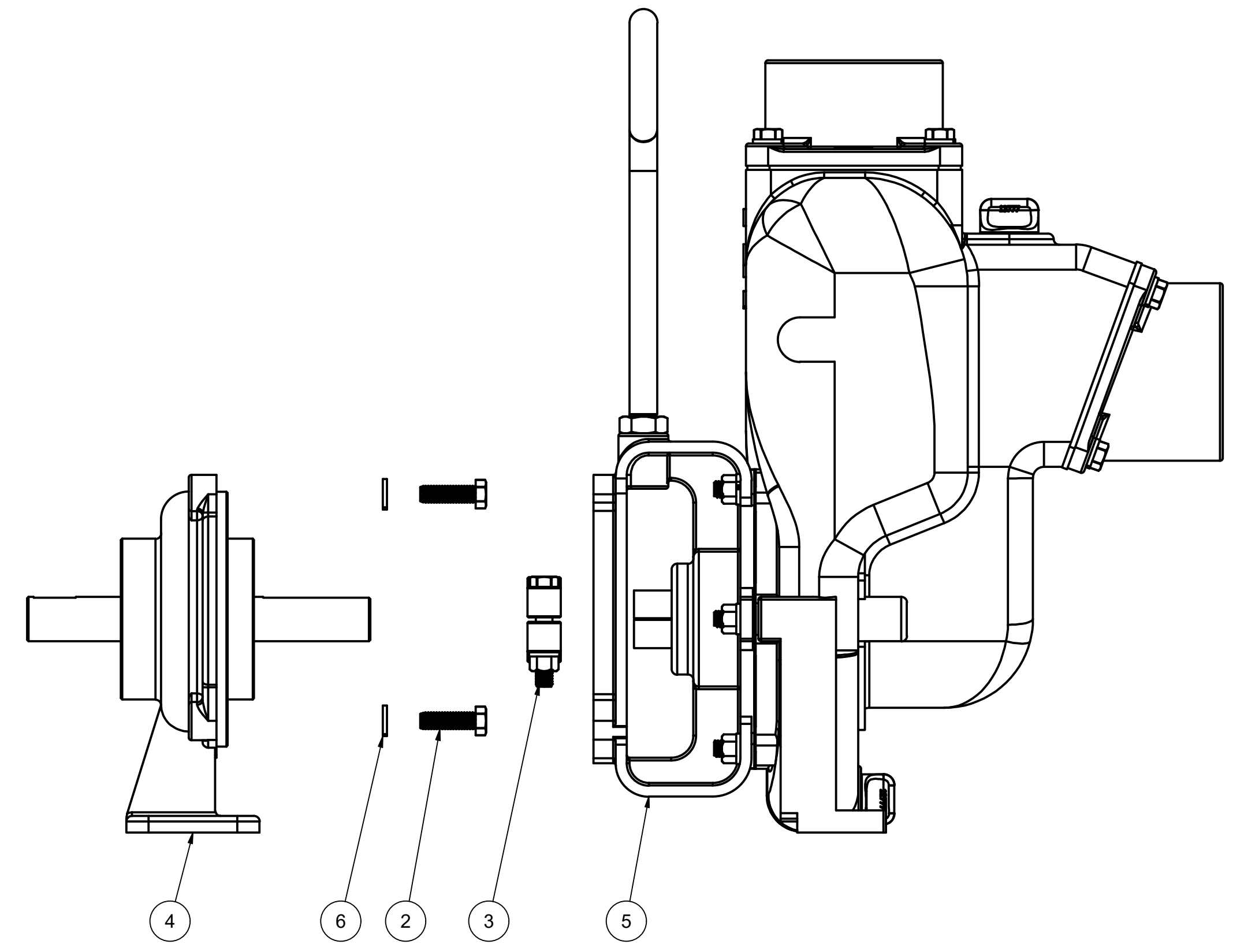
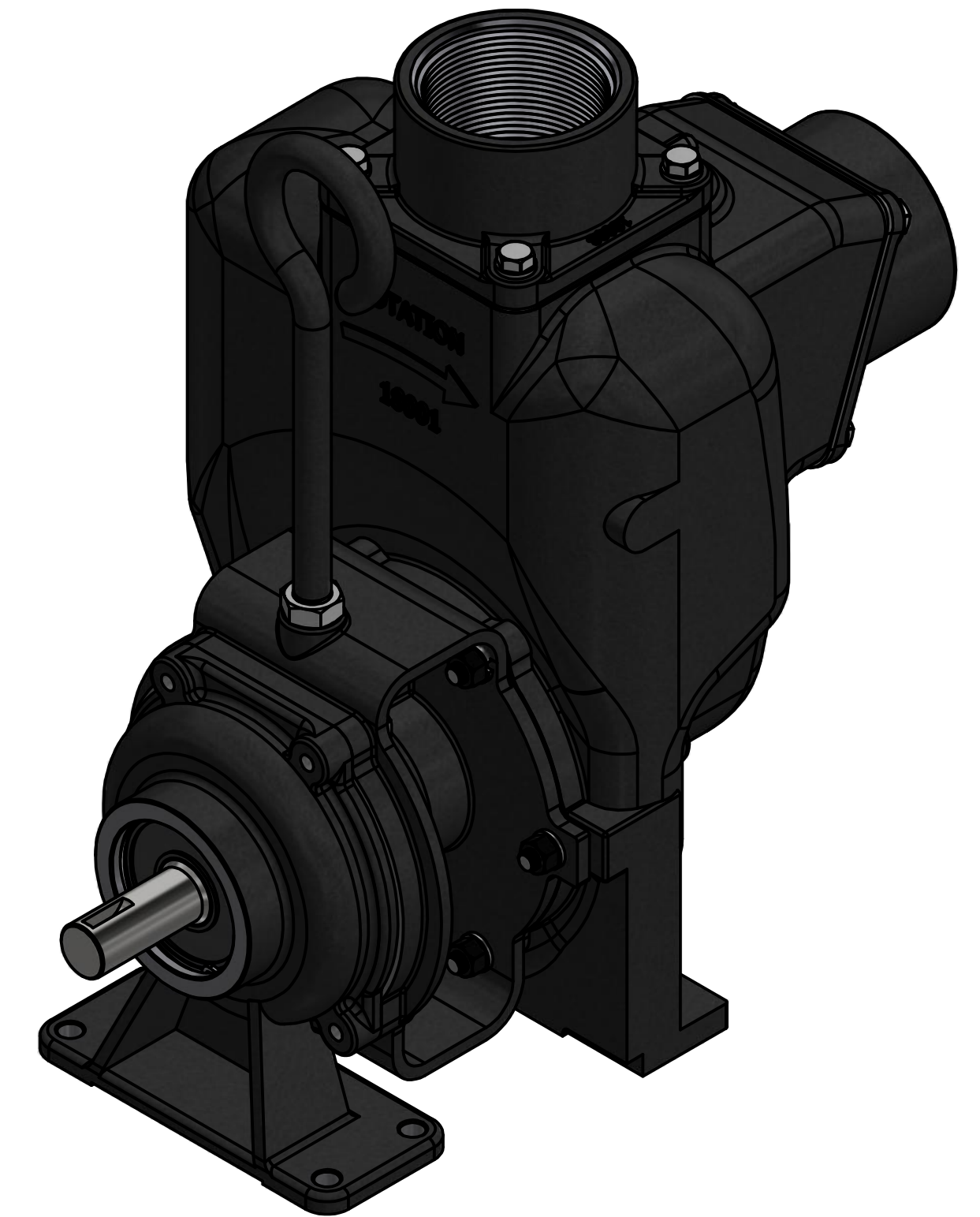
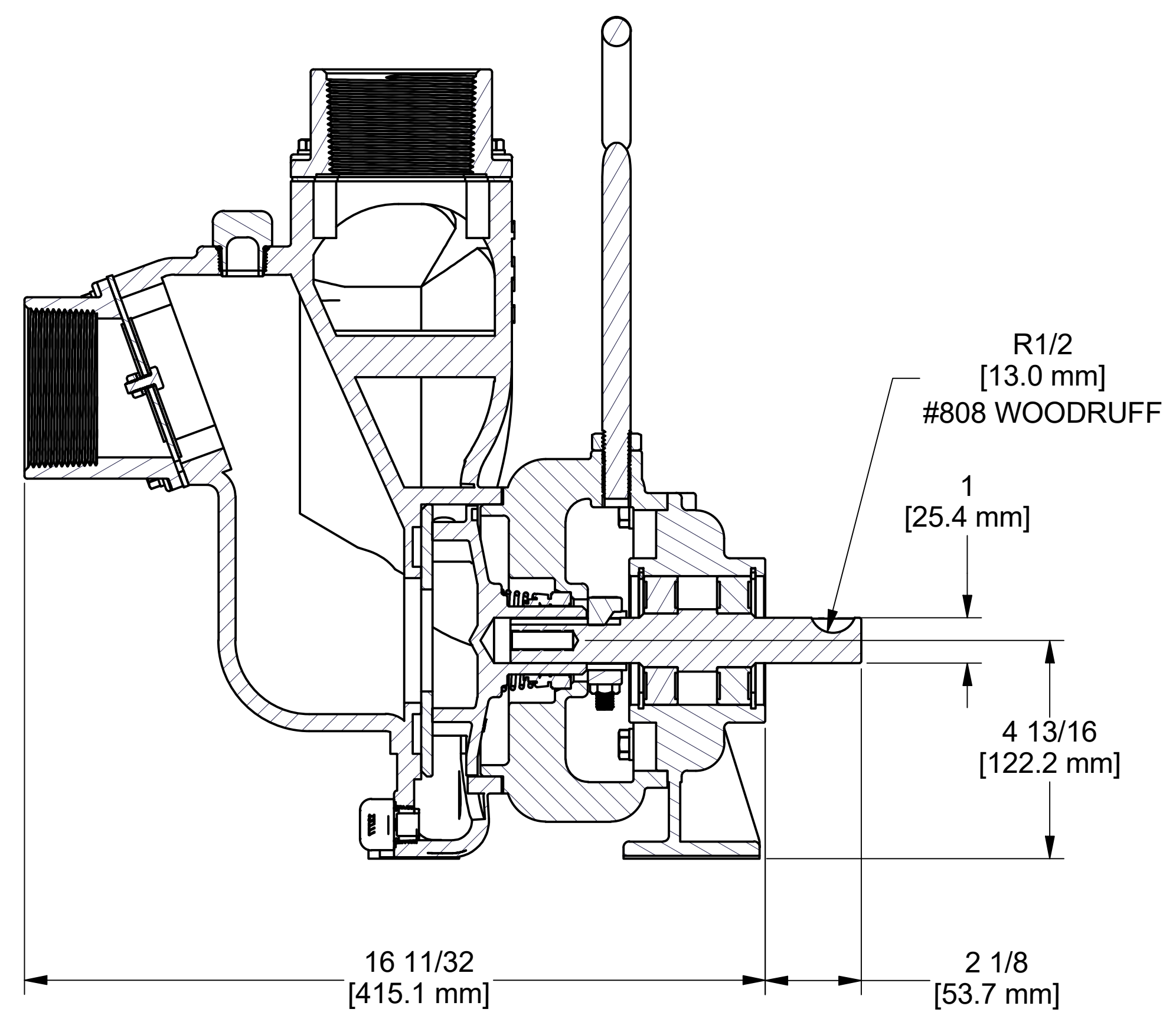
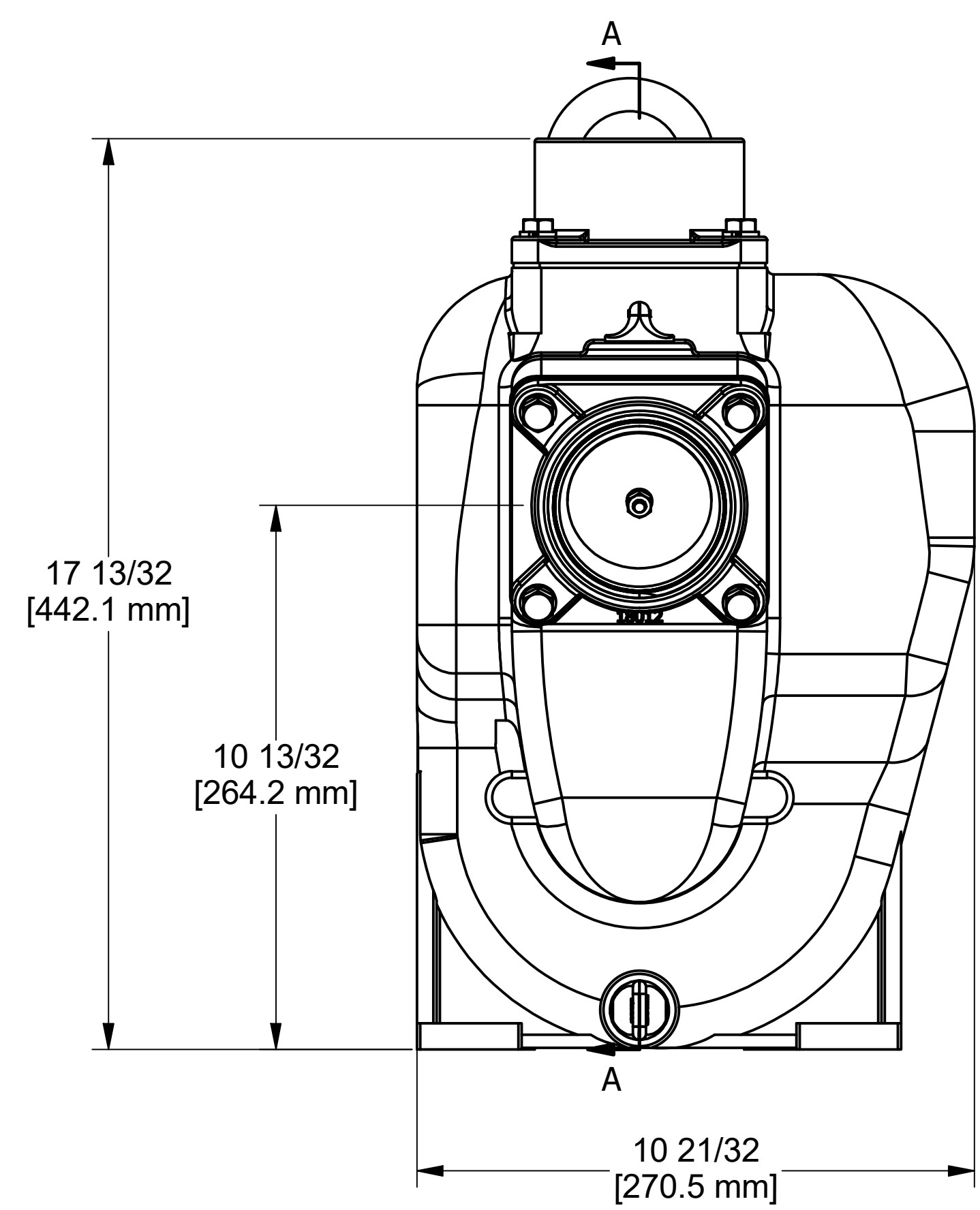



PARTS LIST			
ITEM	QTY	PART NUMBER	DESCRIPTION
1	1	12910	DECAL (N/S)
2	4	17704	3/8-16 X 1 1/4" HHCS
3	1	18129	KEYED CLAMP ASSY.
4	1	18500	BEARING PEDESTAL ASSY
5	1	300XPOI	3" CI PUMP SUB-ASSY
6	4	V20018	3/8" LOCKWASHER



THIS DRAWING AND ALL INFORMATION CONTAINED THEREON ARE THE EXCLUSIVE PROPERTY OF BANJO CORPORATION.

UNLESS SPECIFICALLY NOTED, THIS DRAWING AND ITEMS SHOWN ON THIS DRAWING ARE SUBJECT TO CHANGE AT ANY TIME.



BANJO CORPORATION
 150 BANJO DRIVE, CRAWFORDSVILLE, IN 47933
 WEB SITE: WWW.BANJO.CORP.COM
 E-MAIL: BANJOSALES@IDEXCORP.COM

DESCRIPTION
3" CI PUMP W/ BEARING PEDESTAL

PART NUMBER
300PBI