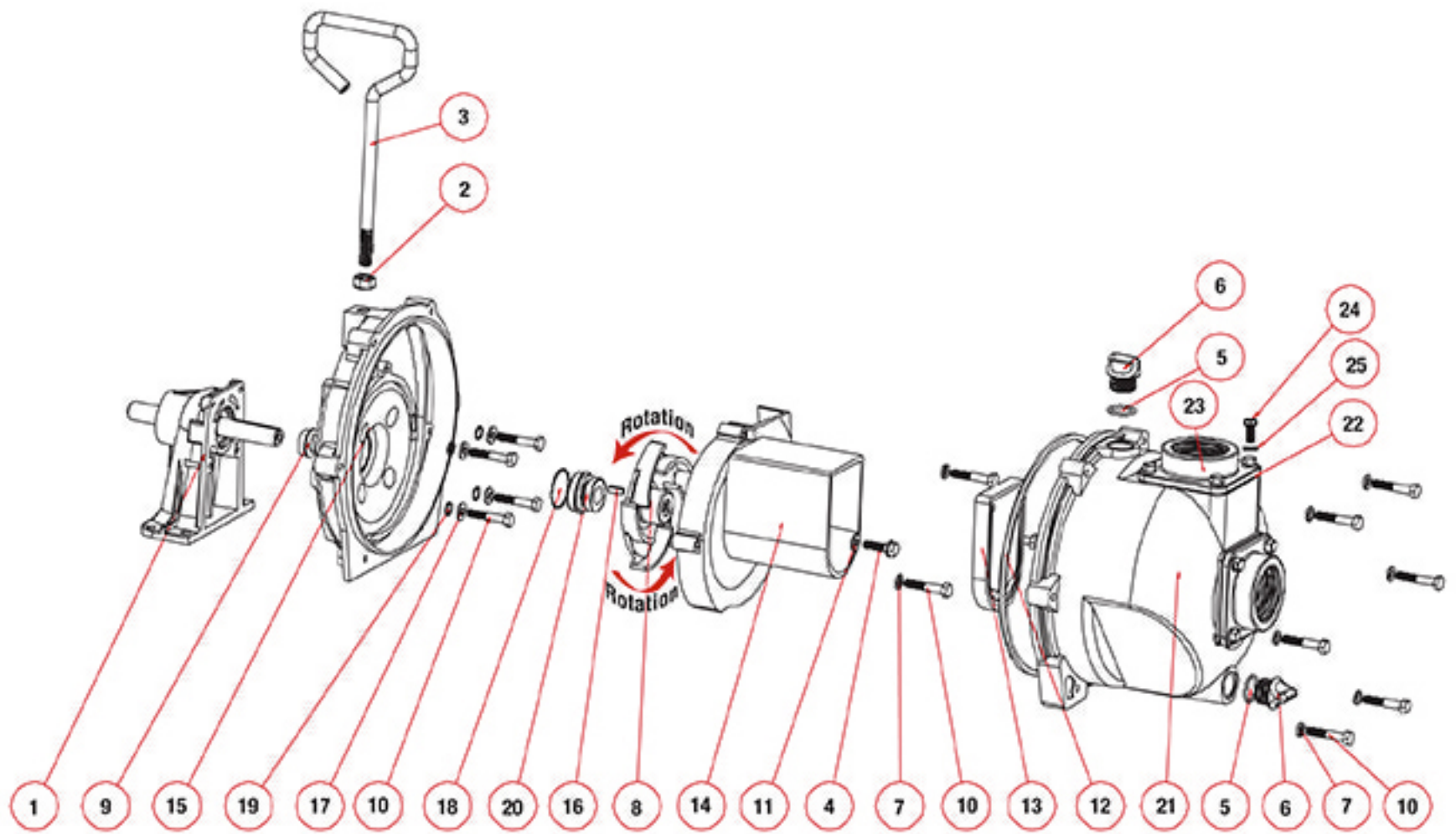
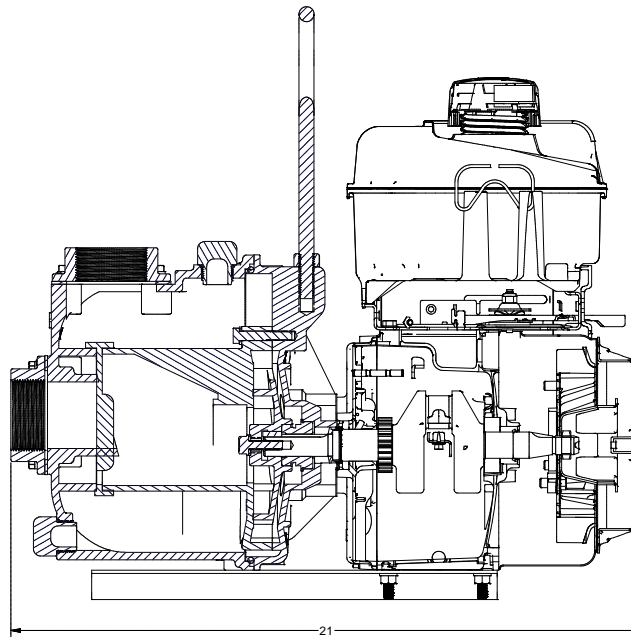
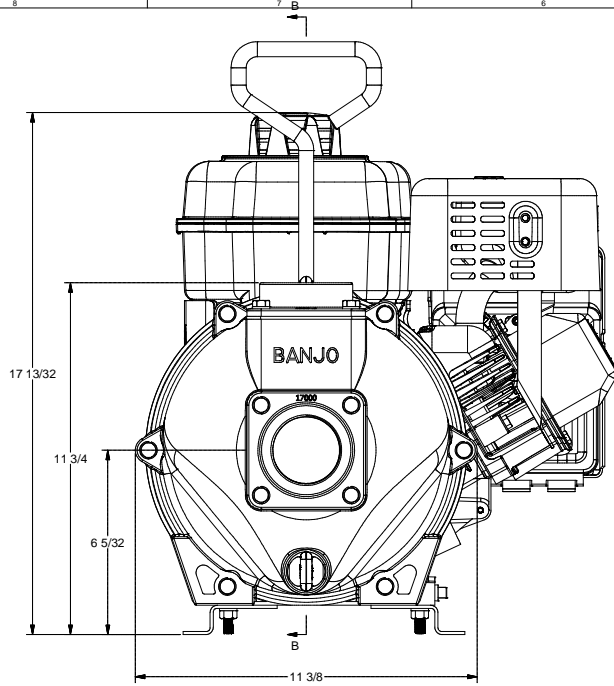


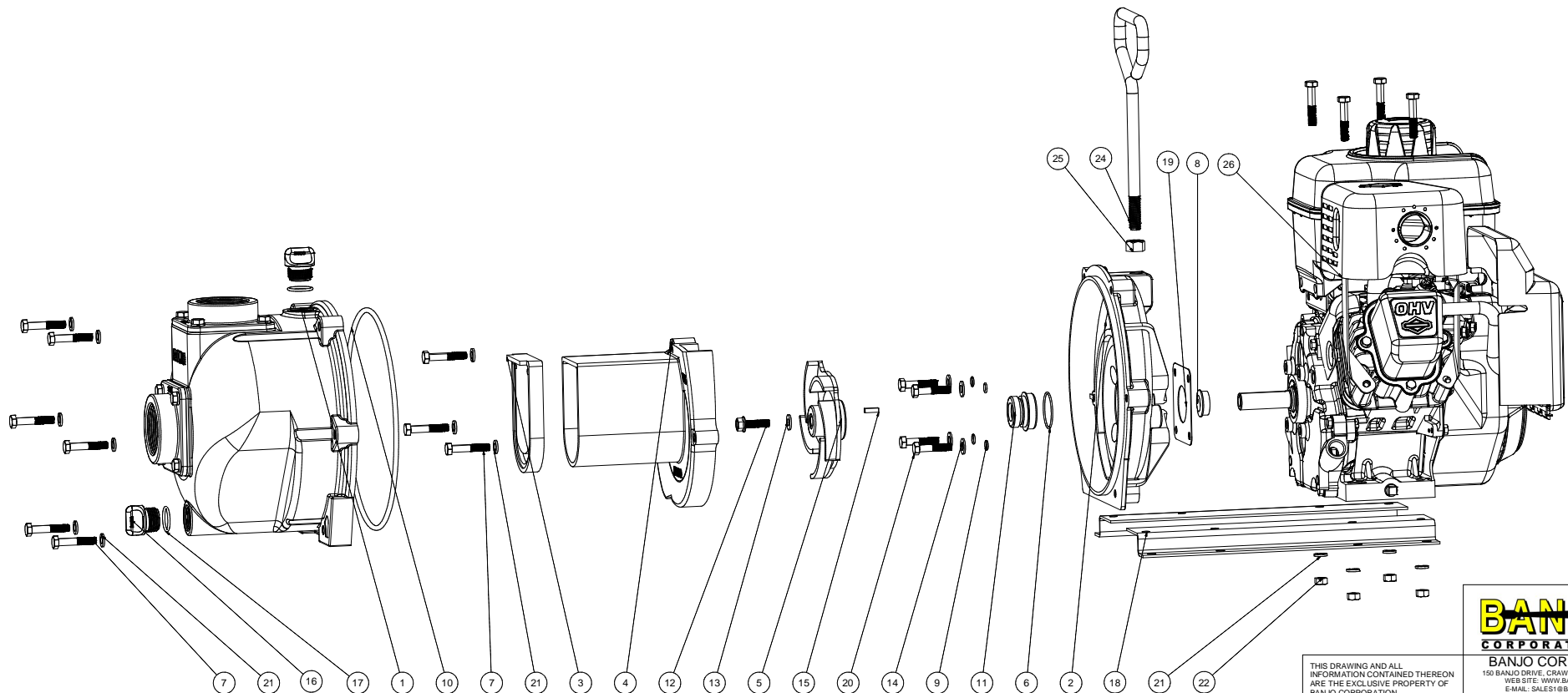
Part Number : 222PI6PRO



Item	Part No.	Description	Qty.
4	12765A	5/16" - 24 x 1.12 Impeller Bolt	1
5	13778	O-Ring	2
6	13777	Prime/Drain Plug	2
7	V10118	5/16" Lock Washer	9
8	15772	5 Vane Impeller	1
9	12716	Pump Slinger	1
10	12715A	5/16" - 24 x 1.75 HHCS	13
11	12774VA	Impeller Bolt Gasket	1
12	12719A	Body O-Ring	1
13	12705	Check?Valve	1
14	15702	Volute	1
15	15703	Rear Bracket	1
16	12902A	3/16" sq x 5/8" Key	1
17	12901	5/16" Flat Washer	4
18	12710	O-Ring	1
19	12717	O-Ring	4
20	12713V	Seal Assembly	1
20	12713SD	Severe Duty Seal	1
21	15712	Body	1
22	17013	Flange Gasket	2
23	17000	Threaded Flange	2
24	17019	5/16" - 18 x 0.75 HHCS	8
25	V10118	5/16" Lock Washer	8
	12099	7/16"-14 x 1.25" HHCS	1
	15751	Bracket Shim	1
	15752	Impeller Shim	1
	17033	Z-Rails	
	17034	5/16" - 18 x 1¼" Zinc Plated	4
	V10119	5/16" -18 Hex Nut	4
	V10118	5/16" Lock Washer	4
	15000	Repair Kit(Items 5, 8, 11-13, 18-20, 12099, 15751 & 15752)	1
	15000V	FKM (viton type) Repair Kit	1
	15999	Seal Kit (Items 5, 11-13, 18-20, 12099, 15751 & 15752)	1
	15999V	FKM?(viton type) Seal Kit	1
2	17010	½" Jam Nut	1
3	15022	Handle	1



Parts List			
ITEM	QTY	PART NUMBER	DESCRIPTION
1	1	15712	2" CI PUMP BODY ASSY
2	1	15703	2" CI REAR BRACKET
3	1	12705	CHECKVALVE
4	1	15702	2" CI PUMP VOLLUTE
5	1	15772	5 VANE IMPELLER
6	1	12710	#029 O'RING
7	13	12715A	5/16-24 X 1 3/4" HHCS
8	1	12716	PUMP SLINGER
9	4	12717	#11 O'RING
10	1	12719A	#376 O'RING
11	1	12733V	MECH SEAL ASSY - FKM
12	1	12765A	5/16-24 X 1 1/8" HFS
13	1	12774VA	IMPELLER BOLT GASKET
14	4	12901	5/16" FLAT WASHER
15	1	12902A	3/4" SQ. X 5/8" KEY
16	2	13777	3/4" DRAIN PLUG
17	2	13778	2-119 O'RING
18	2	17033	Z-RAIL
19	1	15751	REAR BRACKET SHIM
20	4	17034	5/16-18 X 1-1/2" HHCS
21	13	V10118	5/16" LOCKWASHER
22	4	V10119	5/16" HEX NUT
23	1	12910	DECAL (N/S)
24	1	15022	2" PUMP HANDLE
25	1	17010	1/2-13 HEX NUT
26	1	E6.5PRO	6.5 HP B&S ENGINE



THIS DRAWING AND ALL INFORMATION CONTAINED THEREON ARE THE EXCLUSIVE PROPERTY OF BANJO CORPORATION.

UNLESS SPECIFICALLY NOTED, THIS DRAWING AND ITEMS SHOWN ON THIS DRAWING ARE SUBJECT TO CHANGE AT ANY TIME.



BANJO CORPORATION
 150 BANJO DRIVE, CRAWFORDSVILLE, IN 47933
 WEB SITE: WWW.BANJOCORP.COM
 E-MAIL: SALES1@BANJOCORP.COM

DESCRIPTION: 2" CI PUMP W/ 6.5HP B&S INTEK PRO ENGINE
 PART NUMBER: 222PI6PRO