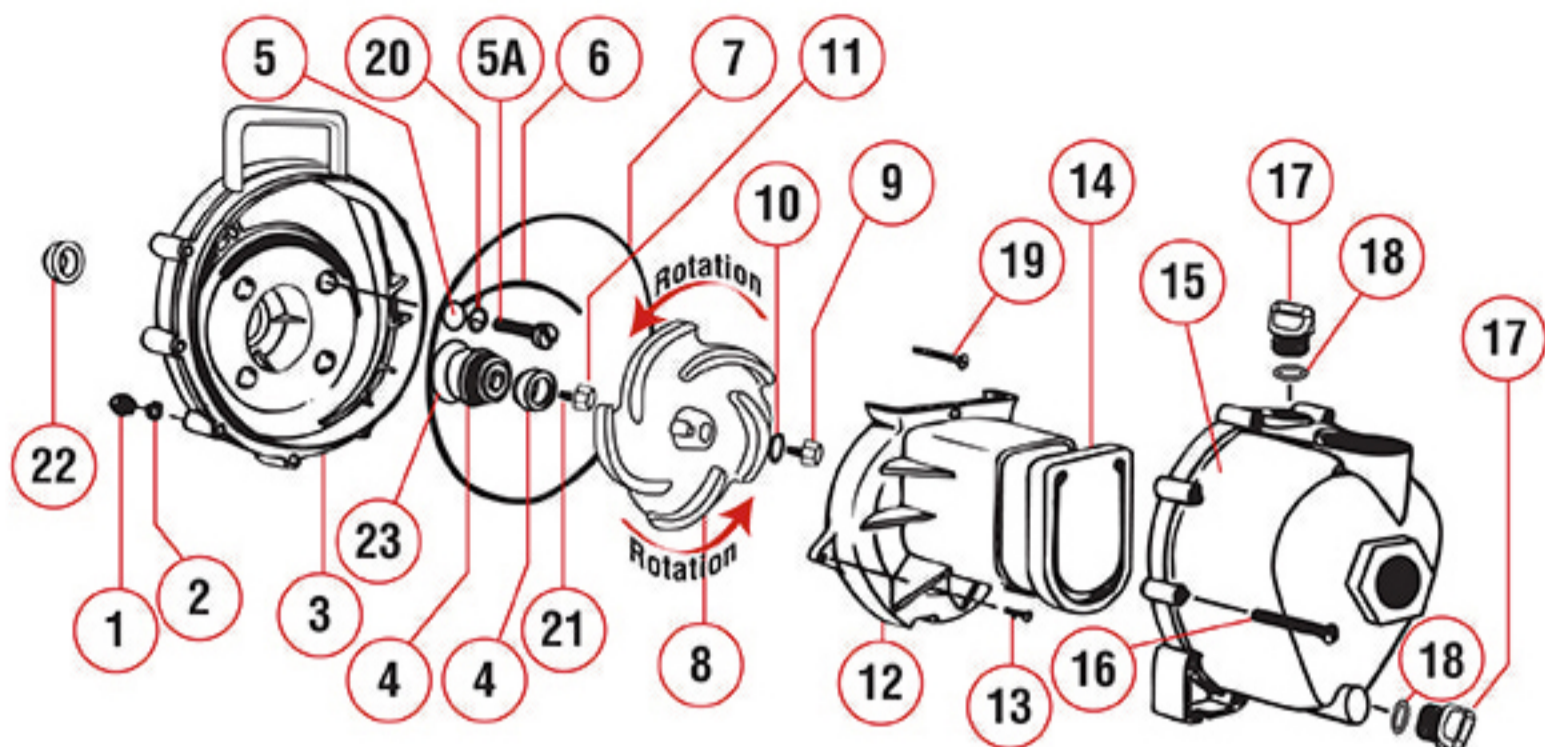
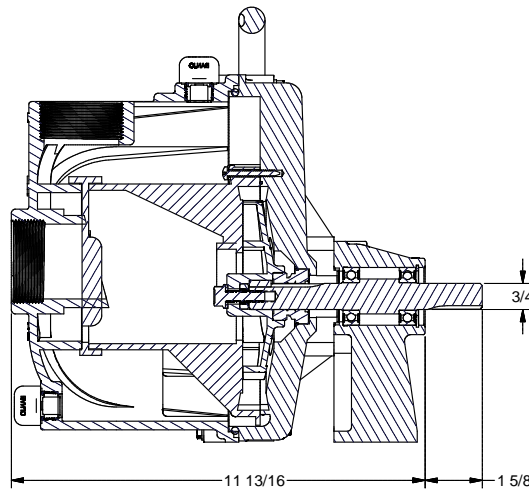
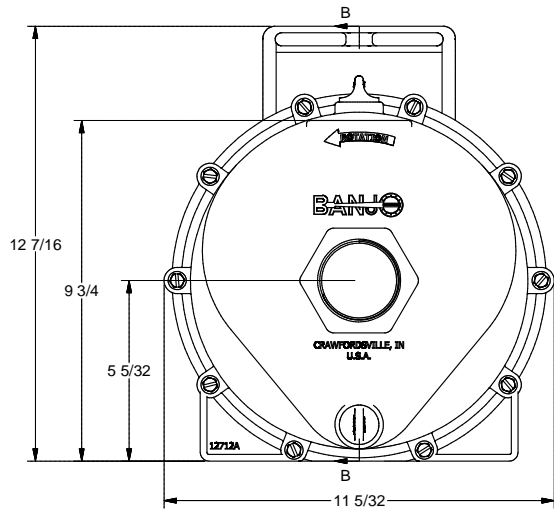


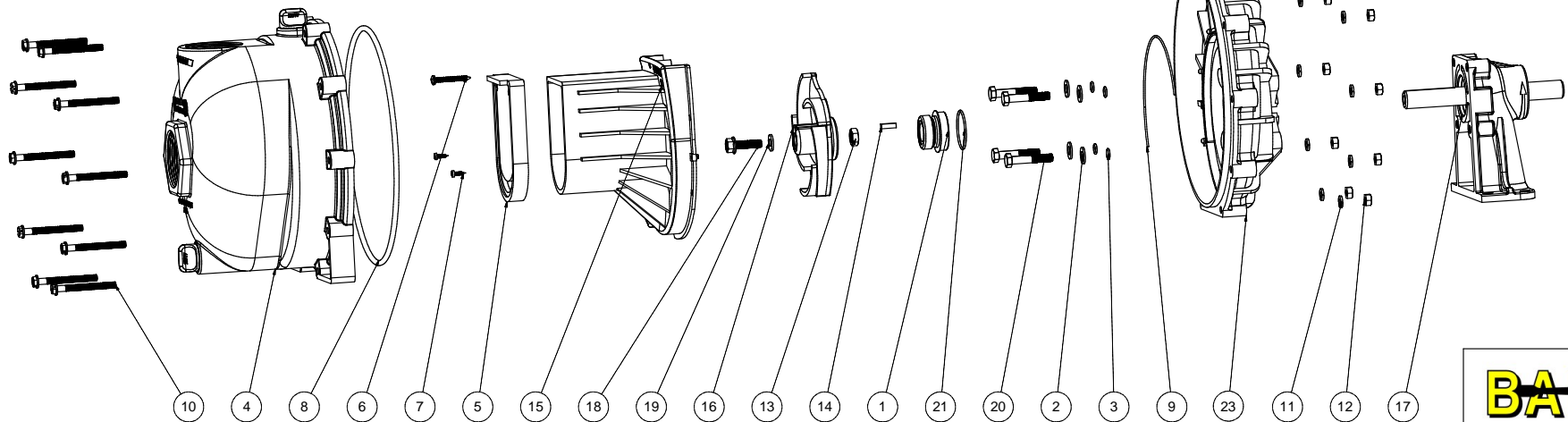
**Part Number : 205PB**



Item	Part No.	Description	Qty.
1	V07019	SS Body Nuts	10
2	V07018	SS Lock Washers	10
3	12703A	Poly Pump Rear Bracket	1
4	12713	Seal Assembly	1
5	12717	O-Ring for Screw Head	4
	12715A	SS Bracket Screws	4
6	12754	O-Ring Segment	1
7	12719A	Body O-Ring	1
8	12772	5 Vane Impeller	1
9	12765A	SS?Impeller Bolt	1
10	12774VA	Impeller Bolt Gasket	1
11	12775A	Impeller Hex Nut	1
12	12702A	Poly Pump Volute	1
13	12725	SS?Volute Screws	2
14	12705	Check Valve	1
15	12712A	Body Assembly	1
16	12720	SS ?Body Screws	10
17	12777	Prime/Drain Plug	2
18	UV15163	Prime/Drain Plug O-Ring	2
19	12900	SS?Upper Volute?Screw	4
20	12901	SS Rear Bracket Washer	4
21	12902A	Impeller Key	1
22	12716	Poly Pump Slinger	1
23	12710	O-Ring for Seal Assembly	1
	12882A	Bearing Pedestal	1
	12099	7/16"-14 x 1.25" HHCS	1
	12000A	5 Vane Impeller Repair Kit (Items 4-8, 10, 14, 18, 22, 23 & 12099)	1
	12999A	Pump Seal/O-Ring Kit (Items 4-7, 10, 18, 22, 23 & 12099)	1



Parts List			
ITEM	QTY	PART NUMBER	DESCRIPTION
1	1	12733	MECH. SEAL ASSY.
2	4	12901	5/16" FLAT WASHER
3	4	12717	#11 O'RING
4	1	12712A	2" PUMP BODY ASSY
5	1	12705	CHECKVALVE
6	1	12900	#10 X 1 1/2" PPH SMS
7	2	12725	#6 X 1/2" PPH SMS
8	1	12719A	#375 O'RING
9	1	12754	O'RING SEGMENT
10	10	12720	1/4-20 X 2 1/2" SL IND HWHS
11	10	V07018	1/4" LOCKWASHER
12	10	V07019	1/4-20 HEX NUT
13	1	12775A	7/16-14 HEX NUT
14	1	12902A	3/16" SQ. X 5/8" KEY
15	1	12702A	2" POLY PUMP VOLUTE
16	1	12772	IMPELLER
17	1	12882A	BEARING PEDESTAL
18	1	12765A	5/16-24 X 1 1/8" HFS
19	1	12774VA	IMPELLER BOLT GASKET
20	4	12715A	5/16-24 X 1 3/4" HHCS
21	1	12710	#029 O'RING
22	1	12910	DECAL (N/S)
23	1	12703A	POLY PUMP REAR BRACKET



THIS DRAWING AND ALL INFORMATION CONTAINED THEREON ARE THE EXCLUSIVE PROPERTY OF BANJO CORPORATION.

UNLESS SPECIFICALLY NOTED, THIS DRAWING AND ITEMS SHOWN ON THIS DRAWING ARE SUBJECT TO CHANGE AT ANY TIME.

**BANJO CORPORATION**  
 150 BANJO DRIVE, CRAWFORDSVILLE, IN 47933  
 WEB SITE: WWW.BANJOCORP.COM  
 E-MAIL: SALES1@BANJOCORP.COM

DESCRIPTION:  
**2" POLY PUMP W/ BEARING PED. & 5 VANE IMP.**

PART NUMBER:  
**205PB**