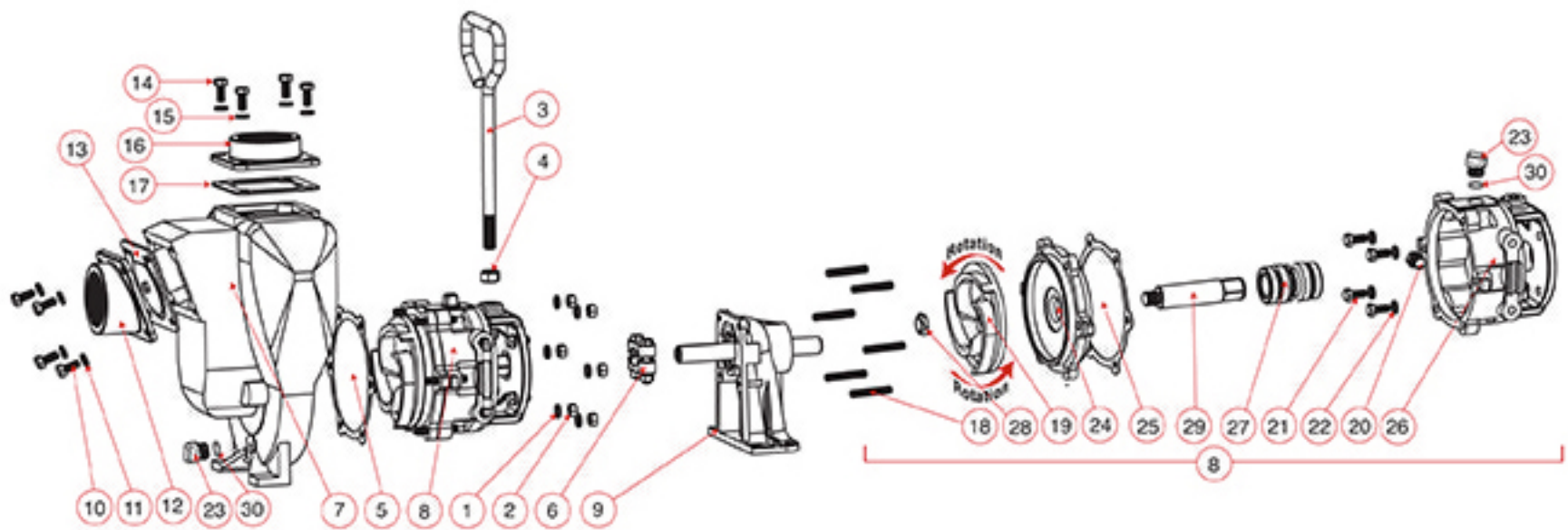
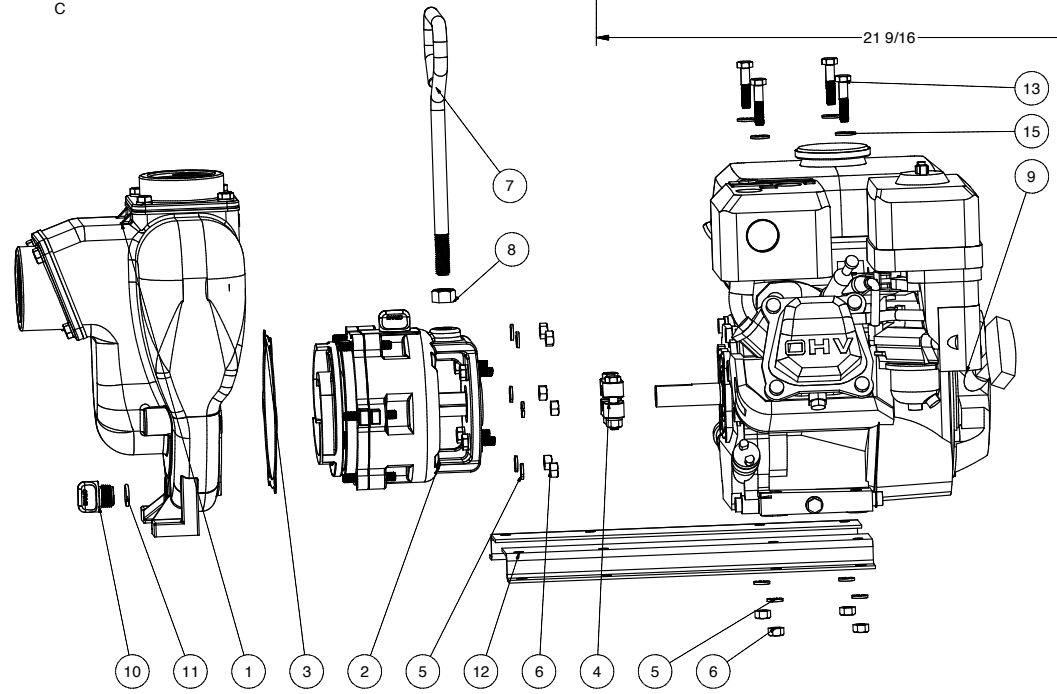
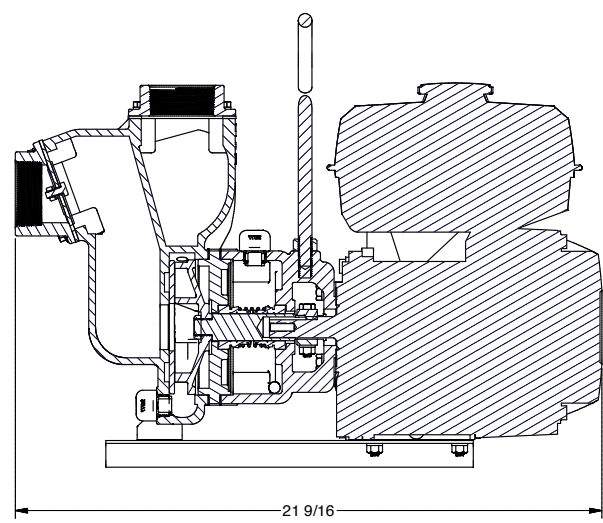
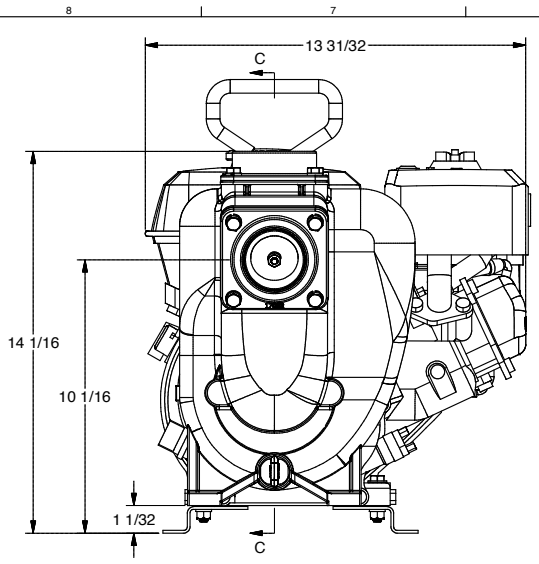


## Part Number : 201PIH5W



Item	Part No.	Description	Qty.
1	V10118	5/16" Lock Washer	6
2	V10119	5/16" -18 Hex Nut	6
3	15022	Handle	1
4	17010	½" Hex Nut	1
5	17018	Gasket Adapter	1
6	17123	5/8" Clamp, ¾" Shaft?Assembly Keyed	1
7	17226	Pump Housing	1
8	17200A	Wet Seal Assembly	1
9	12882A	Bearing Pedestal	1
10	17019	5/16"-18 x ¾" HHCS	4
11	V10118	5/16" Lock Washer	4
12	17002	Inlet Flange	1
13	17016	EPDM Check Valve Gasket Assembly	1
14	17019	5/16" -18 x ¾" HHCS	4
15	V10118	5/16" Lock Washer	4
16	17000	Outlet Flange	1
17	17013	EPDM?Outlet Gasket	1
18	17242	Housing Stud	6
19	17208	Impeller	1
20	17032	Pipe Plug	1
21	17019	5/16"-18 x ¾" Cap Screw	4
22	V10118	5/16" Lock Washer	4
23	12777	Fill Plug	2
24	17202	Cover Plate	1
25	17018	Gasket Adapter	1
26	17201A	Reservoir	1
27	17235	FKM (viton type) Mechanical Seal Assembly	1
28	17009B	5/8" Impeller Nut	1
29	17206A	Adapter Shaft	1
30	UV15163	O-Ring	2



Parts List			
ITEM	QTY	PART NUMBER	DESCRIPTION
1	1	17226	2" WET SEAL PUMP HOUSING SUB-ASSY
2	1	17200A	2" CI WET SEAL ASSY, NEW
3	1	17018	PUMP ADAPTER GASKET
4	1	17123	CI PUMP KEYED CLAMP
5	10	V10118	5/16" LOCKWASHER
6	10	V10119	5/16" HEX NUT
7	1	15022	2" PUMP HANDLE
8	1	17010	1/2-13 HEX NUT
9	1	E5H	5.5 HP HONDA
10	1	12777	1/2" DRAIN PLUG
11	1	UV15163	2-114 O'RING
12	1	17033	Z-RAIL (PAIR)
13	4	17034	5/16-18 X 1-1/2" HHCS
14	1	12910	DECAL (N/S)
15	4	12901	5/16" FLAT WASHER

THIS DRAWING AND ALL INFORMATION CONTAINED THEREON ARE THE EXCLUSIVE PROPERTY OF BANJO CORPORATION.

UNLESS SPECIFICALLY NOTED, THIS DRAWING AND ITEMS SHOWN ON THIS DRAWING ARE SUBJECT TO CHANGE AT ANY TIME.

**BANJO CORPORATION**  
 150 BANJO DRIVE, CRAWFORDSVILLE, IN 47933  
 WEB SITE: WWW.BANJOCORP.COM  
 E-MAIL: SALES1@BANJOCORP.COM

DESCRIPTION:  
**2" CI WET SEAL PUMP W/ 5.5 HP HONDA**

PART NUMBER  
**201PIH5W**