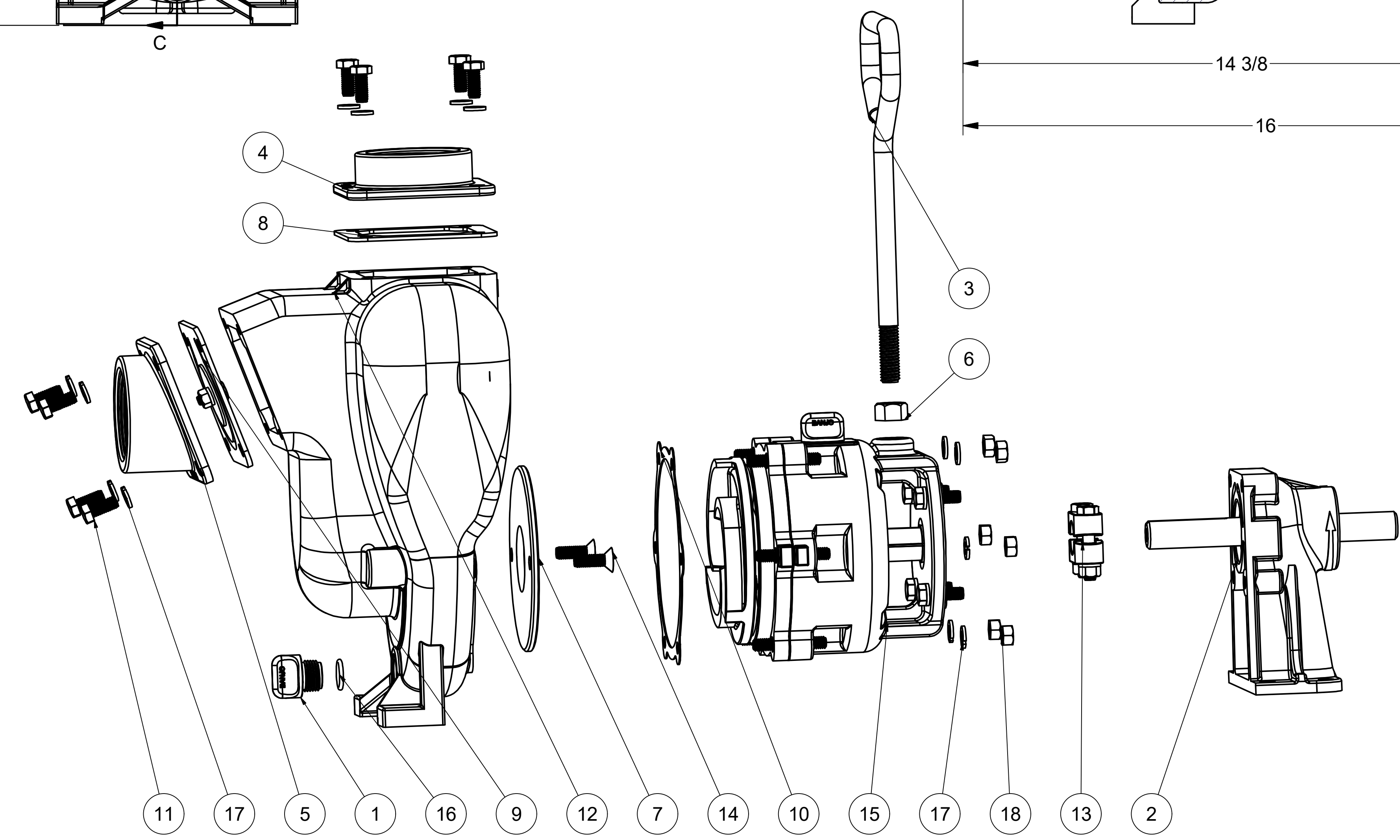


Parts List			
ITEM	QTY	PART NUMBER	DESCRIPTION
1	1	12777SS	1/2" DRAIN PLUG
2	1	12882A	BEARING PEDESTAL
3	1	15022	2" PUMP HANDLE
4	1	17000SS	2" OUTLET FLANGE, SS
5	1	17002SS	2" INLET FLANGE, SS
6	1	17010	1/2-13 HEX NUT
7	1	17011SS	WEAR PLATE
8	1	17014	OUTLET FLANGE GASKET, FKM
9	1	17017	CI PUMP CHECK VALVE ASSY
10	1	17018	PUMP ADAPTER GASKET
11	8	17019	5/16-18 X 3/4" HHCS
12	1	17026SSX	2" PUMP HOUSING
13	1	17123	CI PUMP KEYED CLAMP
14	2	17130SS	5/16-18 X 1" FHSCS
15	1	17200ASS	2" SS WET SEAL ASSY, NEW
16	1	UV15163V	#114 O'RING, FKM
17	14	V10118	5/16" LOCKWASHER
18	6	V10119	5/16" HEX NUT
19	1	12910	DECAL (N/S)
20	1	KK-57	WET SEAL WARNING TAG (N/S)



THIS DRAWING AND ALL INFORMATION CONTAINED THEREON ARE THE EXCLUSIVE PROPERTY OF BANJO CORPORATION.

UNLESS SPECIFICALLY NOTED, THIS DRAWING AND ITEMS SHOWN ON THIS DRAWING ARE SUBJECT TO CHANGE AT ANY TIME.

BANJO CORPORATION
 150 BANJO DRIVE, CRAWFORDSVILLE, IN 47933
 WEB SITE: WWW.BANJOCORP.COM
 E-MAIL: SALES1@BANJOCORP.COM

DESCRIPTION
2" SS WET SEAL PUMP W/ BEARING PED., NEW STYLE

PART NUMBER
201PBSSW