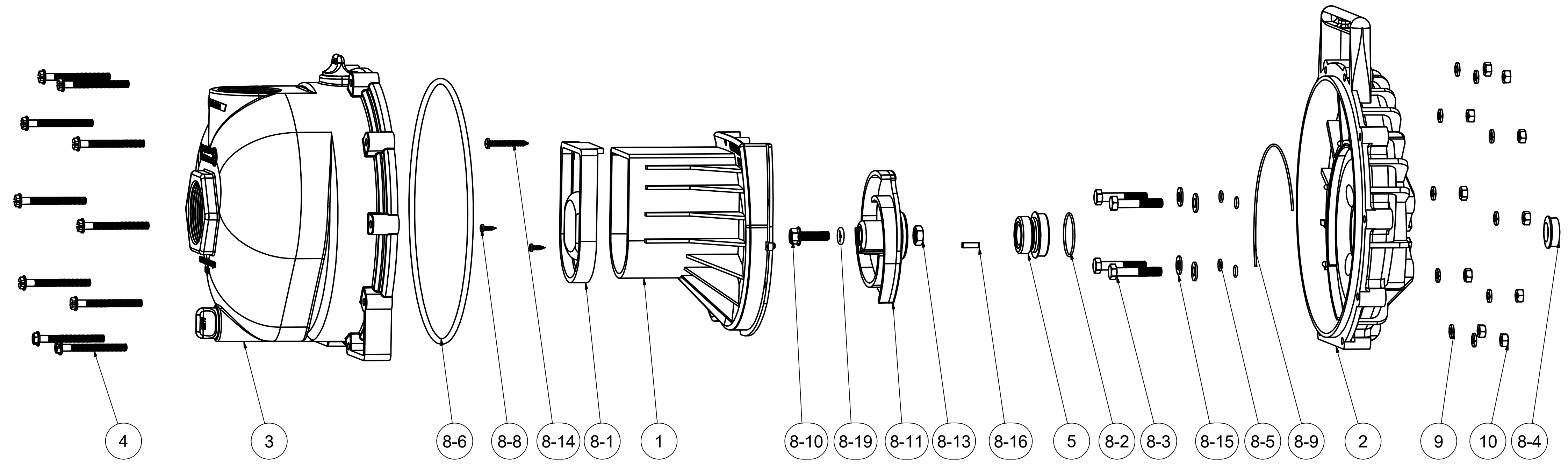


Parts List			
ITEM	QTY	PART NUMBER	DESCRIPTION
1	1	12702A	2" POLY PUMP VOLUTE
2	1	12703A	POLY PUMP REAR BRACKET
3	1	12712AP	2" POLY PUMP BODY
4	2	12720	1/4-20 X 2 1/2" SL IND HWHS
5	1	12733	MECH. SEAL ASSY.
6	1	12910	DECAL (N/S)
7	1	KK-52	1-1/2", 2" & 3" PUMP MANUAL
8	1	PUMPKIT001	PUMP KIT FOR 150PO/200PO
8-1	1	12705	PUMP CHECKVALVE, EPDM
8-2	1	12710	#029 O'RING
8-3	4	12715A	5/16-24 X 1 3/4" HHCS WITH TORQ-PATCH
8-4	1	12716	PUMP SLINGER
8-5	4	12717	#11 O'RING, EPDM
8-6	1	12719A	#375 O'RING, EPDM
8-7	8	12720	1/4-20 X 2 1/2" SL IND HWHS
8-8	2	12725	#6 X 1/2" PPH SMS
8-9	1	12754	O'RING SEGMENT
8-10	1	12765A	5/16-24 X 1 1/8" HFS
8-11	1	12771A	IMPELLER
8-13	1	12775A	7/16-14 HEX NUT
8-14	1	12900	#10 X 1 1/2" PPH SMS
8-15	4	12901	5/16" FLAT WASHER
8-16	1	12902A	3/16" SQ. X 5/8" KEY
8-17	8	V07018	1/4" LOCKWASHER
8-18	8	V07019	1/4-20 HEX NUT
8-19	1	A204	#204 O'RING, EPDM
9	2	V07018	1/4" LOCKWASHER
10	2	V07019	1/4-20 HEX NUT



BANJO CORPORATION
 150 BANJO DRIVE, CRAWFORDSVILLE, IN 47933
 WEB SITE: WWW.BANJOCORP.COM
 E-MAIL: SALES1@BANJOCORP.COM

THIS DRAWING AND ALL INFORMATION CONTAINED THEREON ARE THE EXCLUSIVE PROPERTY OF BANJO CORPORATION.

UNLESS SPECIFICALLY NOTED, THIS DRAWING AND ITEMS SHOWN ON THIS DRAWING ARE SUBJECT TO CHANGE AT ANY TIME.

DESCRIPTION
2" POLY PUMP ONLY W/ 3 VANE IMPELLER

PART NUMBER
200PO