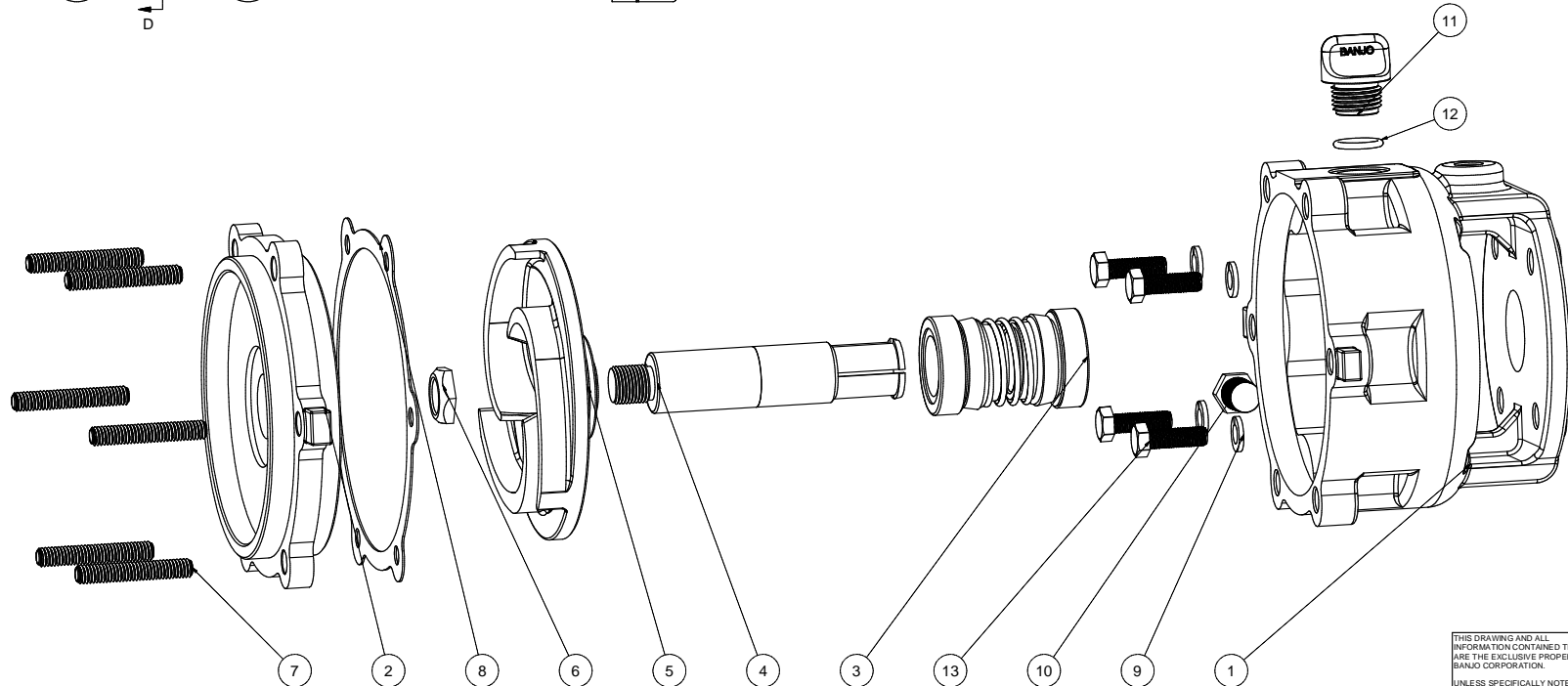
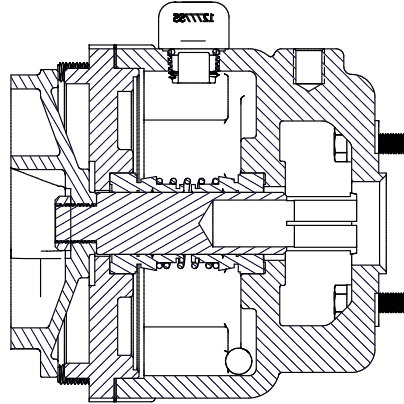
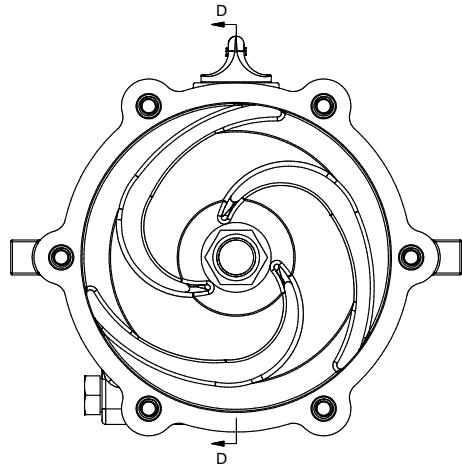


| Parts List | | | |
|------------|-----|-------------|-------------------------|
| ITEM | QTY | PART NUMBER | DESCRIPTION |
| 1 | 1 | 17201A | WET SEAL RESERVOIR, NEW |
| 2 | 1 | 17202SS | COVER PLATE |
| 3 | 1 | 17235 | MECH. SEAL ASSY. |
| 4 | 1 | 17206A | ADAPTER SHAFT |
| 5 | 1 | 17208SS | PUMP IMPELLER |
| 6 | 1 | 17009B | 5/8-18 IMPELLER NUT |
| 7 | 6 | 17242 | 5/16-18 x 1 15/16" STUD |
| 8 | 1 | 17018 | PUMP ADAPTER GASKET |
| 9 | 4 | V10118 | 5/16" LOCKWASHER |
| 10 | 1 | 17032 | 1/4" NPT DRAIN PLUG |
| 11 | 1 | 12777SS | 1/2" DRAIN PLUG |
| 12 | 1 | UV15163V | 2-114 O'RING |
| 13 | 4 | 17040 | 5/16-24 X 1" HHCS |



THIS DRAWING AND ALL INFORMATION CONTAINED THEREON ARE THE EXCLUSIVE PROPERTY OF BANJO CORPORATION. UNLESS SPECIFICALLY NOTED, THIS DRAWING AND ITEMS SHOWN ON THIS DRAWING ARE SUBJECT TO CHANGE AT ANY TIME.

BANJO CORPORATION
 150 BANJO DRIVE, CRAWFORDSVILLE, IN 47933
 WEB SITE: WWW.BANJOCCORP.COM
 E-MAIL: SALES1@BANJOCCORP.COM

DESCRIPTION
 2" SS WET SEAL ASSY, NEW

PART NUMBER
 17200ASS