

Dultmeier Sales

Pipe and Tubing Size Chart

Tubing O.D. Size:

○
1/16"

○
1/8"

○
3/16"

○
1/4"

○
5/16"

○
3/8"

○
1/2"

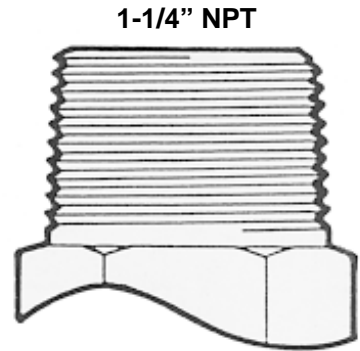
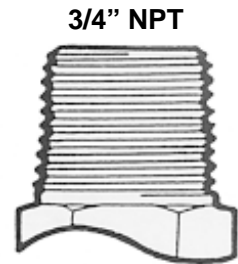
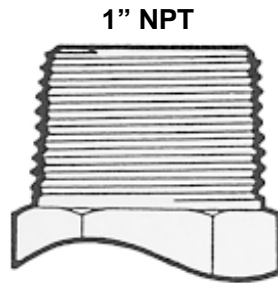
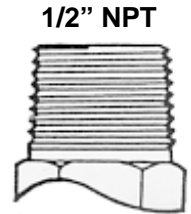
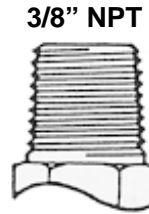
○
5/8"

○
3/4"

○
7/8"

○
1"

Pipe Thread Size NPT:



Pipe and Pipe Fittings

Dimensions in Inches
Standard Black or Galvanized

Nominal Pipe Size Inches	Actual Inside Dia.	Actual Outside Dia.	Length of thread which will make up into a fitting (Average)
1/4"	0.364	0.540	3/8"
3/8"	0.493	0.675	3/8"
1/2"	0.622	0.840	1/2"
3/4"	0.824	1.050	9/16"
1"	1.049	1.315	11/16"
1-1/4"	1.380	1.660	11/16"
1-1/2"	1.610	1.900	11/16"
2"	2.067	2.375	3/4"
2-1/2"	2.469	2.875	-
3"	3.068	3.500	-
4"	4.026	4.500	-
6"	6.065	6.625	-