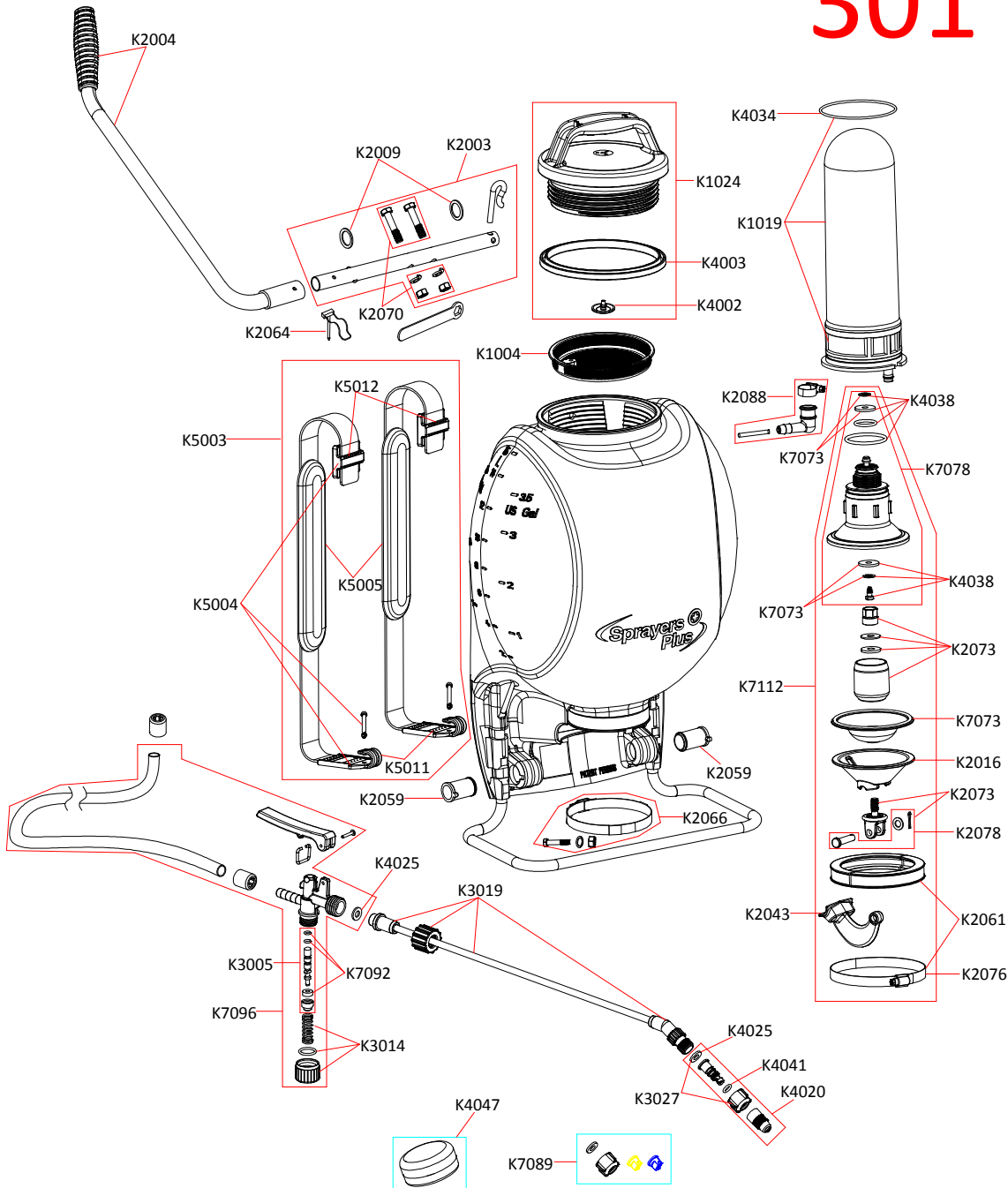


301



- K1004 STRAINER
- K1019 PRESSURE CHAMBER
- K1024 GREEN LID & SEAL W/ HANDLE
- K2003 PUMP LEVER
- K2004 PUMP HANDLE (BLACK)
- K2009 METAL WASHER SET FOR PUMP LEVER
- K2016 DIAPHRAGM PROTECTOR
- K2043 PLASTIC CRANK - 301/302
- K2059 NYLON BEARING
- K2061 ALUMINUM HALF MOON W/HOLDING RING
- K2064 CLEVIS PIN
- K2066 RETENTION CLAMP (PLASTIC)
- K2070 SCREW & NUT SET (SS)
- K2073 DIAPHRAGM PUMP MODULE PARTS - 201/301
- K2076 HOLDING RING (SS)
- K2078 STAINLESS STEEL PIN - 201/301
- K2088 90° ELBOW
- K3005 PLASTIC SPINDLE SET(NYTREL)
- K3014 PLUG SET
- K3019 FIBERGLASS WAND - 20"
- K3027 NOZZLE HOLDER
- K4002 CHECK VALVE
- K4003 SEAL FOR LID - 6"
- K4020 ADJUSTABLE PLASTIC NOZZLE WITH O-RINGS
- K4025 WASHERS SET FOR SPRAY GUN
- K4034 O-RING FOR PRESSURE CHAMBER
- K4038 PUMP MODULE PARTS
- K4041 O-RING FOR ADJUSTABLE NOZZLE
- K4047 SILICONE GREASE
- K5003 SHOULDER STRAPS COMPLETE (1 SET)
- K5004 BUCKLE & HOOK FOR SHOULDER STRAP
- K5005 SHOULDER PADS FOR ECOSCAPE SPRAYER
- K5011 BUCKLES FOR SHOULDER STRAPS
- K5012 HOOKS FOR SHOULDER STRAPS
- K7073 DIAPHRAGM & SEALS SET
- K7078 SEMI DIAPHRAM MODULE - 201/301
- K7089 PLASTIC SPRAY TIP SET
- K7092 SPINDLE SEAL
- K7096 SPRAY GUN B PARTS
- K7112 DIAPHRAGM PUMP MODULE - 301