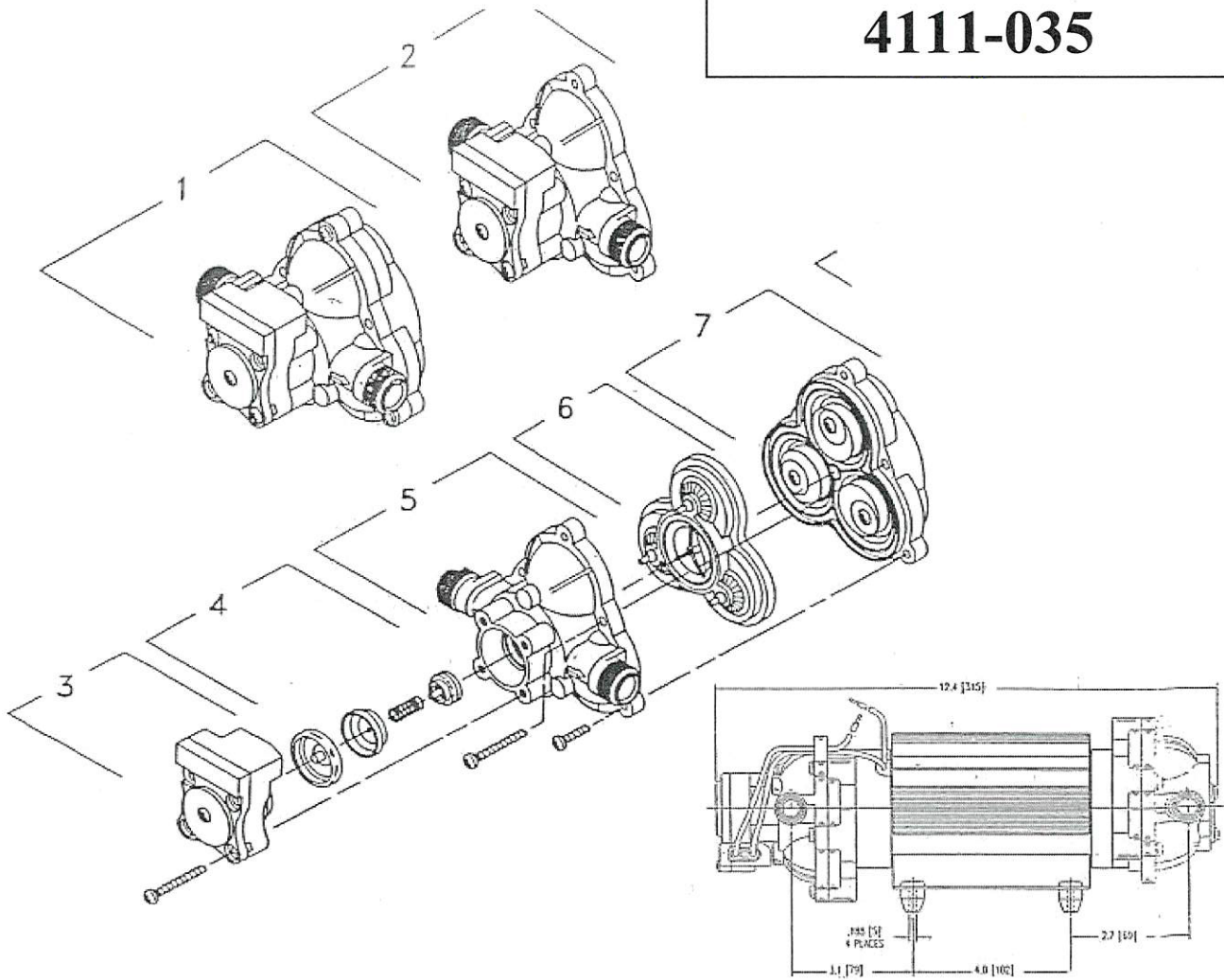


4111-035



- | | | |
|-----|------------------------|---|
| 1. | NA
NA | SWITCH END COMPLETE PUMPHEAD
NO CONTROL COMPLETE PUMPHEAD |
| 2. | NA | UPPERHOUSING SWITCH ASSEMBLY |
| 3. | 94-230-40 | SWITCH ASSEMBLY |
| 4. | 94-237-05 | SWITCH SIDE ONLY CHECK VALVE ASSEMBLY |
| 5. | 94-231-30
94-231-40 | UPPER HOUSING FOR SWITCHD END
UPPER HOUSING FOR END W/O SWITCH |
| 6. | 94-232-05 (2) | VALVE ASSEMBLY |
| 7. | 94-238-03 (2) | DIAPHRAGM / DRIVE ASSEMBLY |
| 8. | 11-253-06 | MOTORS |
| 9. | NA | MOTOR BRUSH KIT |
| 10. | 34-007 | COOL CLIPS (COOLING FINS) |
| 11. | 84-660-00 | Manifold |

SHURflo reserves the right to update specifications or make substitutions without notice.