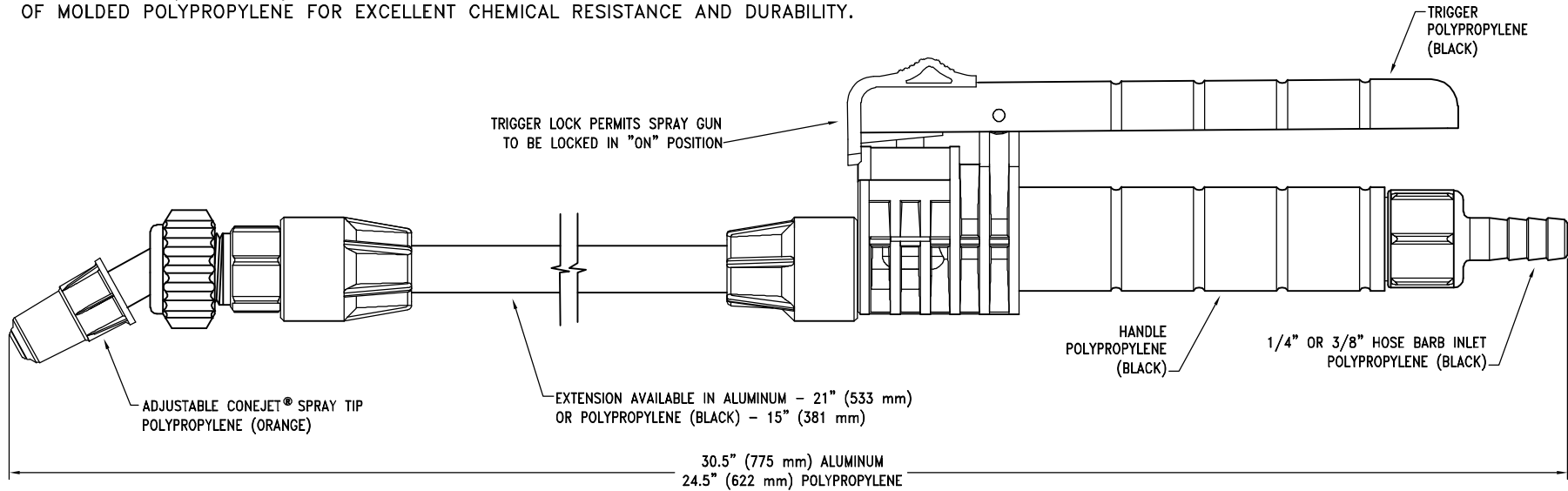


THE MODEL 50800 TRIGGERJET SPRAY GUN IS A LIGHTWEIGHT SPRAY GUN DESIGNED FOR USE WITH BACKPACK, CANISTER, OR OTHER LOW PRESSURE SPRAYERS. THE TRIGGERJET IS MADE OF MOLDED POLYPROPYLENE FOR EXCELLENT CHEMICAL RESISTANCE AND DURABILITY.



ADJUSTABLE CONEJET No.	PERFORMANCE	LIQUID PRESSURE IN PSI (bar)									
		20 PSI (1.4 bar)		30 PSI (2.1 bar)		40 PSI (2.8 bar)		60 PSI (4.1 bar)		100 PSI (7 bar)	
		SETTING		SETTING		SETTING		SETTING		SETTING	
		A	B	A	B	A	B	A	B	A	B
38720-PPB-X18	CAPACITY - GPM	.020	.68	.24	.81	.28	.92	.34	1.1	.42	1.4
	L/min	0.75	2.6	.91	3.1	1.1	3.5	1.3	4.2	1.6	5.3
	SPRAY ANGLE	61°	--	68°	--	80°	--	80°	--	80°	--

SETTING "A" - HOLLOW CONE SPRAY

SETTING "B" - SOLID STREAM

FEATURES:

- THE 50800 TRIGGERJET SPRAY GUN FEATURES AN ALUMINUM OR POLYPROPYLENE EXTENSION AND ADJUSTABLE CONEJET SPRAY TIP.
- EQUIPPED WITH HOSE BARB INLET FOR 1/4" OR 3/8" INNER DIAMETER HOSE.
- TRIGGER LOCK PERMITS SPRAY GUN TO BE LOCKED IN THE OPEN POSITION FOR CONTINUOUS FLOW.
- POLYPROPYLENE STRAINER LOCATED INSIDE HANDLE TO PREVENT TIP CLOGGING.
- MAXIMUM OPERATING PRESSURE - 100 PSI (7 bar).

HOW TO ORDER:

- 50800-15-PP-300 - 15" POLYPROPYLENE EXTENSION, 1/4" HOSE BARB INLET
- 50800-15-PP-406 - 15" POLYPROPYLENE EXTENSION, 3/8" HOSE BARB INLET
- 50800-21-AL-300 - 21" ALUMINUM EXTENSION, 1/4" HOSE BARB INLET
- 50800-21-AL-406 - 21" ALUMINUM EXTENSION, 3/8" HOSE BARB INLET

DESCRIPTION:

No. 50800-PP-X18 &
50800-AL-X18
TRIGGERJET® SPRAY GUN



Spraying Systems Co.®
Spray Nozzles and Accessories
P.O. Box 7900 - Wheaton, IL 60189-7900

Rev. No. 1

Data Sheet No.

Ref.

50800

SHEET OF