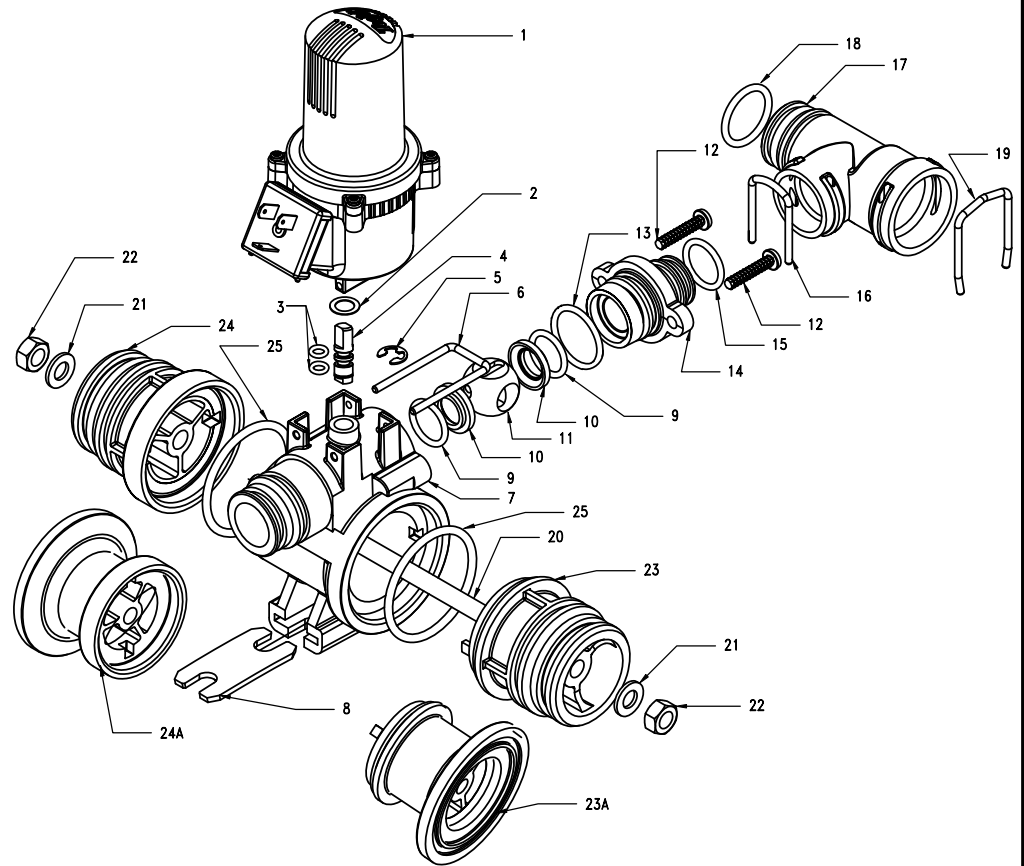


ITEM	PART NO.	DESCRIPTION
1	58445	EC MOTOR, 22-RPM (0.7-SEC), DIN CONNECTION, POSITIVELY SWITCHED
	58446	E MOTOR, 22-RPM (0.7-SEC), DIN CONNECTION, POSITIVELY SWITCHED
	58447	EC MOTOR, 22-RPM (0.7-SEC), DIN CONNECTION, NEGATIVELY SWITCHED
2	CP58436-302SS	FLAT WASHER, 302 STAINLESS STEEL
3	CP7717-M4.8X1.8-VI	O-RING, VITON (2 REQ'D)
4	CP58435-SS	STEM, 303 STAINLESS STEEL
5	CP58469-SS	E-CLIP RETAINING RING, 17PH STAINLESS STEEL
6	CP58450-302SS	MOTOR RETAINING CLIP, 302 STAINLESS STEEL
7	CP58431-PP	VALVE BODY, POLYPROPYLENE (BLACK)
8	CP50507-304SS	MOUNTING PLATE, 304 STAINLESS STEEL
9	CP7717-2-115-VI	O-RING, VITON (2 REQ'D)
10	CP58434-TEF	SEAL, TEFLON (2 REQ'D)
11	CP58459-SS	FLOWBACK BALL, 303 STAINLESS STEEL
12	CP58465-302SS	SCREW, 302 STAINLESS STEEL (2 REQ'D)
13	CP7717-2-120-VI	O-RING, VITON
14	CP58455-PP	BYPASS END CAP, POLYPROPYLENE (BLACK)
15	CP7717-2-116-VI	O-RING, VITON
16	CP58457-304SS	BYPASS RETAINING CLIP, 304 STAINLESS STEEL
17	CP58458-PP	FLOWBACK MAINFOLD BODY, POLYPROPYLENE (BLACK)
18	CP7717-3-912-VI	O-RING, VITON
19	CP37166-1-302SS	FLOW BACK RETAINING CLIP, 302 STAINLESS STEEL
20	CP58468-1-SS	ONE BANK MANIFOLD CONNECTING ROD, 303 STAINLESS STEEL
	CP58468-2-SS	TWO BANK MANIFOLD CONNECTING ROD, 303 STAINLESS STEEL
	CP58468-3-SS	THREE BANK MANIFOLD CONNECTING ROD, 303 STAINLESS STEEL
	CP58468-4-SS	FOUR BANK MANIFOLD CONNECTING ROD, 303 STAINLESS STEEL
	CP58468-5-SS	FIVE BANK MANIFOLD CONNECTING ROD, 303 STAINLESS STEEL
	CP58468-6-SS	SIX BANK MANIFOLD CONNECTING ROD, 303 STAINLESS STEEL
	CP58468-7-SS	SEVEN BANK MANIFOLD CONNECTING ROD, 303 STAINLESS STEEL
	CP58468-8-SS	EIGHT BANK MANIFOLD CONNECTING ROD, 303 STAINLESS STEEL
	CP58468-9-SS	NINE BANK MANIFOLD CONNECTING ROD, 303 STAINLESS STEEL
21	CP58555-SS	M8 SPLIT LOCK WASHER (2 REQ'D)
22	CP46074-302SS	M8X1.25 HEX NUT, 302 STAINLESS STEEL (2 REQ'D)
23	CP58437-PP	MALE INLET ADAPTER, POLYPROPYLENE (BLACK)
23A	CP98503-NYB	75 FLANGE MALE ADAPTER, NYLON (BLACK)
24	CP58438-PP	FEMALE INLET ADAPTER, POLYPROPYLENE (BLACK)
24A	CP98502-NYB	75 FLANGE FEMALE ADAPTER, NYLON (BLACK)
25	CP7717-2-225-VI	O-RING, VITON (2 REQ'D)
	58471	VALVE BODY SUB-ASS'Y, INCLUDES ITEMS (2-5, 7-18)
	AB430-KIT	SPARE PARTS KIT (INCLUDES ITEMS 3,9,10)
	58562	430 FLOW BACK BALL & STEM KIT (INCLUDES ITEMS 2,3,4,5,11)
	58563	INLET ADAPTER KIT (INCLUDES ITEMS 23, 24, 25)
	58564-3	THREE VALVE MANIFOLD ASSEMBLY KIT (INCLUDES ITEMS 20-25)
	58564-5	FIVE VALVE MANIFOLD ASSEMBLY KIT (INCLUDES ITEMS 20-25)
	58564-7	SEVEN VALVE MANIFOLD ASSEMBLY KIT (INCLUDES ITEMS 20-25)
	58564-9	NINE VALVE MANIFOLD ASSEMBLY KIT (INCLUDES ITEMS 20-25)

NOTE: ALL MANIFOLD ASSEMBLY KITS (58564-*) INCLUDE THE CORRECT ROD (ITEM 20) AND TWO PIECES OF ITEMS 21, 22, & 25.



ASSEMBLY NOTE: WHEN ASSEMBLING THE MANIFOLD, CENTER THE CONNECTING ROD (ITEM 20) BEFORE TIGHTENING HEX NUTS (ITEM 22)

DESCRIPTION:
 430EC AND 430E
 FLOW BACK
 DIRECTOVALVE®
 ELECTRIC SHUT-OFF
 BALL VALVE MANIFOLD

DESIGN COVERED BY
 US PATENT #6189807



Spraying Systems Co.®

Spray Nozzles and Accessories
 P.O. Box 7900 - Wheaton, IL 60189-7900

Rev. No. 4

Ref. 10/21/2011

PARTS LIST

PL430EC-3FB
 SHEET OF