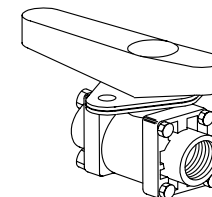
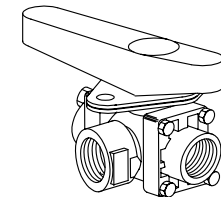


ITEM	PART NO.	DESCRIPTION
1	CP20131-EPR	Handle Plug, EPDM Rubber
2	CP20123-3/4-430SS	Slotted Hex. Washer Screw, Type 430 Stainless Steel
3	CP20116-PP-1	Handle, Polypropylene (Gray)
4	CP20127-SS	Self Clinching Stud, Stainless Steel (2 Req'd)
5	CP20117-PP	Mounting Plate, Polypropylene (Black)
* 6	CP20125-TEF	Thrust Washer, Teflon
* 7	CP26251-PP	Ball Valve Stem, Polypropylene (Gray)
* 8	CP7717-M12X2.5-VI	O-Ring, Viton (3 req'd)
9	CP20101-PP	Body, Polypropylene (Black)
9A	CP20102-3/4-PP	Body, Polypropylene (Black) (3/4" NPT)
	CP20102-1-PP	Body, Polypropylene (Black) (1" NPT)
	CPB20102-3/4-PP	Body, Polypropylene (Black) (3/4" BSPT)
CPB20102-1-PP	Body, Polypropylene (Black) (1" BSPT)	
* 10	CP20126-FELT	Dust Plug, Dense Felt
* 11	CP20564-VI	Gasket, Viton (2 Req'd)
* 12	CP20103-TEF	Seal, Teflon (2 Req'd)
* 13	CP7717-2/213-VI	O-Ring, Viton (2 Req'd)
14	CP20104-3/4-PP	End Cap, Polypropylene (Black) (3/4" NPT) (2 Req'd)
	CP20104-1-PP	End Cap, Polypropylene (Black) (1" NPT) (2 Req'd)
	CPB20104-3/4-PP	End Cap, Polypropylene (Black) (3/4" BSPT) (2 Req'd)
	CPB20104-1-PP	End Cap, Polypropylene (Black) (1" BSPT) (2 Req'd)
15	CP20129-SS	Hex Head Cap Screw, Stainless Steel (4 Req'd)
16	CP8535-SS	Hex Nut, Stainless Steel (6 Req'd)
17	CP20128-SS	Lock Washer, Stainless Steel (6 Req'd)
18	CP20106-PP	Ball, Polypropylene (White) (2-Way)
18A	CP20109-PP	Ball, Polypropylene (White) (3-Way)
AB344M-2-PP-KIT, Spare Parts Kit (Includes all items marked with * and item 18)		
AB344M-3-PP-KIT, Spare Parts Kit (Includes all items marked with * and item 18A)		
AA(B)344M-2-3/4-PP, Two-Way Manual Control Ball Valve (3/4" Connections)		
AA(B)344M-2-1-PP, Two-Way Manual Control Ball Valve (1" Connections)		
AA(B)344M-3-3/4-PP, Three-Way Manual Control Ball Valve (3/4" Connections)		
AA(B)344M-3-1-PP, Three-Way Manual Control Ball Valve (1" Connections)		

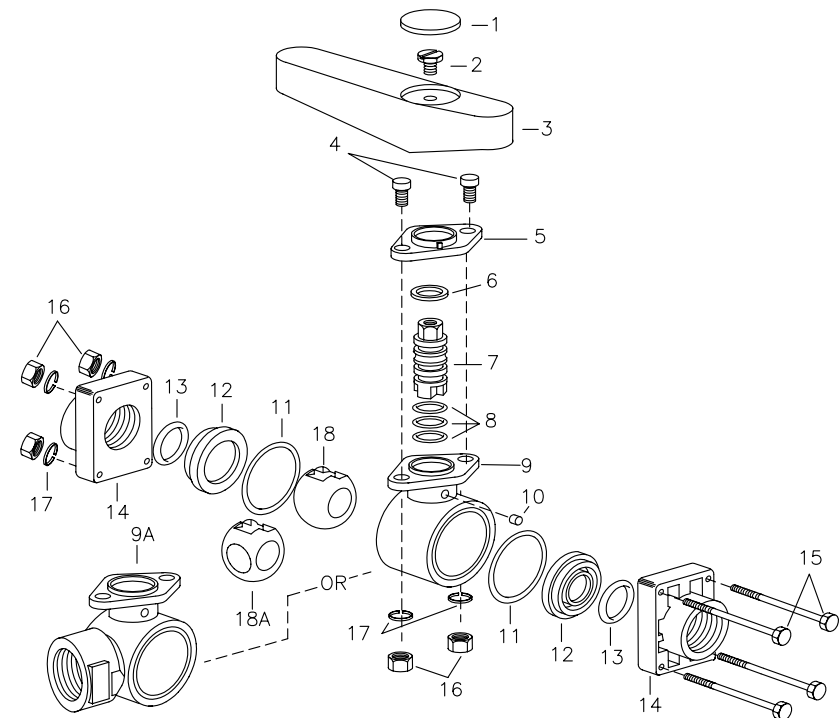
NOTE: (B) IN PART NUMBER INDICATES BSPT INLET AND OUTLET CONNECTIONS



AA(B)344M-2-PP



AA(B)344M-3-PP



DESCRIPTION:
 AA(B)344M-2-3/4-PP & -1-PP
 AA(B)344M-3-3/4-PP & -1-PP
 2- AND 3-WAY MANUAL
 CONTROL BALL VALVES
 (NPT & BSPT CONN.)
 (POLYPROPYLENE CONSTRUCTION)



Spraying Systems Co.
 Spray Nozzles and Accessories
 P.O. Box 7900 - Wheaton, Il. 60189-7900

Rev. No. 2

Ref.

PARTS LIST
PL344M-PP
 SHEET OF