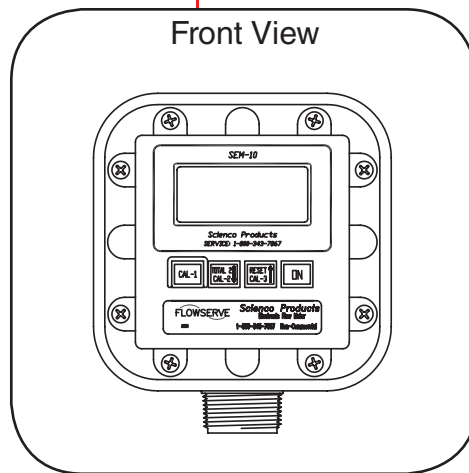
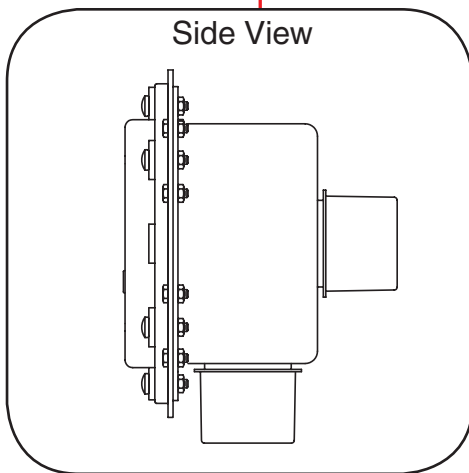
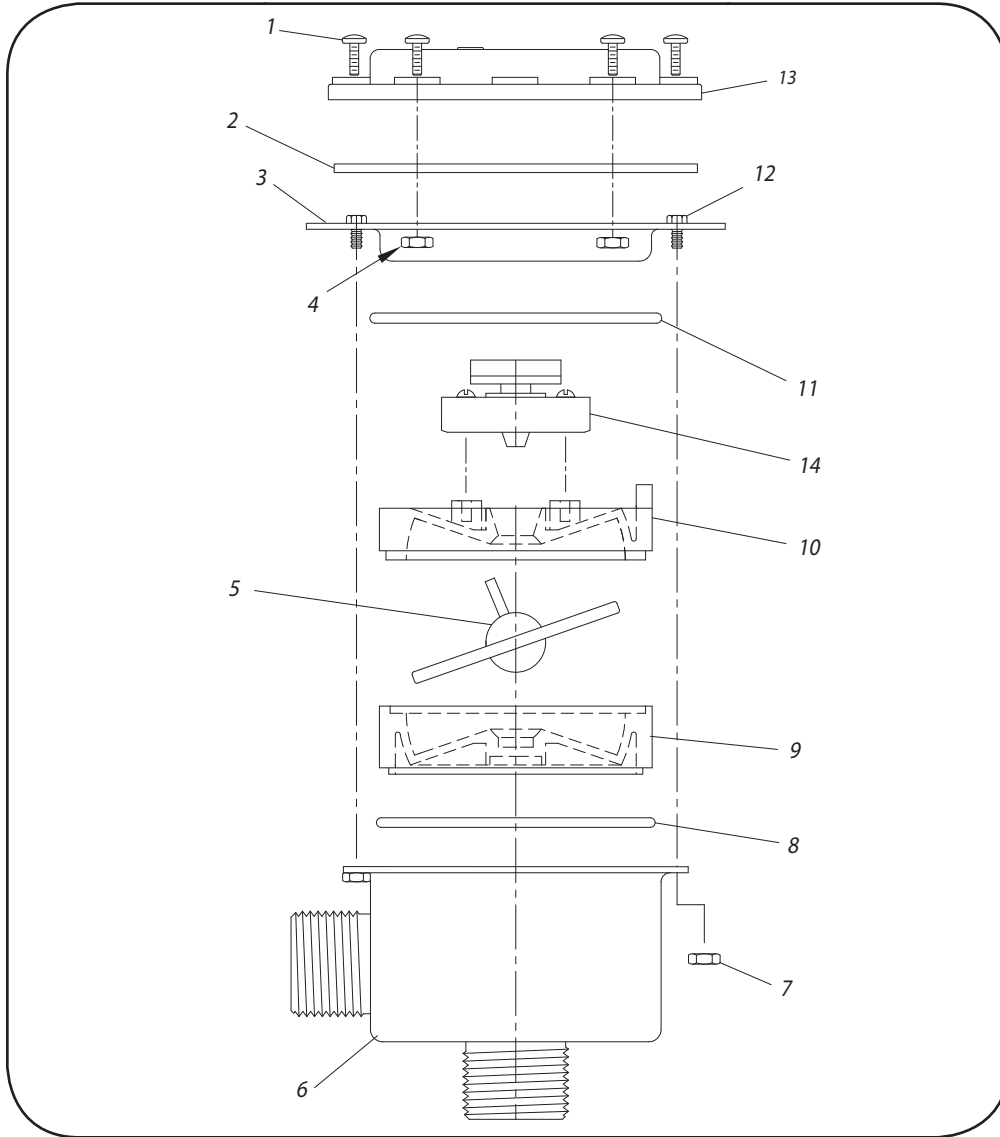


SEM-10SS Parts List



SEM-10SS Parts List

ITEM NUMBER	PART NUMBER	QTY	DESCRIPTION	AVAILABLE AS
1	DD6P-46A	8	Screw	SEM-10SS Kit
2	S10-06SS	1	.125 Thick Gasket	SEM-10SS Kit
3	SFM10000-14A	1	Stamped Cover Plate	SEM-10SS Conv Kit
4	NUT-02	8	Nut	SEM-10SS Kit
5	SFM10000-03A	1	Wobble Plate Assy	SEM-20 Kit
6	SFM10000-13A	1	Can Assy	PART
7	SFM10000-20	8	Nut	PART
8	SFM10000-17	1	Viton O-Ring	SEM-20 Kit
9	SFM10000-01	1	Bottom Wobble Housing	SEM-20 Kit
10	SFM10000-02	1	Top Wobble Housing	SEM-20 Kit
11	SFM10000-18	1	Viton O-Ring	SEM-20 Kit
12	SFM10000-19	8	Hex Head Screw	PART
13	S10-11 COMPLETE	1	Potted Electronics	SEM-10SS Kit
14	S10-14SS	1	Cone	PART