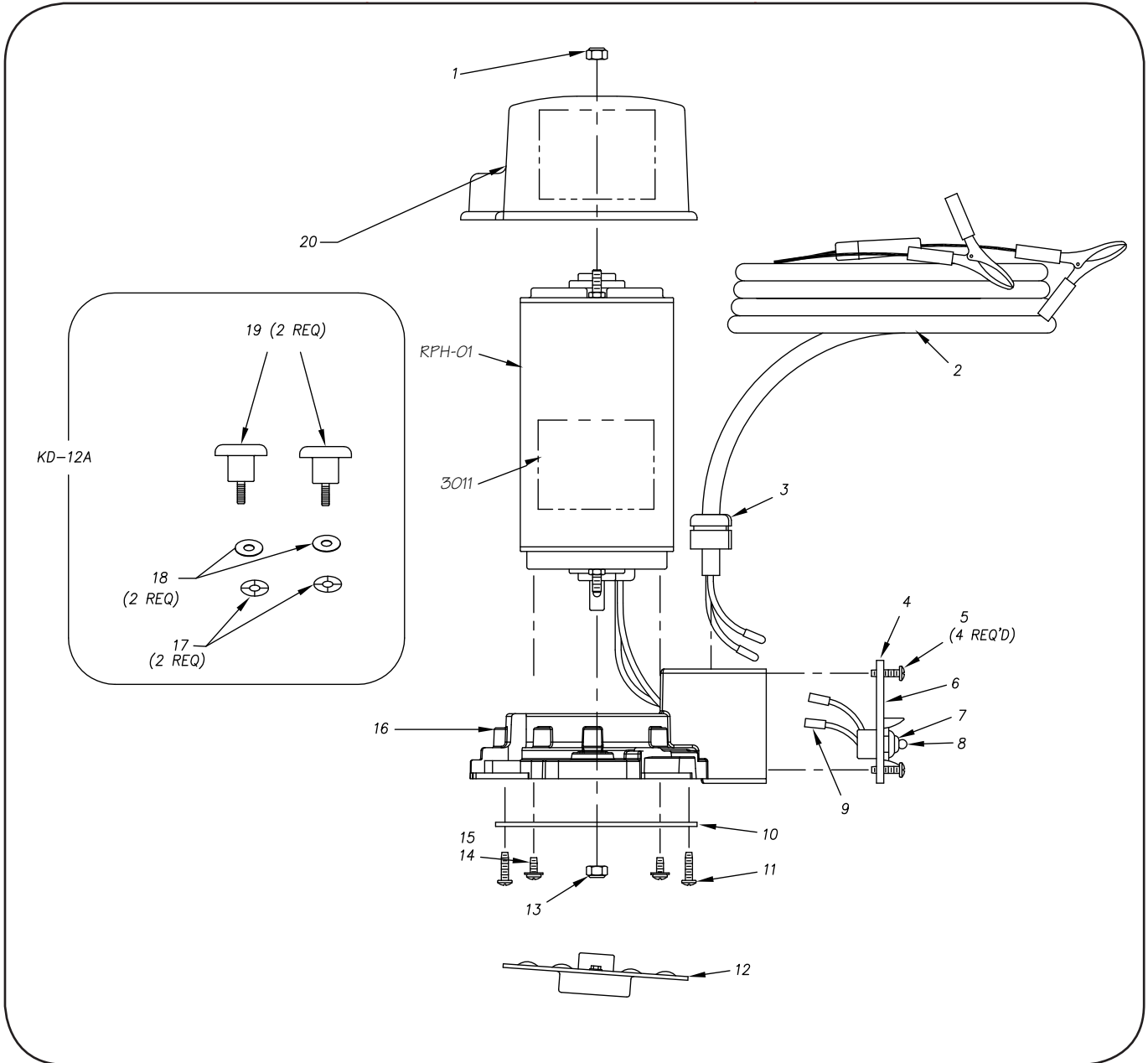


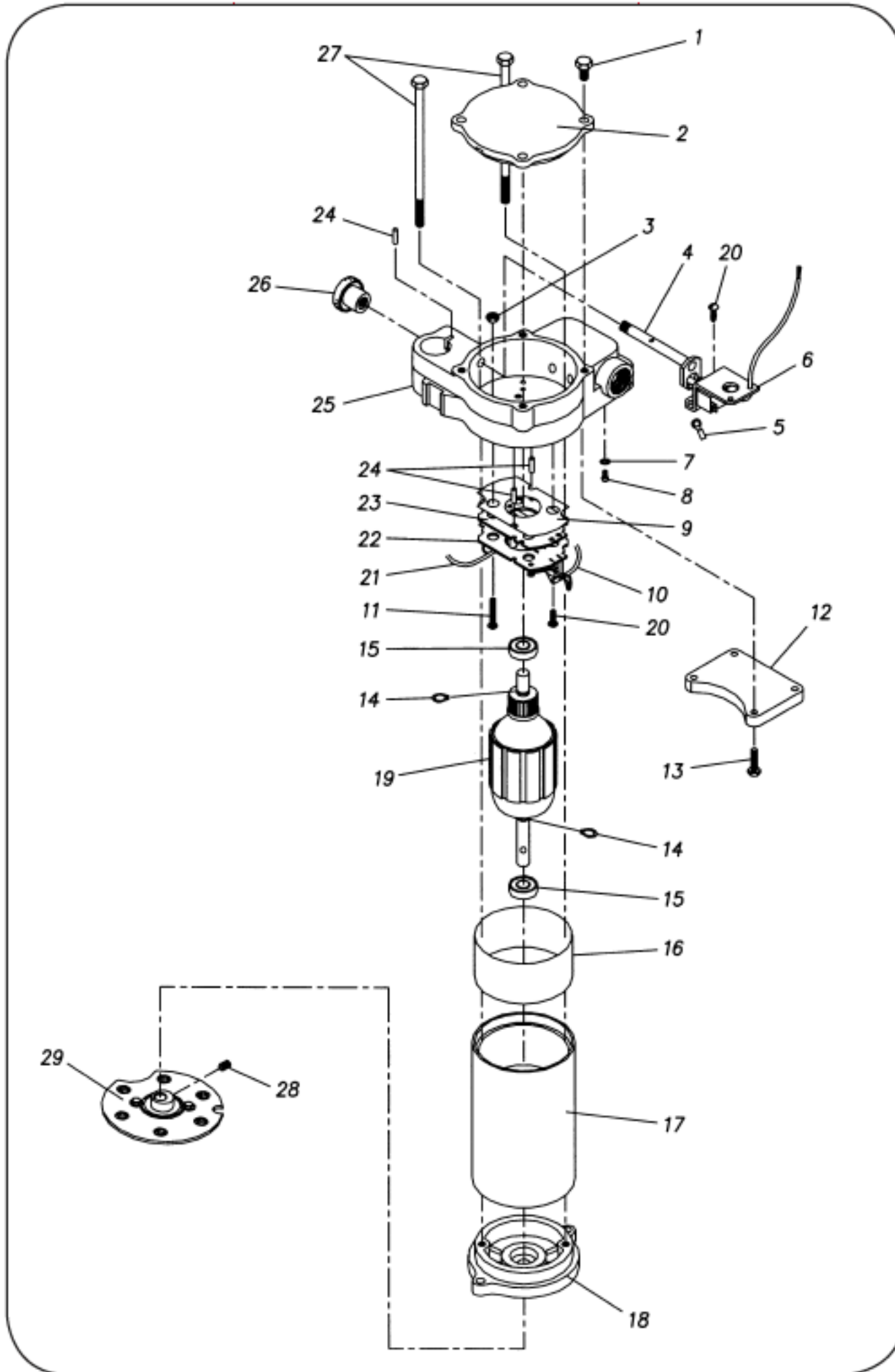
DD6 Motor Parts List



DD6 Motor Parts List

ITEM NUMBER	PART NUMBER	QTY	DESCRIPTION	AVAILABLE AS
1	DD6P-07SS	2	Nut	PART
2	PHA-04	1	Cable Assembly	PART
3	PH-14	1	Cord Bushing	PART
4	PH-07	1	Switch Plate	PHP KIT-03
5	PH-03	4	Screw	PHP KIT-03
6	3081			PART
7	PH-09	1	Switch Boot	PHP KIT-03
8	PH-08	1	Switch	PHP KIT-03
9	PH-11	2	Wire Terminals	PHP KIT-03
10	PH-02SZ	1	Motor Mounting Plate	PART
11	PH-03	7	Screw	PART
12	WP-01ASSY	1	Drive Plate	KD-11
13	DD6P-07SS	2	Nut	PART
14	Washer-34	2	Washer	PART
15	EP-11	2	Lock Nut	PART
16	PH-50	1	Motor Adapter	PART
17	DD6P-32	2	Bolt Retainers	KD-12A
18	DD6M-47NW	2	Washer	KD-12A
19	DD6M-41	2	Motor Handles	KD-12A
20	PH-49	1	Motor Cap	PART

DD6 UL-Listed Motor Parts List (Applies to products made prior to June 2005.)



DD6 UL-Listed Motor Parts List (Applies to products made prior to June 2005.)

ITEM NUMBER	PART NUMBER	QTY	DESCRIPTION	AVAILABLE AS
1	BP-30	4	HEX HEAD SCREW	KD-14
2	EP-03	1	SWITCH COVER	PART
3	EP-10A	1	SM PATTERN HEX NUT	KD-14
4	EP-06ASSY	1	WELDED EP-05 & EP-06	KD-52, KD-47
5	EP-23A	1	RING TERMINAL	EP-13 ASSY, EP-26A
6	EP-13ASSY	1	SWITCH ASSEMBLY	EP-13 ASSY
7	EP-88W	1	COLLAR LOCK WASHER	KD-14
8	EP-88S	1	FILL SCREW GREEN	KD-14
9	EP-24	1	POLYSTER SPACER	EP-17-01
10	EP-18R	1	BRUSH W/RED LEAD WIRE	EP-17-01
11	EP-10A	1	ROUND HEAD SCREW	KD-14, KD-48
12	EP-04	1	JUNCTION BOX COVER	PART
13	EP-25	4	HEX HEAD SCREW	KD-14
14	EP-19	2	SNAP RING	KD-49, KD-50
15	EP-20	2	BEARING	KD-49, KD-50
16	EP-22	1	FISH PAPER	KD-51
17	EP-15	1	TUBE & MAGNET	KD-51
18	EP-01	1	FRONT MOTOR CAP	PART
19	DD6M-16	1	ARMATURE	KD-49
20	EP-11	2	SCREW	KD-47, KD-14
21	EP-18	1	BRUSH W/BLACK LEAD WIRE	EP-17-01
22	EP-17ASSY	1	EP-17B + EP-17S ASSEMBLED	EP-17-01
23	EP-17A	1	BOTTOM BRUSH PLATE	EP-17-01
24	EP-57	3	ROLL PINS	KD-40, KD-47, KD-49
25	EP-02	1	REAR MOTOR CAP	KD-47
26	EP-GR-09	1	ON/OFF BLACK KNOB	KD-52, KD-47
27	EP-14	2	HEX INDENTED	KD-14
28	CP-47	1	SET SCREW	KD-14, KD-11
29	WP-01ASSY	1	DRIVE PLATE ASSEMBLY	KD-11, PART