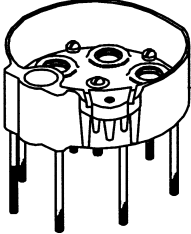




**DD6 Pump Kits**


**KD-45**  
 WHITE DD6 PUMP TOP HOUSING KIT W/NUTS



DD6P-01

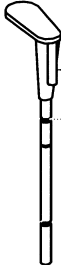
DD6P-09SS 

DD6P-10SS 

NUT-02  (7)

**KIT INCLUDES:  
 TOP HOUSING, LOCK NUTS, WASHER, AND HEX. NUT.**

**KD-36**  
 DD6 PUMP PUSH ROD KIT



DD6P-38

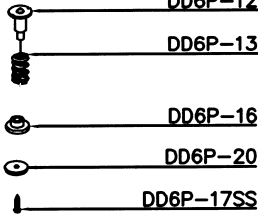
DD6P-38V

DD6P-37SS

DD6P-38SS

**KIT INCLUDES:  
 PUSH ROD, O-RING, SS SNAP, AND  
 SS SNAP RING.**

**KD-35**  
 DD6 PUMP PISTON AND SPRING KIT



DD6P-12

DD6P-13

DD6P-16

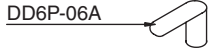
DD6P-20

DD6P-17SS

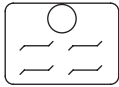
**KIT INCLUDES SIX EACH OF:  
 PISTON, PISTON SPRING, PISTON  
 CAP, PISTON BACKUP AND SCREWS.**

## DD6 Pump Kits

### KD-15 DD6 PUMP VENT LEVERS

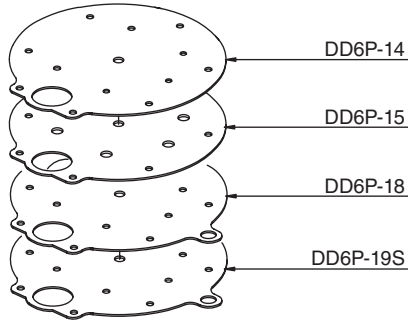


3018



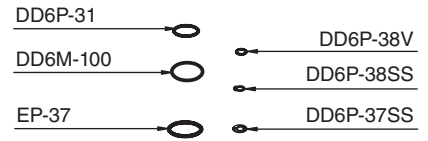
KIT INCLUDES TEN EACH OF:  
VENT HANDLES AND VENT TAGS.

### KD-34 DD6 PUMP DIAPHRAGM KIT



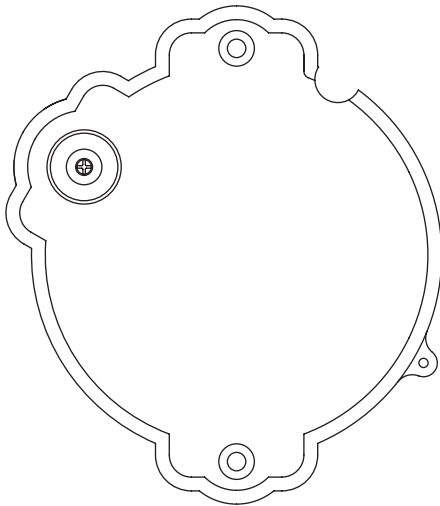
KIT INCLUDES:  
DRY SIDE BARRIER, FLUID SIDE  
BARRIER, DRY SIDE DIAPHRAGM AND  
FLUID SIDE DIAPHRAGM.

### KD-17 DD6 PUMP SNAP RING & O-RING KIT

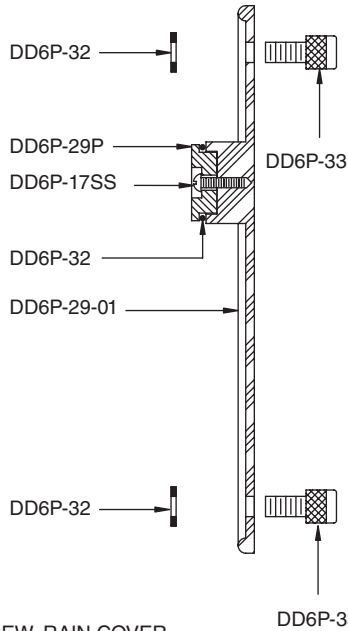


KIT INCLUDES FIVE EACH OF:  
O-RINGS, SNAP RINGS AND  
SS RING.

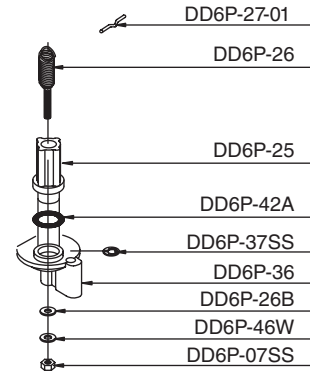
### KD-06 WHITE RAIN COVER KIT



KIT INCLUDES:  
MOUNTING SCREWS, WASHER, THUMB SCREW, RAIN COVER,  
O-RING AND INSTRUCTIONS.



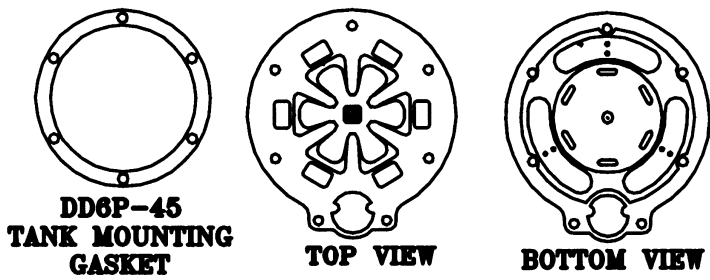
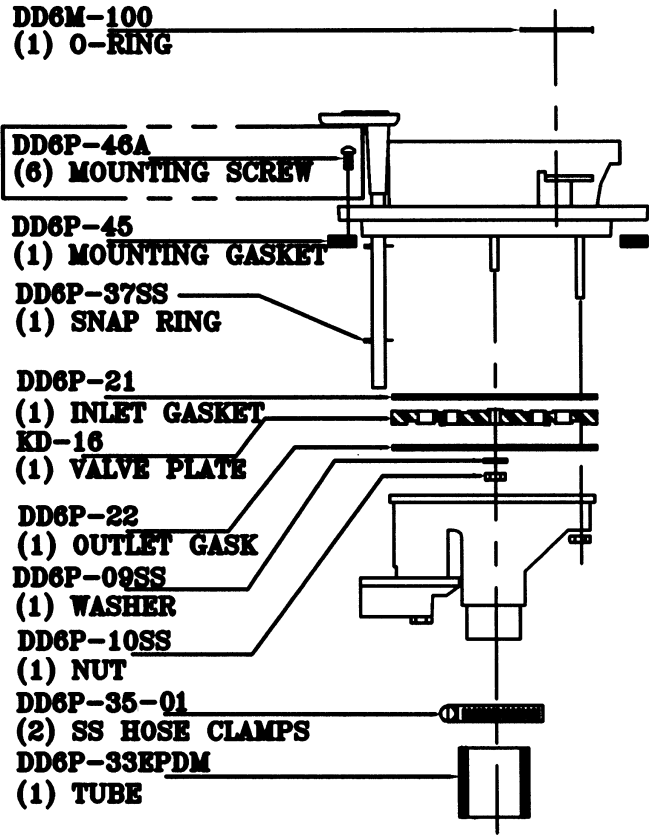
### KD-07 PUMP BYPASS KIT



KIT INCLUDES:  
LOCK NUT, WASHERS, BYPASS  
CYLINDER, SS SPRING, RETAINER  
PIN, DEFLECTOR, SNAP RING AND  
O-RING.

**DD6 Pump Kits**

**DD6 REPAIR KIT**  
**DD6 PUMP/CHECK VALVE REPAIR KIT**

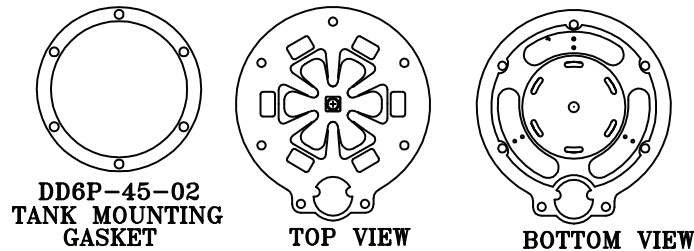
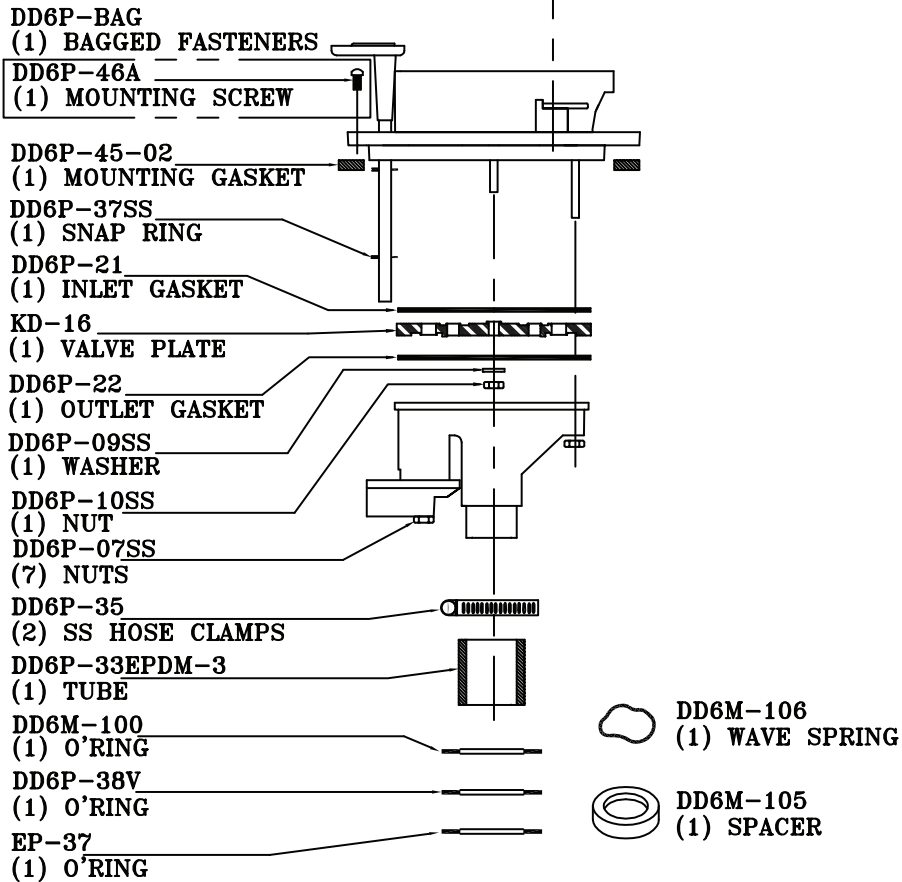


**KIT INCLUDES:**  
**MOUNTING SCREWS, WASHERS, VENT TAG, O-RINGS, SPACER, VENT**  
**HANDLE, REINFORCED INLET & OUTLET GASKET, TANK GASKET,**  
**TUBING, HOSE CLAMP, SNAP RING, SAFETY VALVE STEM, DOWELL**  
**PIN, BYPASS SPRING, VALVE PLATE FOR CHECK VALVE, TANK**  
**GASKET, OWNER'S MANUAL AND O-RING & SPACER CARD.**

**DD6 Pump Kits**

**DD6 KIT-01**

(DD6 REPAIR KIT W/THICK FLEX HOSE)



**KIT INCLUDES:**  
 MOUNTING SCREWS, TUBING, S.S. HOSE CLAMP, O-RINGS,  
 TANK GASKET, INLET & OUTLET GASKET, SPACER, WAVE SPRING,  
 VALVE PLATE ASSY. W/VALVES, AND INSTRUCTION SHEET.

**DD6 Pump Kits**

**DD6 KIT**  
(DD6 REPAIR KIT)

DD6P-BAG-01

DD6P-46A

DD6P-45

DD6P-33EPDM

DD6P-35-01

**KIT INCLUDES:**  
MOUNTING SCREWS, TUBING, S.S. HOSE CLAMP, AND TANK GASKET.

**DD6 KIT-03**  
DD6 PUMP/CKVLV. REPAIR KIT

**BAG**

DD6P-06A

3018

**BAG**

MAX-SS-1024

DD6P-46A

DD6P-46W

DD6P-37SS

DD6P-GR-45

DD6P-21

KD-16-01

DD6P-22

DD6P-35-01

DD6P-33EPDM

**BAG**

DD6M-105

DD6M-100

DD6P-38V

EP-37

**BAG**

DD6P-75

EP-51

DD6P-76

**KIT INCLUDES:**  
VENT TAG, O-RINGS, SPACER, VENT HANDLE, INLET & OUTLET GASKETS, TANK GASKET, TUBING, SS HOSE CLAMP, SS SNAP RING, SCREWS, WASHERS, VALVE STEM, SS DOWELL PIN, BYPASS SPRING, VALVE PLATE, AND OWNER'S MANUAL.