

6. Spare Parts

The decision on what spare parts to stock varies greatly depending on many factors such as the criticality of the application, and/or the time required to buy and receive new spares. This section identifies all of the components that make up pump addressed in this manual.

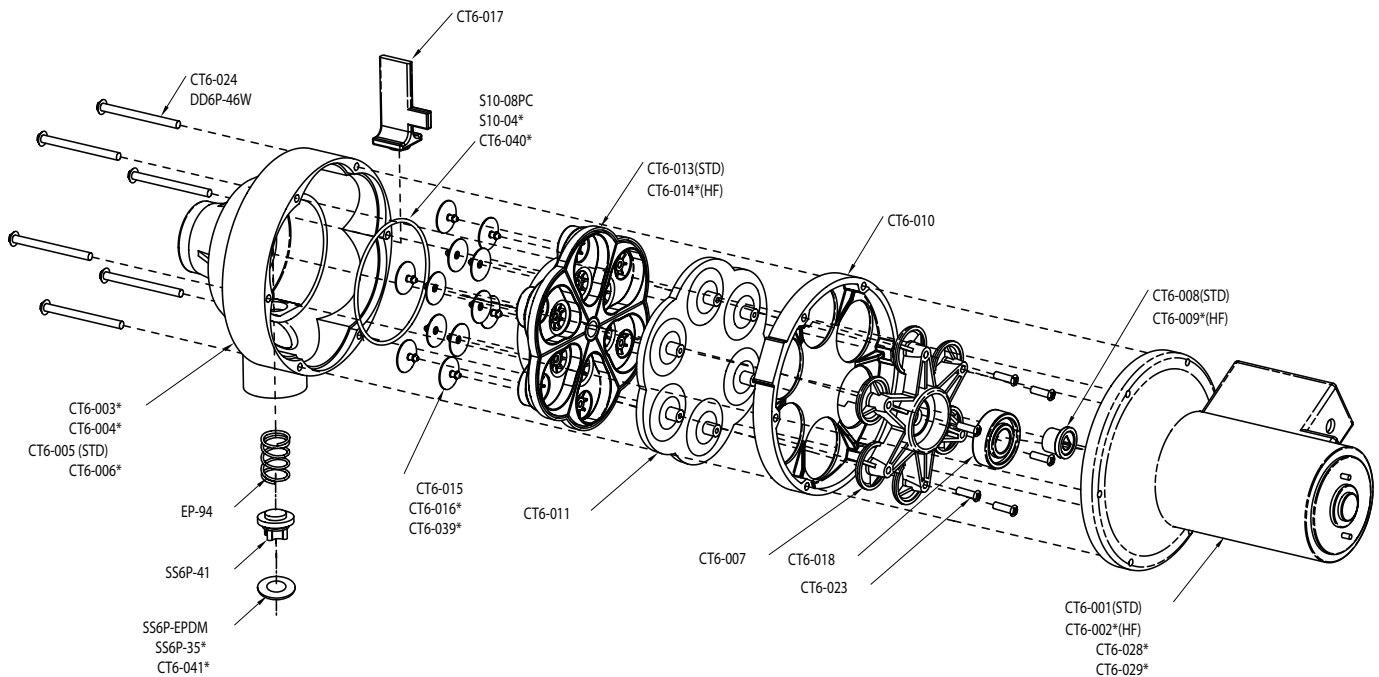
6.1 Ordering of spare parts

Flowserve keeps records of all pumps that have been supplied. Spare parts can be ordered from your local Flowserve sales engineer or from a Flowserve distributor or representative.

ITEM	DESCRIPTION
CT6-001	Motor Assembly (Green 12V)
CT6-002*	Motor Assembly HF
CT6-003*	Housing - Inlet: MM, Outlet: NPT
CT6-004*	Housing - Inlet: MM, Outlet: BSPP
CT6-005	Housing - Inlet: NPT, Outlet: NPT
CT6-006*	Housing - Inlet: BSPP, Outlet: BSPP
CT6-007	Wobble Plate
CT6-008	Bushing
CT6-009*	Bushing HF
CT6-010	Spacer (Aluminum)
CT6-011	Diaphragm
CT6-013	Valve Plate
CT6-014*	Valve Plate HF
CT6-015	Valves (Peroxide EPDM)
CT6-016*	Valves (Viton)

ITEM	DESCRIPTION
CT6-017	Bypass Support
CT6-018	Bearing
CT6-023	Screw (Wobble plate)
CT6-024	Screw (Housing)
CT6-039	Valve, Santoprene
CT6-040	O-ring, Santoprene
CT6-041	Bypass seal, Santoprene
DD6P-46W	Stainless Steel Washer
SS6P-41	Bypass valve
EP-94	Bypass valve spring
SS6P-35EPDM	Bypass valve gasket
SS6P-35*	Bypass valve gasket Viton
S10-08	O-ring
S10-04	O-ring (Viton)

* optional



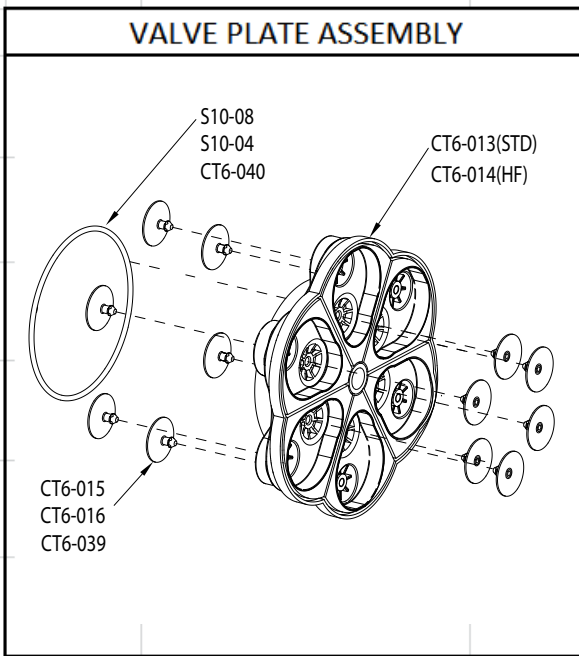
CT6 DIAPHRAGM PUMP - EXPLODED VIEW

MOTOR ASSEMBLY		
KIT P/N	DESCRIPTION	PARTS
CT6KIT-101	MOTOR ASSEMBLY, 12V CT6 GREEN, INCLUDING SWITCH AND CABLE	CT6-001
CT6KIT-102	CT6 HF, GRAY, INCLUDING SWITCH AND CABLE	CT6-002
CT6KIT-103	MOTOR ASSEMBLY, 12V CT6 BLUE, INCLUDING SWITCH AND CABLE	CT6-028
CT6KIT-104	MOTOR ASSEMBLY, 115V CT6 BLUE, INCLUDING SWITCH AND CABLE	CT6-029

WOBBLE PLATE ASSEMBLY		
NOTE: CT6-007, CT6-018, AND CT6-008 OR 009 COME PRE-ASSEMBLED.		
KIT P/N	DESCRIPTION	PARTS
CT6KIT-601	WOBBLE PLATE ASSEMBLY	CT6-007 CT6-008 CT6-018 CT6-023
CT6KIT-602	WOBBLE PLATE ASSEMBLY, HF	CT6-007 CT6-009 CT6-018 CT6-023

PUMP HOUSING ASSEMBLY	

KIT P/N	DESCRIPTION	PARTS	KIT P/N	DESCRIPTION	PARTS
CT6KIT-201	KIT, HOUSING, INLET MM, OUTLET 1"NPT, EPDM	CT6-003 CT6-017 EP-94 SS6P-41 SS6P-35EPDM S10-08	CT6KIT-207	KIT, HOUSING, INLET 2"NPT, OUTLET 1"NPT, VITON	CT6-005 CT6-017 EP-94 SS6P-41 SS6P-35 S10-04
CT6KIT-202	KIT, HOUSING, INLET MM, OUTLET 3/4" BSPP, EPDM	CT6-004 CT6-017 EP-94 SS6P-41 SS6P-35EPDM S10-08	CT6KIT-208	KIT, HOUSING, INLET 1"BSPP, OUTLET 3/4"BSPP, VITON	CT6-006 CT6-017 EP-94 SS6P-41 SS6P-35 S10-04
CT6KIT-203	KIT, HOUSING, INLET 2"NPT, OUTLET 1"NPT, EPDM	CT6-005 CT6-017 EP-94 SS6P-41 SS6P-35EPDM S10-08	CT6KIT-209	KIT, HOUSING, INLET MM, OUTLET 1"NPT, SANTOPRENE	CT6-003 CT6-017 EP-94 SS6P-41 CT6-041 CT6-040
CT6KIT-204	KIT, HOUSING, INLET 1"BSPP, OUTLET 3/4"BSPP, EPDM	CT6-006 CT6-017 EP-94 SS6P-41 SS6P-35EPDM S10-08	CT6KIT-210	KIT, HOUSING, INLET MM, OUTLET 3/4" BSPP, SANTOPRENE	CT6-004 CT6-017 EP-94 SS6P-41 CT6-041 CT6-040
CT6KIT-205	KIT, HOUSING, INLET MM, OUTLET 1"NPT, VITON	CT6-003 CT6-017 EP-94 SS6P-41 SS6P-35 S10-04	CT6KIT-211	KIT, HOUSING, INLET 2"NPT, OUTLET 1"NPT, SANTOPRENE	CT6-005 CT6-017 EP-94 SS6P-41 CT6-041 CT6-040
CT6KIT-206	KIT, HOUSING, INLET MM, OUTLET 3/4" BSPP, VITON	CT6-004 CT6-017 EP-94 SS6P-41 SS6P-35 S10-04	CT6KIT-212	KIT, HOUSING, INLET 1"BSPP, OUTLET 3/4"BSPP, SANTOPRENE	CT6-006 CT6-017 EP-94 SS6P-41 CT6-041 CT6-040



KIT P/N	DESCRIPTION	PARTS
CT6KIT-301	VALVE PLATE ASSEMBLY, EPDM	CT6-013 CT6-015 S10-08
CT6KIT-302	VALVE PLATE ASSEMBLY, VITON	CT6-013 CT6-016 S10-04
CT6KIT-303	VALVE PLATE ASSEMBLY, SANTOPRENE	CT6-013 CT6-039 CT6-040
CT6KIT-303	VALVE PLATE ASSEMBLY, EPDM, HF	CT6-014 CT6-015 S10-08
CT6KIT-304	VALVE PLATE ASSEMBLY, VITON, HF	CT6-014 CT6-016 S10-04
CT6KIT-302	VALVE PLATE ASSEMBLY, SANTOPRENE	CT6-014 CT6-039 CT6-040

