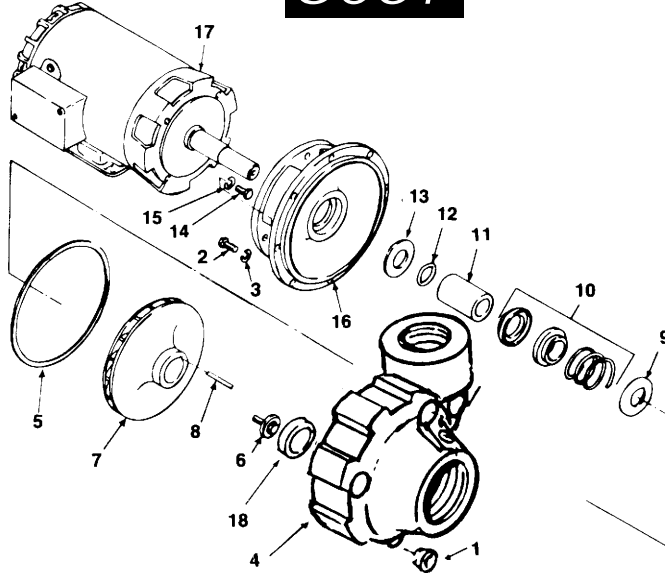


WE 50, 52, 53, 54, 55, 56

1-1/2 - 15 HP - 1-1/2" Seal

SCOT



COMMON PARTS FOR WE PUMPS — 1½ - 15 H.P.

KEY NO.	PART NUMBER	QTY.	PART NAME	KEY NO.	PART NUMBER	QTY.	PART NAME
1A	106.000.284	2	Drain Plug Steel	11A	110.000.178	1	Sleeve Bronze
1B	107.000.215	2	Drain Plug Brass	11B	110.000.284	1	Sleeve 316 Stn. Stl.
4	See Chart	1	Case	12	116.000.117	1	O-Ring Buna
5	116.000.157	1	Gasket	13	104.000.165	1	Flinger
6	118.000.163	1	Imp. Ret. Ass'y	16A	132.000.202	1	Adapter Iron 4½ AK
7	See Chart Pg. 11	1	Impeller	16C	132.000.228	1	Adapter Brnz. 4½ AK
8	102.000.102	1	Key	16B	132.000.213	1	Adapter Iron 8½ AK
9	104.000.174	1	Retainer, Seal Spring	16D	132.000.223	1	Adapter Brnz. 8½ AK
10A	101.000.168	1	Seal Buna - Ceramic	17	See Chart	1	Motor (JM Frame)
10B	101.000.191	1	Seal Viton - Ceramic	18	See Chart	1	Wear Ring
10C	101.000.175	1	Seal Viton -Niresist				

CASES

MODEL NO.	SIZE	IRON	BRONZE
WE 50	2 x 1½ NPT	130.000.257	130.000.272
WE 52	2½ x 2 NPT	130.000.219	130.000.218
WE 53, 54	2½ x 2½ FLG	130.000.184	130.000.220
	3 x 2½ NPT	130.000.249	130.000.249B
WE 55, 56	3 x 3 FLG	130.000.185	130.000.237
	3 x 3 NPT	130.000.243	N/A
	4 x 3 NPT	130.000.244	N/A

MOTORS — 60 HERTZ - JM FRAME

H.P.	1 PHASE		3 PHASE	
	ODP	TEFC	ODP	TEFC
1½	N/A	N/A	113.000.798	N/A
2	113.000.442	113.000.736	113.000.350	113.000.736
3	113.000.400	113.000.363	113.000.351	113.000.363
5	113.000.492	113.000.401	113.000.352	113.000.401
7½	113.000.690*	113.000.363*	113.000.353	113.000.363*
10	113.000.792*	113.000.419*	113.000.376*	113.000.419*
15	N/A	113.000.412*	113.000.377*	113.000.412*

* Requires 8½ AK adapter; Balance require 4½ AK adapter

WEAR RINGS

MODEL NO.	STEEL	BRONZE
WE 50	103.000.155	103.000.135
WE 52	103.000.154	103.000.136
WE 53, 54	103.000.153	103.000.137
WE 55, 56	103.000.152	103.000.138



Impeller Selection Chart for WE & KWE Pumps 1/4 - 15 HP

WE 50, KWE 50

IMPELLER DIAMETER	IRON	BRONZE
6½"	131.000.460	131.000.300
6¾	131.000.461	131.000.423
6¼	131.000.462	131.000.334
6	131.000.463	131.000.358
5¾	131.000.464	131.000.410
5¾	131.000.465	131.000.301
5½	131.000.466	131.000.353
5¾	131.000.570	—
5½	131.000.468	131.000.415
4¾	131.000.607	—
4½	131.000.611	—
4¼	131.000.575	131.000.300C
4½	131.000.599	—

WE 54, KWE 54

IMPELLER DIAMETER	IRON	BRONZE
6½"	131.000.472	131.000.309
6¼	131.000.579	—
6	131.000.473	131.000.348
5½	131.000.474	131.000.359
5¾	131.000.621	131.000.309B
5¼	131.000.608	—
5	131.000.604	—
4¾	131.000.475	131.000.408
4½	131.000.545	—
4¾	131.000.566	—

WE 52, KWE 52

IMPELLER DIAMETER	IRON	BRONZE
6½"	131.000.451	131.000.307
6¾	131.000.452	131.000.429
6¼	131.000.451C	131.000.618
6	131.000.453	131.000.317
5¾	131.000.576	—
5¾	131.000.454	131.000.327
5¾	131.000.456	131.000.469
5½	131.000.455	131.000.349
5¼	131.000.457	131.000.394
4¾	131.000.458	131.000.399
4¾	131.000.459	131.000.420

WE 55, KWE 55

IMPELLER DIAMETER	IRON	BRONZE
6½"	131.000.514	131.000.310
6½	131.000.515	131.000.425
6	131.000.516	131.000.398
5¾	131.000.580	—
5¾	131.000.517	131.000.405
5¾	131.000.518	131.000.369
5½	131.000.585	—
5	131.000.563	131.000.310A
4¾	131.000.519	131.000.338
4½	131.000.520	131.000.477
4¼	131.000.521	131.000.478

WE 53, KWE 53

IMPELLER DIAMETER	IRON	BRONZE
6½"	131.000.523	131.000.308
6¾	131.000.590	131.000.308C
6¼	131.000.571	131.000.308D
6½	131.000.614	—
6	131.000.524	131.000.312
5¾	131.000.523A	131.000.377
5¾	131.000.612	—
5½	131.000.525	131.000.339
5	131.000.564	—

WE 56, KWE 56

IMPELLER DIAMETER	IRON	BRONZE
6½"	131.000.427	131.000.311
6¾	131.000.568	—
6¼	131.000.427D	131.000.395
6½	131.000.430	131.000.422
6	131.000.538	131.000.407
5¾	131.000.435	131.000.378
5¾	131.000.436	131.000.328
5½	131.000.437	—
5¾	131.000.592	131.000.388
5¼	131.000.427C	131.000.413
5½	131.000.431	131.000.355
4¾	131.000.616	—
4¾	131.000.613	—
4¾	—	131.000.389
4¾	131.000.432	131.000.324