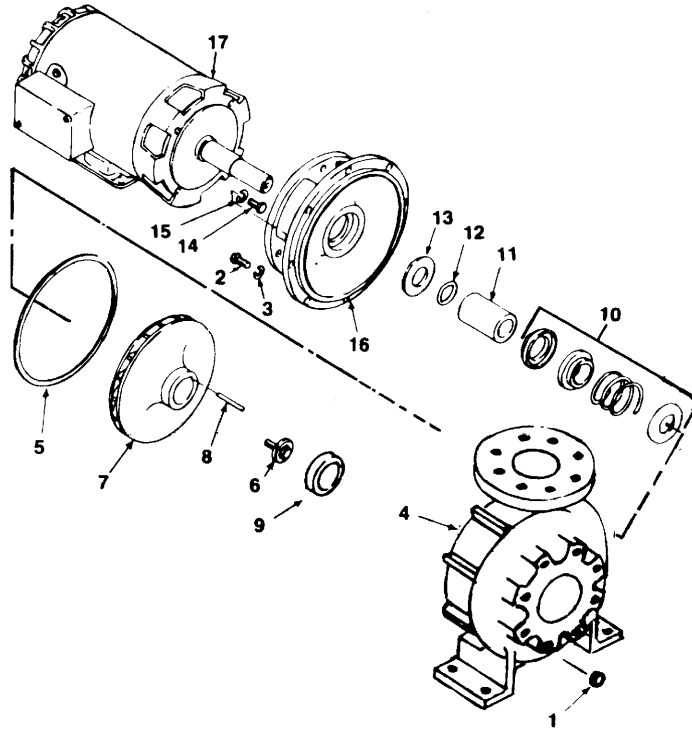


TE 63, KTE 63

7-1/2 - 60 HP - 1-3/4" Seal

SCOT



COMMON PARTS FOR TE 63, KTE 63, PUMPS — 7½ - 60 H.P.

KEY NO.	PART NUMBER	QTY.	PART NAME	KEY NO.	PART NUMBER	QTY.	PART NAME
1	106.000.102	1	Drain Plug, Steel	10A	101.000.196	1	Seal Buna - Ceramic
1A	107.000.128	1	Drain Plug, Erass	10B	101.000.216	1	Seal Viton - Ceramic
4	130.000.256	1	Case, Iron	10C	101.000.221	1	Seal Viton - Niresist
5	116.000.240	1	O-Ring Buna	11	110.000.308	1	Sleeve Stn. Stl.
6A	105.000.385	1	Impeller Ret. Stud	12	116.000.241	1	O-Ring Buna
6B	110.000.304	1	Impeller Ret. Nut	13	110.000.307	1	Flinger
7	See Chart	1	Impeller	16A	132.000.269	1	Adapter Iron 8½ AK
8	102.000.257	1	Key 1¼ Bore Imp.	16B	132.000.271	1	Adapter Iron 12½ AK
9A	110.000.301	2	Wear Ring, Brnz.	17	See Chart	1	Motor (JP Frame)
9B	110.000.300	2	Wear Ring, Strn. Stl.				

IMPELLERS

DIA	IRON	BRONZE
9.0	131.000.643	131.000.641
8.9	—	131.000.641I
8.4	131.000.643C	131.000.641L
8.2	131.000.643B	131.000.641K
8.0	131.000.643D	131.000.641F
7.9	—	131.000.641G
7.7	—	131.000.641D
7.5	131.000.643E	131.000.641J
7.2	—	131.000.641A
6.7	131.000.643A	131.000.641B
6.5	131.000.643F	131.000.641M
6.2	—	131.000.641C

MOTORS — 60 HERTZ - JP FRAME KTE 63 - 1725 RPM

H.P.	3 PHASE ODP	3 PHASE TEFC
7-1/2	113.000.733	113.000.757
10	113.000.720	113.000.776
15	113.000.742	113.000.799
20	113.000.791	—

TE 63 - 3450 RPM

H.P.	3 PHASE ODP	3 PHASE TEFC
25	113.000.749	—
30	113.000.745*	113.000.740*
40	113.000.741*	113.000.734*
50	113.000.750*	113.000.809*
60	113.000.810*	N/A

*Requires 12-1/2 AK Adapter & 1-1/4" Bore Imp.

Balance requires 8-1/2 AK Adapter & 1-1/4" Bore Imp.