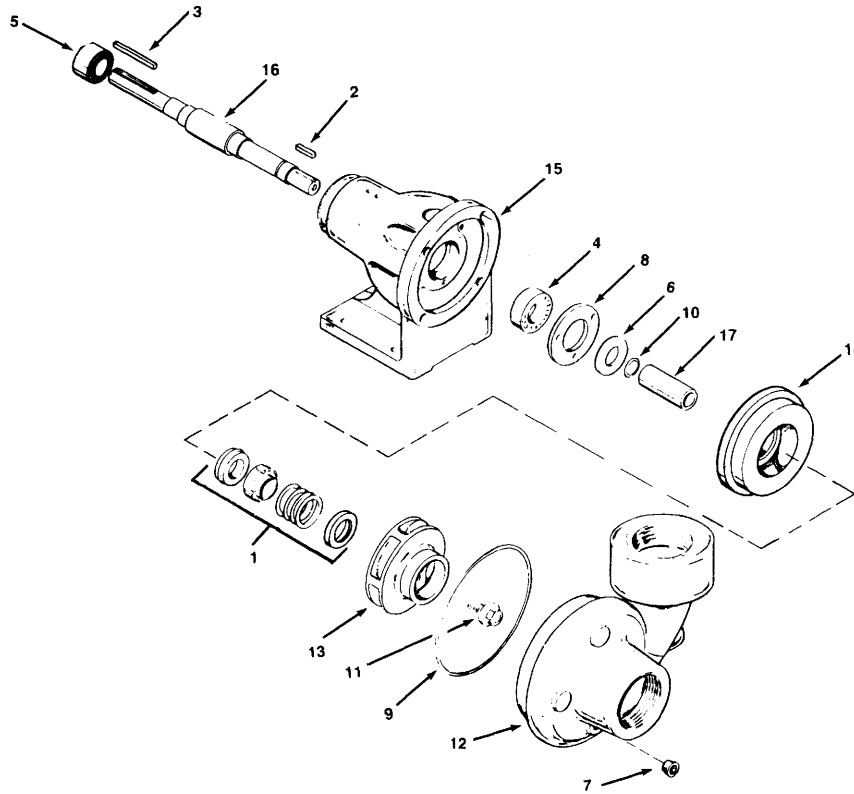


SSD 517, 514, 5144, 514F

SCOT



KEY NO.	PART NUMBER	QTY.	PART NAME	KEY NO.	PART NUMBER	QTY.	PART NAME
1A	101.000.194	1	Seal, Viton-Ceramic	9	116.000.146	1	O-Ring, Case
1B	101.000.203	1	Seal, Viton-Lime Duty	10	116.000.193	1	O-Ring, Shaft
2	102.000.102	1	Key, Impeller	11	118.000.111	1	Impeller Ret. Assy.
3	102.000.130	1	Key, Pulley	12	See Chart	1	Case
4	103.000.146	1	Bearing (Pump end)	13	See Chart	1	Impeller
5	103.000.150	1	Bearing (Shaft end)	14	132.000.224	1	Backplate
6	104.000.107	1	Flinger	15	132.000.237	1	Pedestal
7	108.000.126	1	Drain Plug	16	135.000.203	1	Shaft
8	110.000.244	1	Retainer, Bearing	17	135.000.187	1	Sleeve

IMPELLER AND CASE SELECTION CHART

MODEL NO.	SIZE	IMPELLER	CASE
SSD 517	2 × 2 NPT	131.000.660	130.000.265
SSD 514	3 × 3 HB	131.000.370	130.000.199
SSD 5144	4 × 3 HB	131.000.370	130.000.242
SSD 514F	3 × 3 FLG	131.000.370	130.000.263