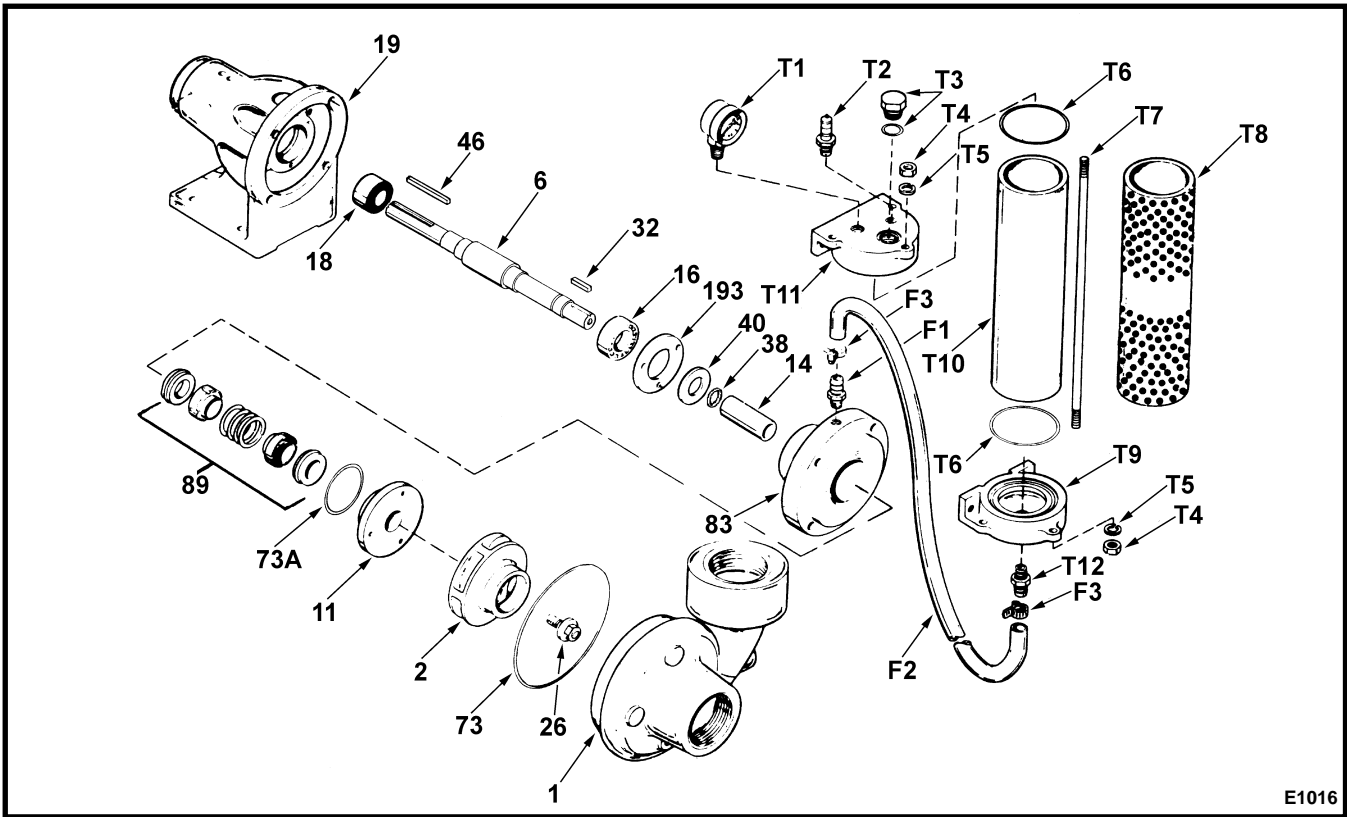


FRAMEPUMP™ - PSP 151, 202, 252, 303, 303HB, 303SP, 403HB PRESSURSEAL® ALL IRON



E1016

KEY NO.	PART NAME	PART NO.
1	CASE	See Chart
2	IMPELLER	See Chart
11	SEAL PLATE	132.000.159
14 ●	SLEEVE	110.000.251
26 ●	IMPELLER RETAINER	118.000.111A
38 ●	O-RING, SHAFT	116.000.193
40 ●	FLINGER	104.000.107
73 ●	GASKET, CASE	116.000.146
73A ●	O-RING, PLATE	116.000.143
83	BACKPLATE	132.000.250
89 ●	SEAL VN-CM	101.000.210
F1	FITTING	106.000.323
F2	HOSE	108.000.160A
F3	CLAMP (2 REQ'D)	106.000.370
	BEARING FRAME ASS'Y CONSISTING OF:	F1180444 118.000.444
6 ○	SHAFT, ASS'Y	135.000.196X
16	BEARING	103.000.146
18	BEARING	103.000.150
19	FRAME	132.000.237
32 ●○	KEY	102.000.102
46 ○	KEY	102.000.130
193	RETAINER	110.000.244
--	REPAIR KIT	118.000.353
● DENOTES COMPONENTS INCLUDED IN REPAIR KIT ○ DENOTES COMPONENTS INCLUDED WITH SHAFT ASS'Y		

CASES & IMPELLERS

MODEL NO.	CASE	IMPELLER
PSP 151	130.000.181X	131.000.135
PSP 202	130.000.168X	131.000.470
PSP 252	130.000.166X	131.000.141A
PSP 303	130.000.224AX	131.000.286
PSP 303HB	130.000.215X	131.000.286
PSP 303SP	130.000.295X	131.000.305
PSP 403HB	130.000.223X	131.000.286

118.000.236 TANK ASSEMBLY

KEY NO.	PART DESCRIPTION	PART NO.
T1	GAUGE	102.000.212
T2	VALVE	106.000.120
T3	PLUG	106.000.322
T4	NUT	105.000.196
T5	LOCKWASHER	104.000.121
T6	O-RING	116.000.152
T7	STUD	105.000.322
T8	GUARD	119.000.314
T9	END	136.000.166
T10	TUBE	108.000.159
T11	END	135.000.165
T12	FITTING	106.000.323