



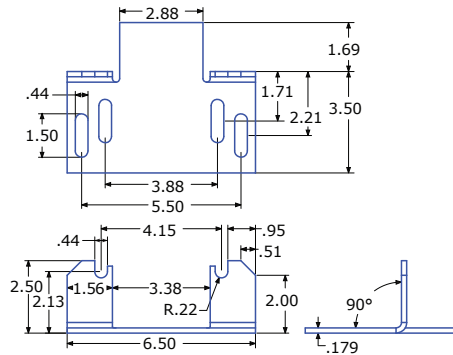
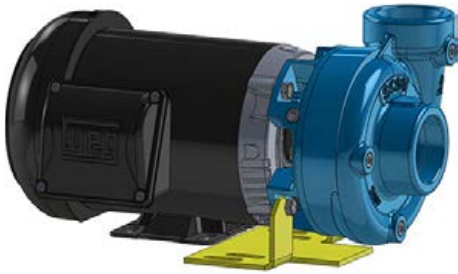
A WILO COMPANY

# MOTORPUMP™ — 3500 RPM

Iron, 60 Hz, 2 X 2 X 4.38 NPT

# LFE 471

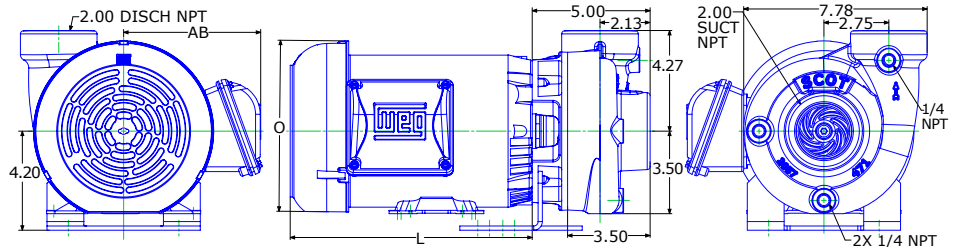
J56



### Motor Dimensions NEMA J56 Frame 3500 RPM

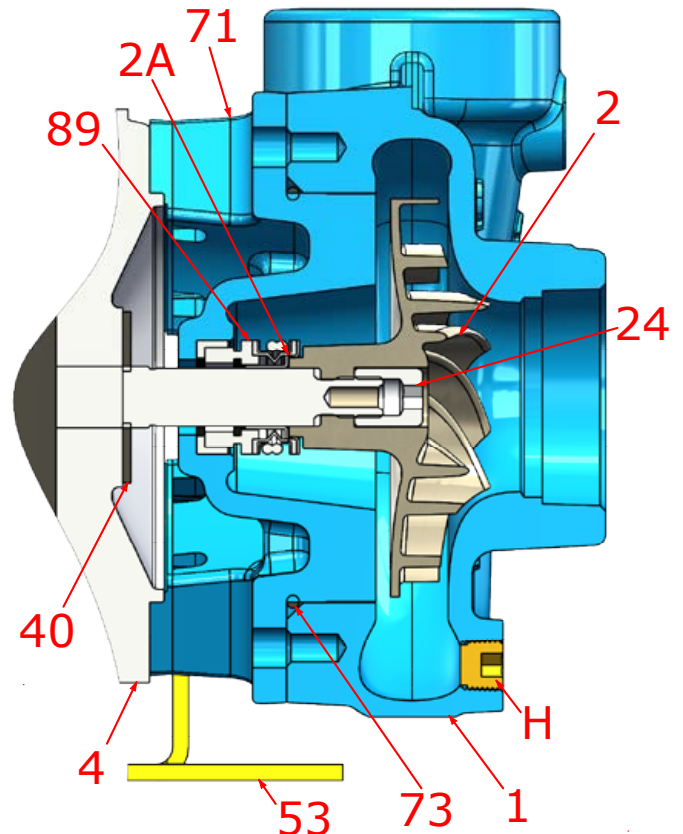
HP	Type	3 Phase			1 Phase		
		L	O	AB	L	O	AB
0.50	TEFC	9.48	7.33	5.87	9.43	8.10	5.31
0.75	TEFC	9.48	7.33	5.87	9.43	8.10	5.31
1.0	TEFC	10.27	7.33	5.87	10.59	8.10	5.31
1.5	TEFC	11.06	7.33	5.87	10.59	8.10	5.31
2.0	TEFC	11.85	7.33	5.87	11.77	8.10	5.31
3.0	TEFC	13.03	7.33	5.87	12.16	8.10	5.31
5.0	TEFC	15.37	9.22	6.70	-	-	-

Motors are Standard Efficient with the exception of the 1-5HP 3 phase, which are Premium Efficient.



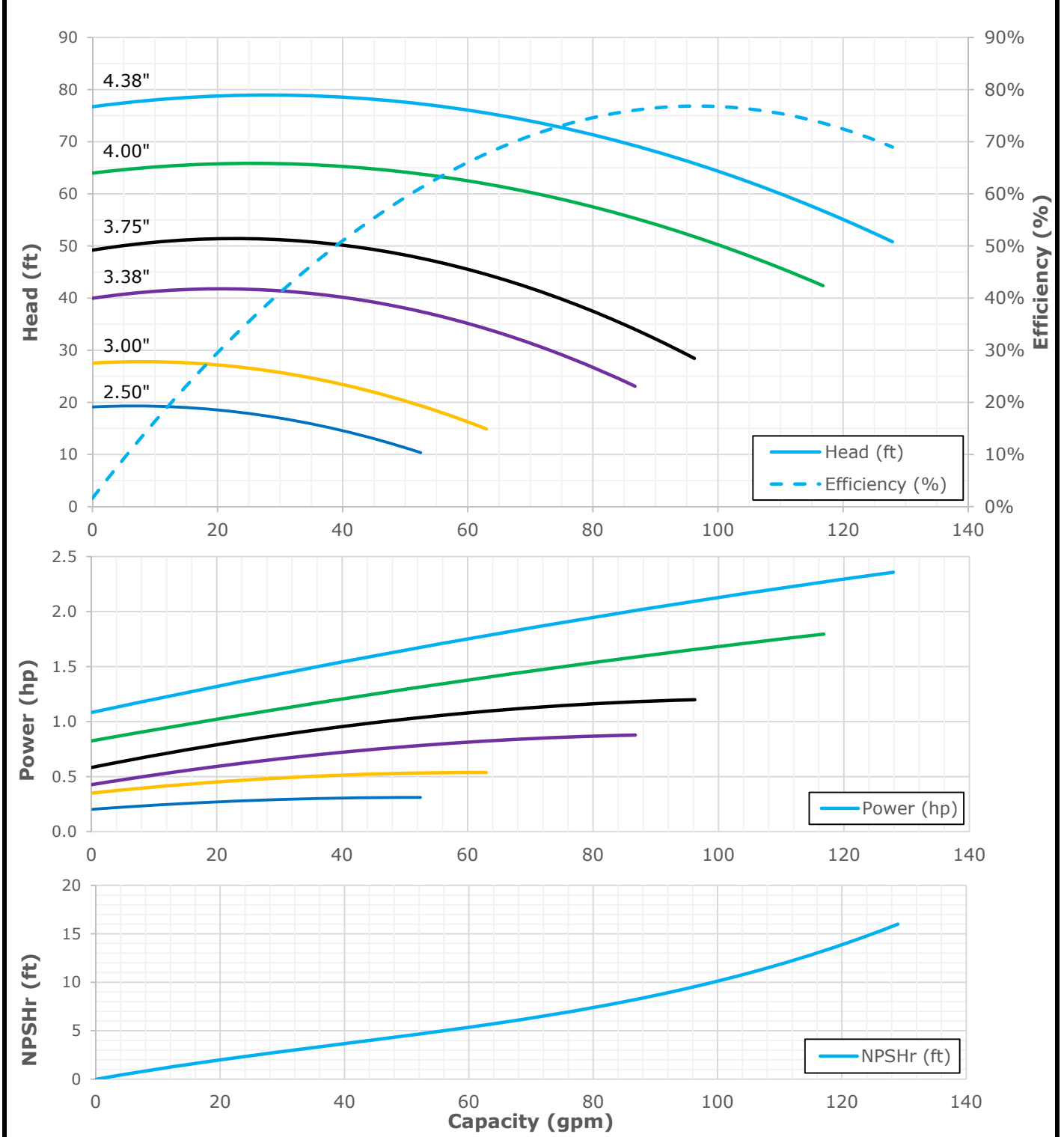
### Construction Options

Key	Part Name	All Iron
1	Case	Ductile Iron
2	Impeller	304SS
2A	Shim	304SS
24	Impeller Locknut	Stainless
40	Flinger	Neoprene
53	Base	Steel
71	Adapter	Ductile Iron
73	Gasket, Case	Buna
89	Mechanical Seal, Type 6 VN-CM	Standard
H	Plug, Drain	Plated Steel

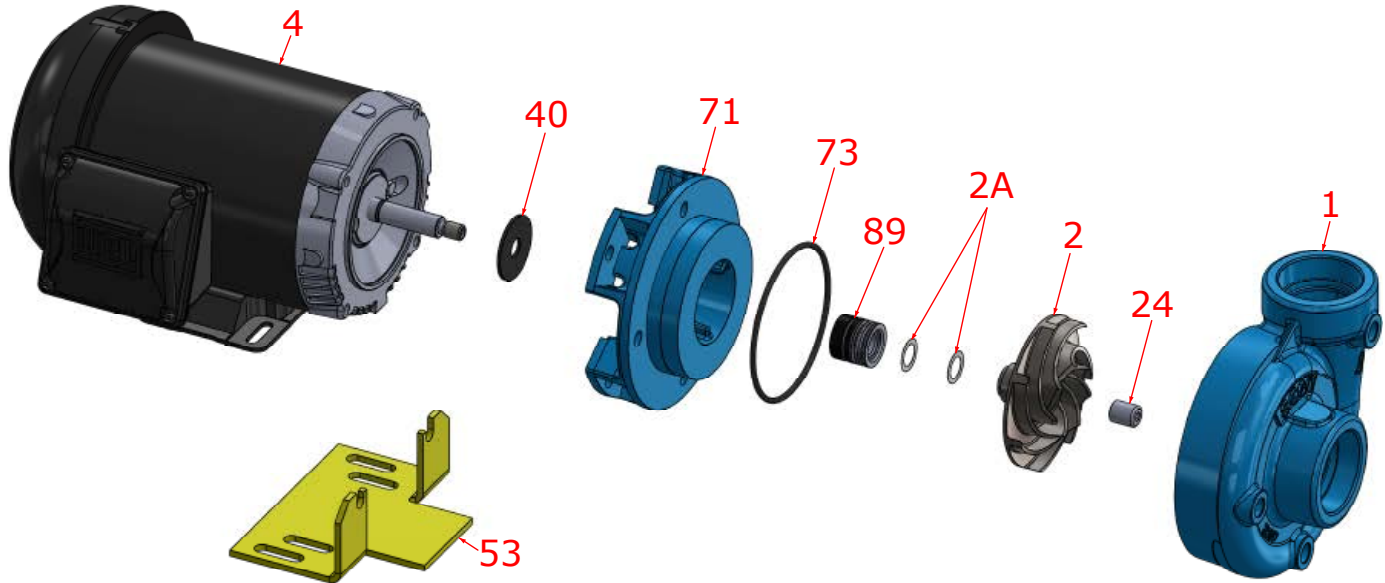


**Performance Curve**

Performance Curve	Pump <b>471</b>	1.00 S.G.	Imp. Type: Semi-Open	3500 RPM	Max Sphere: 5/16"
Number: 40.000.779	2.0 X 2.0 X 4.38	70.0 °F	2/12/2020	60 Hz	PEI <sub>CL</sub> 0.87



**Parts**



Key No.	Part Name	Part Number	
1	Case 471, Ductile Iron, 2.00 X 2.00 NPT Brass plugs	3301099X1	
2	Impeller 471, 304SS, Specify Dia, 4.37 Max 7/16" Thrd	3301112	
2A	Shim, 304SS, .005"	137.002.766	
	Shim, 304SS, .010"	137.002.767	
4	Motor chart, J56 3.5" Rigid Base	See Chart	
	Motor chart, J56 4.5" Rigid Base	See Chart	
24*+	Nut, Stainless	110.000.190	
40*	Flinger, Neoprene	104.000.171	
53	Base, Steel	3301100	
71	Adapter, Ductile Iron, J56, 5/8" Seal, with Cad plug	3301102X1	
73*	Gasket, Case, Buna	116.000.141	
89*	Seal, 5/8", Type 21, VN-CARB/CM, With retainer	101.000.103	
	Seal, 5/8", Type 21, VN-SIL/SIL, With retainer	101.000.239	
KIT		<b>3 Phase:</b>	<b>1 Phase:</b>
	Repair Kit, 5/8" VN-CARB/CM Seal	118.000.686A	118.000.686A.1
	Repair Kit, 5/8" VN-SIL/SIL Seal	118.000.686F	118.000.686F.1

\* Denotes components included in repair kit.

+ Not required on 1/3 to 1-1/2 HP 1 phase motors.

Use 3 phase kits on 2-3 HP 1 phase motors.

**Motor Charts**

