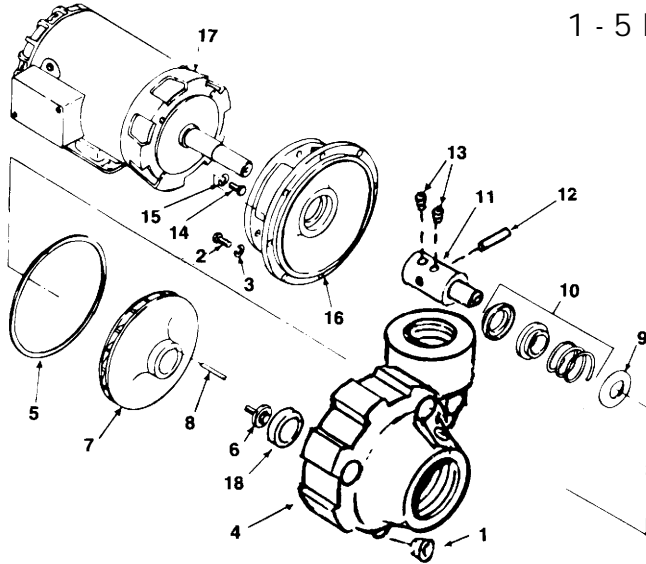


KWE 50, 52, 53, 54, 55, 56

1/4 - 3/4 HP
1 - 5 HP



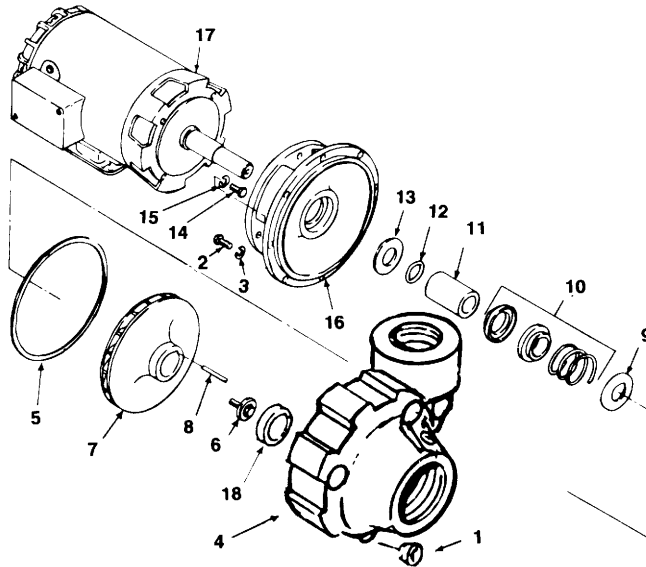
COMMON PARTS FOR KWE PUMPS

KEY NO.	PART NUMBER	QTY	PART NAME
1A	106.000.284	2	Drain Plug Steel
1B	107.000.215	2	Drain Plug Brass
4	See Chart	1	Case
5	116.000.157	1	Gasket
6	118.000.163	1	Imp. Ret. Ass'y
7	See Chart Pg. 11	1	Impeller
8	102.000.102	1	Key, Impeller
9	104.000.174	1	Retainer, Seal
10A	101.000.168	1	Seal Buna - Ceramic
10B	101.000.191	1	Seal Viton - Ceramic
10C	101.000.175	1	Seal Viton - Niresist
11A	135.000.165	1	Stub Shaft, Bronze
11B	135.000.174	1	Stub Shaft, Stn. Stl.
12	105.000.354	1	Groove Pin
13	105.000.313	2	Set Screws
16A	132.000.202	1	Adapter Iron 4½ AK
16B	132.000.222	1	Adapter Bronze 4½ AK
17	See Chart	1	Motor (56 C Frame)
18	See Chart	1	Wear Ring

KWE 50 52 53 54 55 56

1 - 5 H.P.

COMMON PARTS FOR KWE PUMPS



KEY NO.	PART NUMBER	QTY	PART NAME
1A	106.000.284	2	Drain Plug Steel
1B	107.000.215	2	Drain Plug Brass
4	See Chart	1	Case
5	116.000.157	1	Gasket
6	118.000.163	1	Imp. Ret. Ass'y
7	See Chart Pg. 11	1	Impeller
8	102.000.102	1	Key
9	104.000.174	1	Retainer, Seal
10A	101.000.168	1	Seal Buna - Ceramic
10B	101.000.191	1	Seal Viton - Ceramic
10C	101.000.175	1	Seal Viton - Niresist
11A	110.000.178	1	Sleeve Brass
11B	110.000.284	1	Sleeve 316 Stn. Stl.
12	116.000.117	1	O-Ring Buna
13	104.000.165	1	Flinger
16A	132.000.202	1	Adapter Iron 4½ AK
16B	132.000.228	1	Adapter Brnz. 4½ AK
17	See Chart	1	Motor (JM Frame)
18	See Chart	1	Wear Ring

CASES

MODEL NO.	SIZE	IRON	BRONZE
KWE 50	2 x 1½ NPT	130.000.257	130.000.272
KWE 52	2½ x 2 NPT	130.000.219	130.000.218
KWE 53, 54	2½ x 2½ FLG	130.000.184	130.000.220
KWE 55, 56	3 x 2½ NPT	130.000.249	130.000.249B
	3 x 3 FLG	130.000.185	130.000.237
	3 x 3 NPT	130.000.243	N/A

NOTE: For impeller selection chart see page 11.

MOTORS — 60 HERTZ - 56C FRAME

H.P.	1 PHASE		3 PHASE	
	ODP	TEFC	ODP	TEFC
1/3	113.000.170	113.000.229	113.000.173	113.000.453
1/2	113.000.171	113.000.225	113.000.174	113.000.282
3/4	113.000.172	—	113.000.306	113.000.290

MOTORS — 60 HERTZ - JM FRAME

H.P.	1 PHASE		3 PHASE	
	ODP	TEFC	ODP	TEFC
1	—	—	113.000.451	113.000.501
1-1/2	113.000.719	—	113.000.375	113.000.686
2	113.000.687	—	113.000.417	113.000.728
3	—	—	113.000.418	113.000.510
5	—	—	113.000.595	113.000.675

WEAR RINGS

MODEL NO.	STEEL	BRONZE
KWE 50	103.000.155	103.000.135
KWE 52	103.000.154	103.000.136
KWE 53, 54	103.000.153	103.000.137
KWE 55, 56	103.000.152	103.000.138



Impeller Selection Chart for WE & KWE Pumps 1/4 - 15 HP

WE 50, KWE 50

IMPELLER DIAMETER	IRON	BRONZE
6½"	131.000.460	131.000.300
6¾	131.000.461	131.000.423
6¼	131.000.462	131.000.334
6	131.000.463	131.000.358
5¾	131.000.464	131.000.410
5¾	131.000.465	131.000.301
5½	131.000.466	131.000.353
5¾	131.000.570	—
5½	131.000.468	131.000.415
4¾	131.000.607	—
4½	131.000.611	—
4¼	131.000.575	131.000.300C
4½	131.000.599	—

WE 54, KWE 54

IMPELLER DIAMETER	IRON	BRONZE
6½"	131.000.472	131.000.309
6¼	131.000.579	—
6	131.000.473	131.000.348
5½	131.000.474	131.000.359
5¾	131.000.621	131.000.309B
5¼	131.000.608	—
5	131.000.604	—
4¾	131.000.475	131.000.408
4½	131.000.545	—
4¾	131.000.566	—

WE 52, KWE 52

IMPELLER DIAMETER	IRON	BRONZE
6½"	131.000.451	131.000.307
6¾	131.000.452	131.000.429
6¼	131.000.451C	131.000.618
6	131.000.453	131.000.317
5¾	131.000.576	—
5¾	131.000.454	131.000.327
5¾	131.000.456	131.000.469
5½	131.000.455	131.000.349
5¼	131.000.457	131.000.394
4¾	131.000.458	131.000.399
4¾	131.000.459	131.000.420

WE 55, KWE 55

IMPELLER DIAMETER	IRON	BRONZE
6½"	131.000.514	131.000.310
6½	131.000.515	131.000.425
6	131.000.516	131.000.398
5¾	131.000.580	—
5¾	131.000.517	131.000.405
5¾	131.000.518	131.000.369
5½	131.000.585	—
5	131.000.563	131.000.310A
4¾	131.000.519	131.000.338
4½	131.000.520	131.000.477
4¼	131.000.521	131.000.478

WE 53, KWE 53

IMPELLER DIAMETER	IRON	BRONZE
6½"	131.000.523	131.000.308
6¾	131.000.590	131.000.308C
6¼	131.000.571	131.000.308D
6½	131.000.614	—
6	131.000.524	131.000.312
5¾	131.000.523A	131.000.377
5¾	131.000.612	—
5½	131.000.525	131.000.339
5	131.000.564	—

WE 56, KWE 56

IMPELLER DIAMETER	IRON	BRONZE
6½"	131.000.427	131.000.311
6¾	131.000.568	—
6¼	131.000.427D	131.000.395
6½	131.000.430	131.000.422
6	131.000.538	131.000.407
5¾	131.000.435	131.000.378
5¾	131.000.436	131.000.328
5½	131.000.437	—
5¾	131.000.592	131.000.388
5¼	131.000.427C	131.000.413
5½	131.000.431	131.000.355
4¾	131.000.616	—
4¾	131.000.613	—
4¾	—	131.000.389
4¾	131.000.432	131.000.324