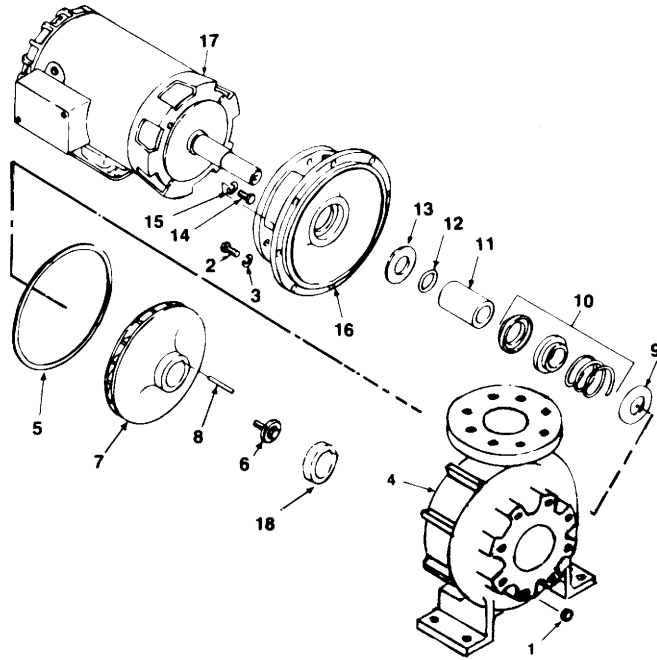


V279 • 12/97

KTE 63

3 - 5 HP - 1-1/2" Seal

SCOT



COMMON PARTS FOR KTE 63 PUMPS — 3 - 5 H.P.

KEY NO.	PART NUMBER	QTY.	PART NAME	KEY NO.	PART NUMBER	QTY.	PART NAME
1A	106.000.102	2	Drain Plug Steel	10B	101.000.191	1	Seal Viton - Ceramic
1B	107.000.128	2	Drain Plug Brass	10C	101.000.175	1	Seal Viton - Niresist
4	130.000.256	1	Case Iron	11	110.000.309	1	Sleeve Stn. Stl.
5	116.000.240	1	O-Ring Buna	12	116.000.116	1	O-Ring Buna
6A	105.000.346	1	Imp. Retaining Stud	13	104.000.306	1	Flinger
6B	110.000.305	1	Imp. Retaining Nut	16	132.000.268	1	Adapter Iron 4½/8½ AK
7	See Chart	1	Impeller	17	See Chart	1	Motor (JP Frame)
8	102.000.256	1	Key 7/8 Bore Imp.	18A	110.000.301	2	Wear Ring, Bronze
9	104.000.174	1	Retainer, Seal Spring	18B	110.000.300	2	Wear Ring, Stn. Stl.
10A	101.000.168	1	Seal Buna - Ceramic				

IMPELLERS

DIAMETER	BRONZE	IRON
7.5	131.000.642E	—
7.1	131.000.642A	131.000.644A
7.0	131.000.642B	—
6.5	—	—

MOTORS — 60 HERTZ — JM FRAME

H.P.	3 PHASE ODP	3 PHASE TEFC
3	113.000.224	—
5	113.000.732	113.000.815