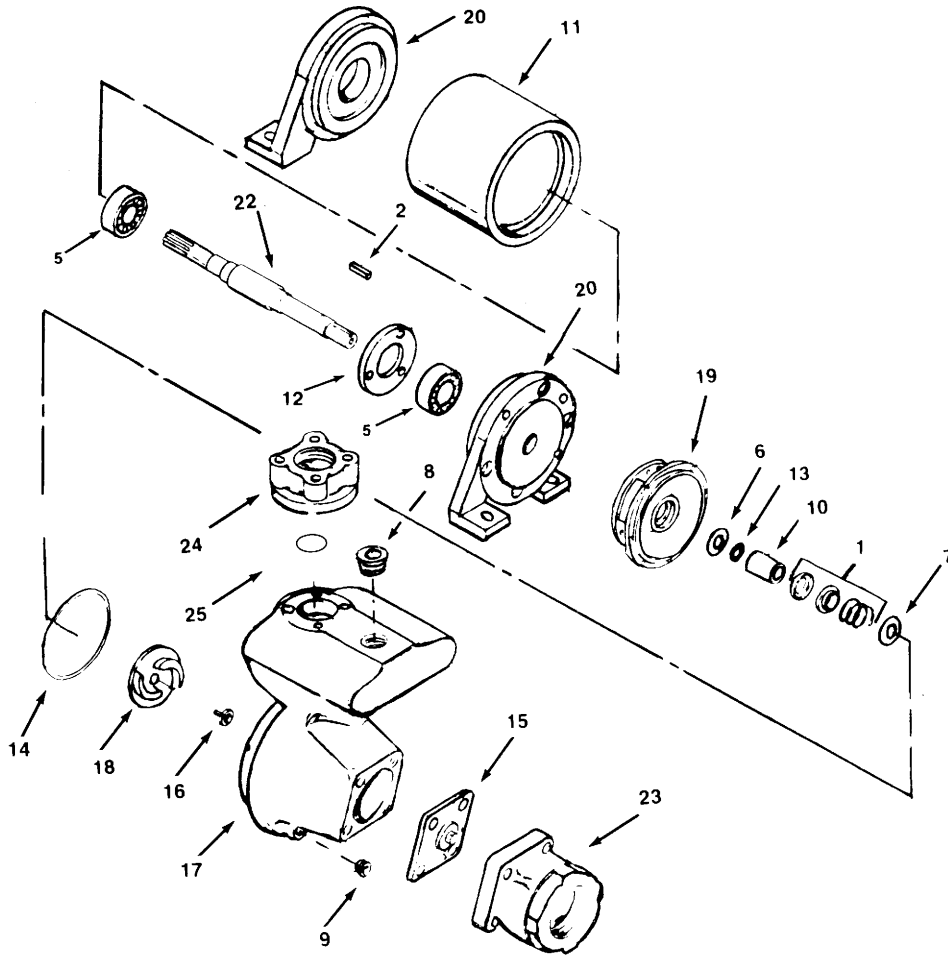


# HYS 303SP, 403SP

## SCOT



KEY NO.	PART NUMBER	QTY.	PART NAME	KEY NO.	PART NUMBER	QTY.	PART NAME
1A	101.000.191	1	Seal, Viton-Ceramic	14	116.000.146	1	O-Ring, Case
1B	101.000.204	1	Seal, Viton-Lime Duty	15A	118.000.168	1	Flapper, Buna
2	102.000.102	1	Key, Impeller	15B	118.000.226	1	Flapper, EPDM
*	Contact factory	1	Motor, Hydraulic	16	118.000.111	1	Impeller Ret. Assy.
*	102.000.211	1	Coupling, Splined	17	130.000.178	1	Casing
5	103.000.146	2	Bearing	18	131.000.304	1	Impeller
6	104.000.165	1	Flinger, Shaft	19	132.000.194	1	Adapter
7	104.000.202	1	Retainer, Seal	20	132.000.232	2	End Bracket
8	106.000.172	1	Prime Plug	*	132.000.249	1	Adapter Hyd. Motor
9	106.000.284	1	Drain Plug	22	135.000.193	1	Shaft
10	110.000.284	1	Sleeve, 316 Stn. Stl.	23A	136.000.146	1	Flange, Suction 3"
11	110.000.231	1	Shell	23B	136.000.150	1	Flange, Suction 4"
12	110.000.244	1	Retainer, Bearing	24	136.000.147	1	Flange, Disch. 3"
13	116.000.117	1	O-Ring, Shaft	25	116.000.153	1	O-Ring, Disch. Flg.

\*Not shown in exploded view