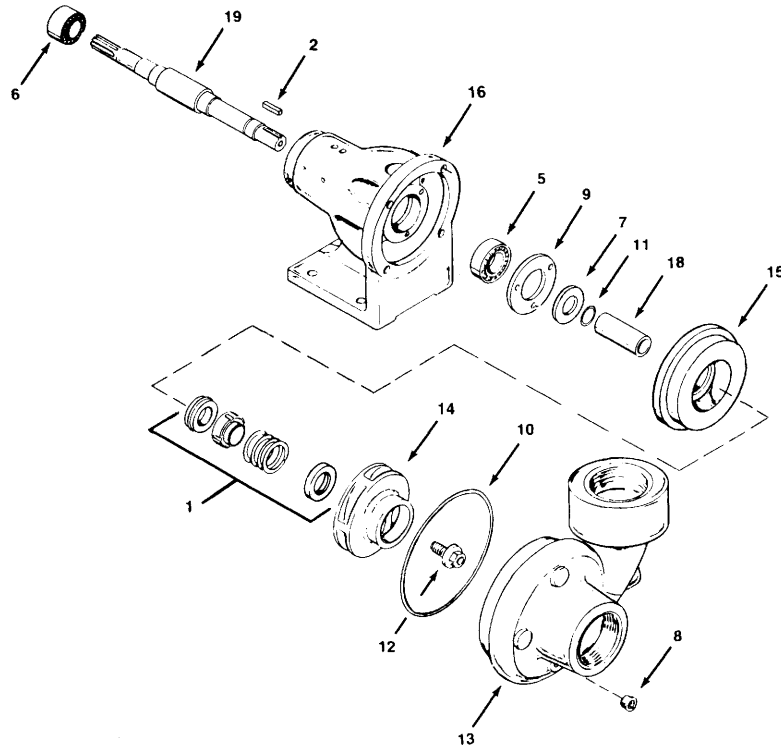


HYD 202, 252, 303, 303HB, 403HB

SCOT



KEY NO.	PART NUMBER	QTY.	PART NAME	KEY NO.	PART NO.	QTY.	PART NAME
1A	101.000.194	1	Seal, Viton-Ceramic	10	116.000.146	1	O-Ring, Case
1B	101.000.203	1	Seal, Viton-Lime Duty	11	116.000.193	1	O-Ring, Shaft
2	102.000.102	1	Key, Impeller	12	118.000.111	1	Impeller Ret. Assy.
*	Contact factory	1	Motor, Hydraulic	13	See Chart	1	Case
*	102.000.211	1	Coupling, Splined	14	See Chart	1	Impeller
5	103.000.146	1	Bearing, (Pump end)	15	132.000.183	1	Backplate
6	103.000.150	1	Bearing, (Shaft end)	16	132.000.237	1	Pedestal
7	104.000.107	1	Flinger	*	132.000.241	1	Adapter, Hyd. Motor
8	106.000.284	1	Drain Plug	18	135.000.187	1	Sleeve
9	110.000.244	1	Retainer, Bearing	19	135.000.188	1	Shaft

* Not shown in exploded view

IMPELLER AND CASE SELECTION CHART

MODEL NO.	SIZE	IMPELLER	CASE
HYD 202	2 × 2 NPT	131.000.470	130.000.168
HYD 252	2½ × 2 NPT	131.000.141	130.000.166
HYD 303	3 × 3 NPT	131.000.286	130.000.224
HYD 303HB	3 × 3 HB	131.000.286	130.000.215
HYD 403HB	4 × 3 HB	131.000.286	130.000.223