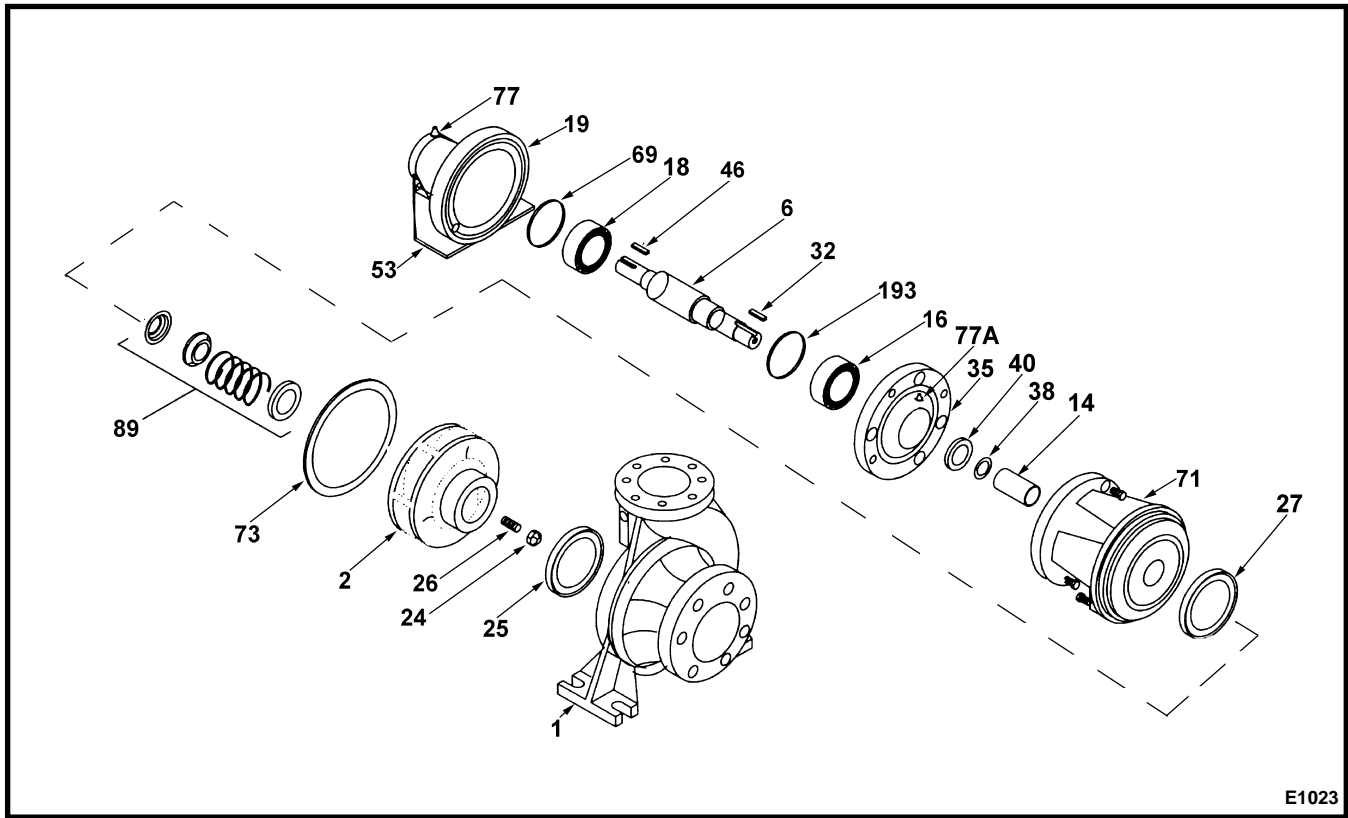


FRAMEPUMP™ - FP 95, 96

1 3/8" STRAIGHT SHAFT



E1023

KEY NO.	PART NAME	PART NO.
1	CASE	See Chart
2	IMPELLER	See Chart
14 ●	SHAFT SLEEVE	110.000.360
24 ●	NUT	110.000.304
25	WEAR RING (CASE)	See Chart
26 ●	STUD	105.000.484
27	WEAR RING (ADAPTER)	See Chart
32 ●	KEY	102.000.284
38 ●	O-RING, SHAFT	116.000.218A
40 ●	FLINGER	104.000.200
71 ♦	ADAPTER	132.000.357
73 ●	GASKET, CASE	116.000.267
89 ●	SEAL VN-CM	101.000.216
	BEARING FRAME ASS'Y CONSISTING OF:	JP211 118.000.417
6 ○	SHAFT, ASS'Y	135.000.264X
16	BEARING	103.000.210
18	BEARING	103.000.167
19	SHELL	137.000.411
35	END BELL	132.000.384
46 ○	KEY	102.000.270E
53	BASE	119.000.476A
69	WAVE SPRING	119.000.458
193	RETAINER	102.000.285
--	REPAIR KIT	118.000.405A

● DENOTES COMPONENTS INCLUDED IN REPAIR KIT
○ DENOTES COMPONENTS INCLUDED WITH SHAFT ASS'Y

♦ CASES

MODEL NO.	SIZE (FLG)		PART NO.
	SUCT	DISCH	
FP 95	6	4	130.000.370X1
FP 96	6	5	130.000.372X1

♦ INCLUDES STEEL WEAR RING

IMPELLERS - SPECIFY DIAMETER

MODEL NO.	1 1/4" KEYED - ENCLOSED
	IRON
FP 95	137.000.142
FP 96	137.000.149

WEAR RINGS

MODEL NO.	KEY NO. 25 (CASE)	KEY NO. 27 (ADAPTER)
FP 95	103.000.186	103.000.194
FP 96	103.000.195	103.000.194