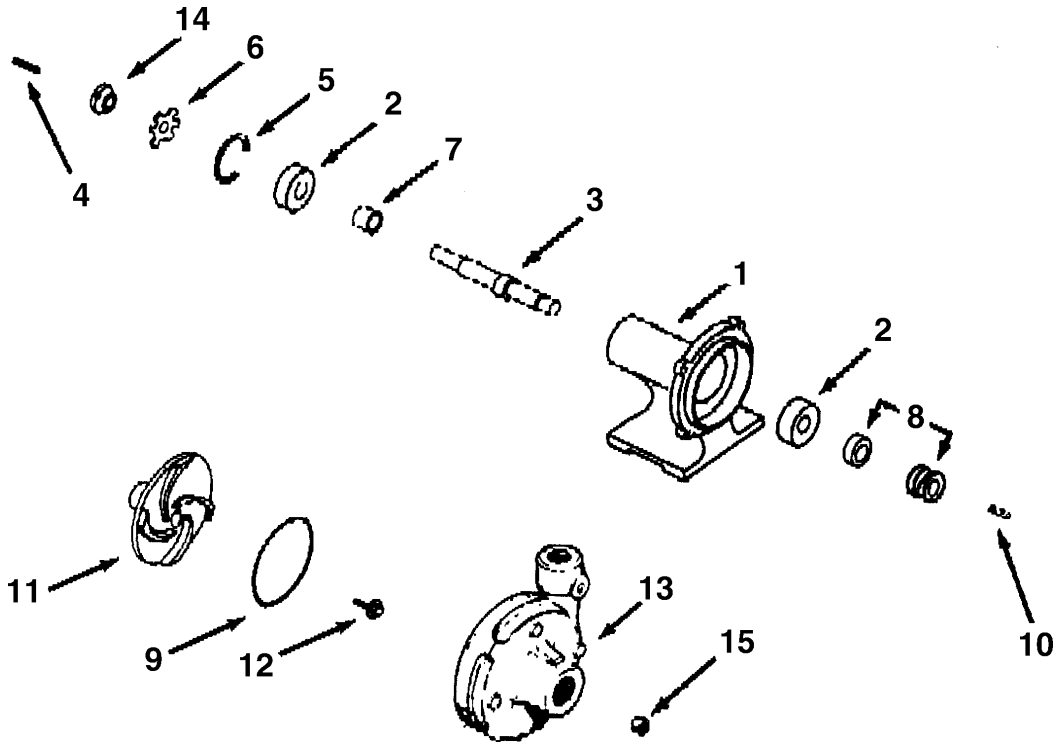


FPH 51, 61, 73SP, 74ASP

SCOT



Key No.	Part No.	Qty.	Description
1	132.000.295	1	Pedestal
2	103.000.158	2	Bearing
3	135.000.231	1	Shaft
4	102.000.256	1	Shaft Key
5	102.000.105	1	Retaining Ring
6	104.000.242	1	Lockwasher Bearing
7	110.000.352	1	Spacer
8	101.000.115	1	Seal: Viton - Ceramic
9	116.000.141	1	O-Ring Case
10	102.000.137	1	Impeller Key
11	131.000.266	1	Impeller
12	118.000.136	1	Impeller Ret. Assy.
13A	130.000.177	1	Case FPH 51
13B	130.000.211	1	Case FPH 61
13C	130.000.239	1	Case FPH 71 ASP
13D	See Chart	1	Case FPH 71 SP
14	105.000.460	1	Locknut
15	106.000.284	1	Drain Plug