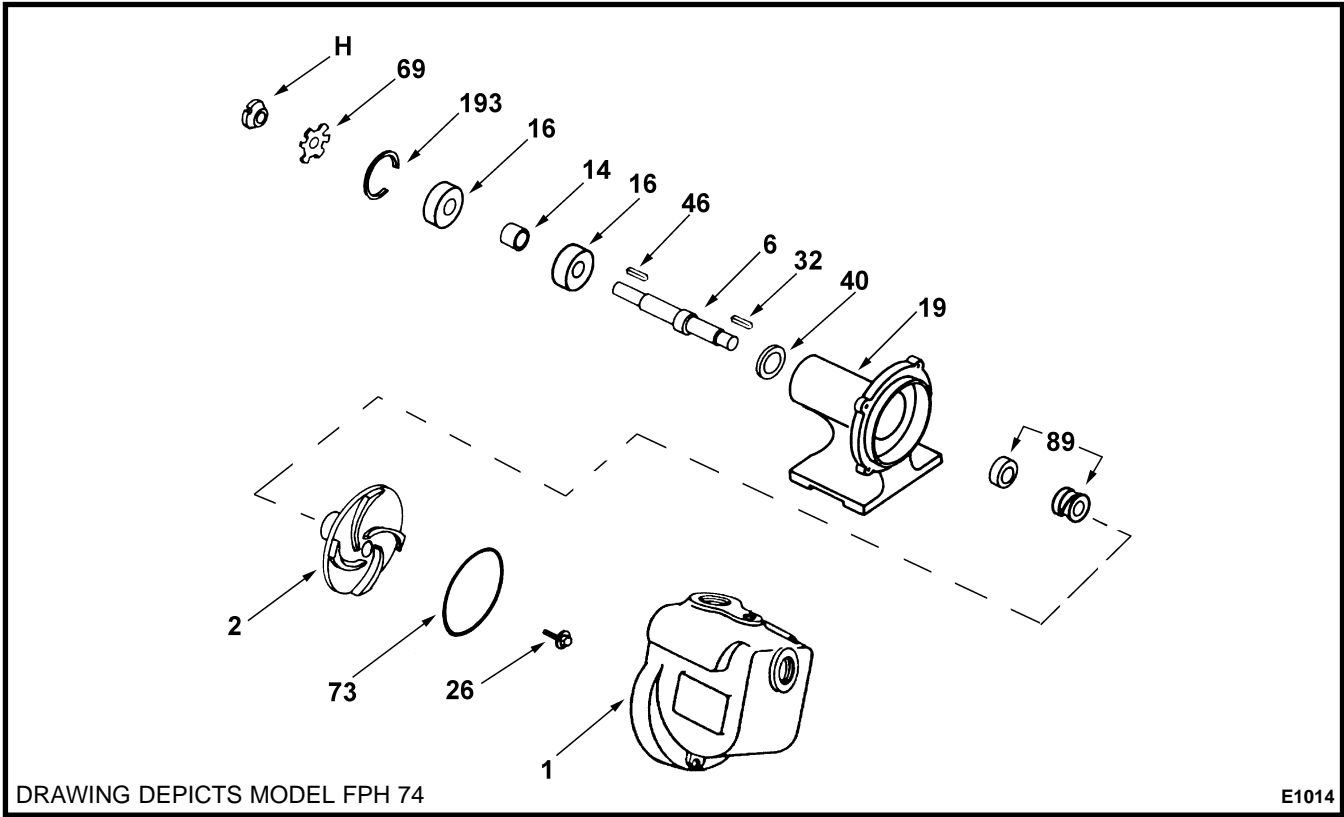


FRAMEPUMP™ - FPH 51, 61, 73, 74

5/8" STRAIGHT SHAFT



DRAWING DEPICTS MODEL FPH 74

E1014

KEY NO.	PART NAME	PART NO.
1	CASE	See Chart
2	IMPELLER, SEMI-OPEN	131.000.266
26 ●	IMPELLER RETAINER	118.000.136
73 ●	GASKET, CASE	116.000.141
89 ●	SEAL VN-CM	101.000.115
	BEARING FRAME ASS'Y CONSISTING OF:	UNIT B 118.000.420
6 ○	SHAFT, ASS'Y	135.000.231X
14 ●	SPACER	110.000.352
16 ●	BEARING (2 REQ'D)	103.000.158
19	FRAME	132.000.295
32 ●○	KEY	102.000.137
46 ○	KEY	102.000.256
69	LOCKWASHER	104.000.242
193	RETAINER	102.000.105
H	LOCKNUT	105.000.460
--	REPAIR KIT	118.000.351
● DENOTES COMPONENTS INCLUDED IN REPAIR KIT		
○ DENOTES COMPONENTS INCLUDED WITH SHAFT ASS'Y		

MODEL NO.	CASES		PART NO.
	SIZE (NPT)		
	SUCT	DISCH	
FPH 51	1.5	1.5	130.000.177X
FPH 61	2	2	130.000.211X
FPH 73	1.5	1.5	*130.000.142X
FPH 74	2	2	130.000.239X
* ALSO REQUIRES (NOT SHOWN):			
136.000.138 FLANGE			
118.000.261 FLAPPER			