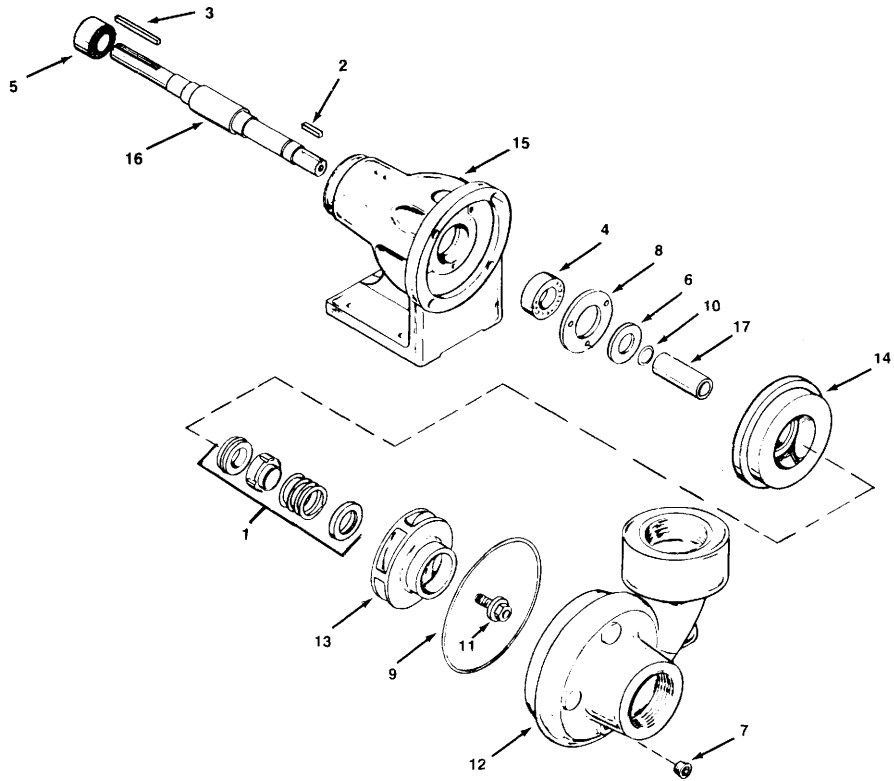


FPD 517, 519, 515, 514, 5144

SCOT



KEY NO.	PART NUMBER	QTY.	PART NAME	KEY NO.	PART NUMBER	QTY.	PART NAME
1A	101.000.194	1	Seal, Viton - Ceramic	9	116.000.146	1	O-Ring, Case
1B	101.000.203	1	Seal, Viton - Lime Duty	10	116.000.193	1	O-Ring, Shaft
2	102.000.102	1	Key, Impeller	11	118.000.111	1	Impeller Ret. Assy.
3	102.000.130	1	Key, Pulley	12	See Chart	1	Case
4	103.000.146	1	Bearing (Pump end)	13	See Chart	1	Impeller
5	103.000.150	1	Bearing (Shaft end)	14	132.000.183	1	Backplate
6	104.000.107	1	Flinger	15	132.000.237	1	Pedestal
7	106.000.284	1	Drain Plug	16	135.000.186	1	Shaft
8	110.000.244	1	Retainer, Bearing	17	135.000.187	1	Sleeve

IMPELLER AND CASE SELECTION CHART

MODEL NO.	SIZE	IMPELLER	CASE
FPD 517	2 × 2 NPT	131.000.470	130.000.168
FPD 519	2½ × 2 NPT	131.000.141	130.000.166
FPD 515	3 × 3 NPT	131.000.286	130.000.224
FPD 514	3 × 3 HB	131.000.286	130.000.215
FPD 5144	4 × 3 HB	131.000.286	130.000.223