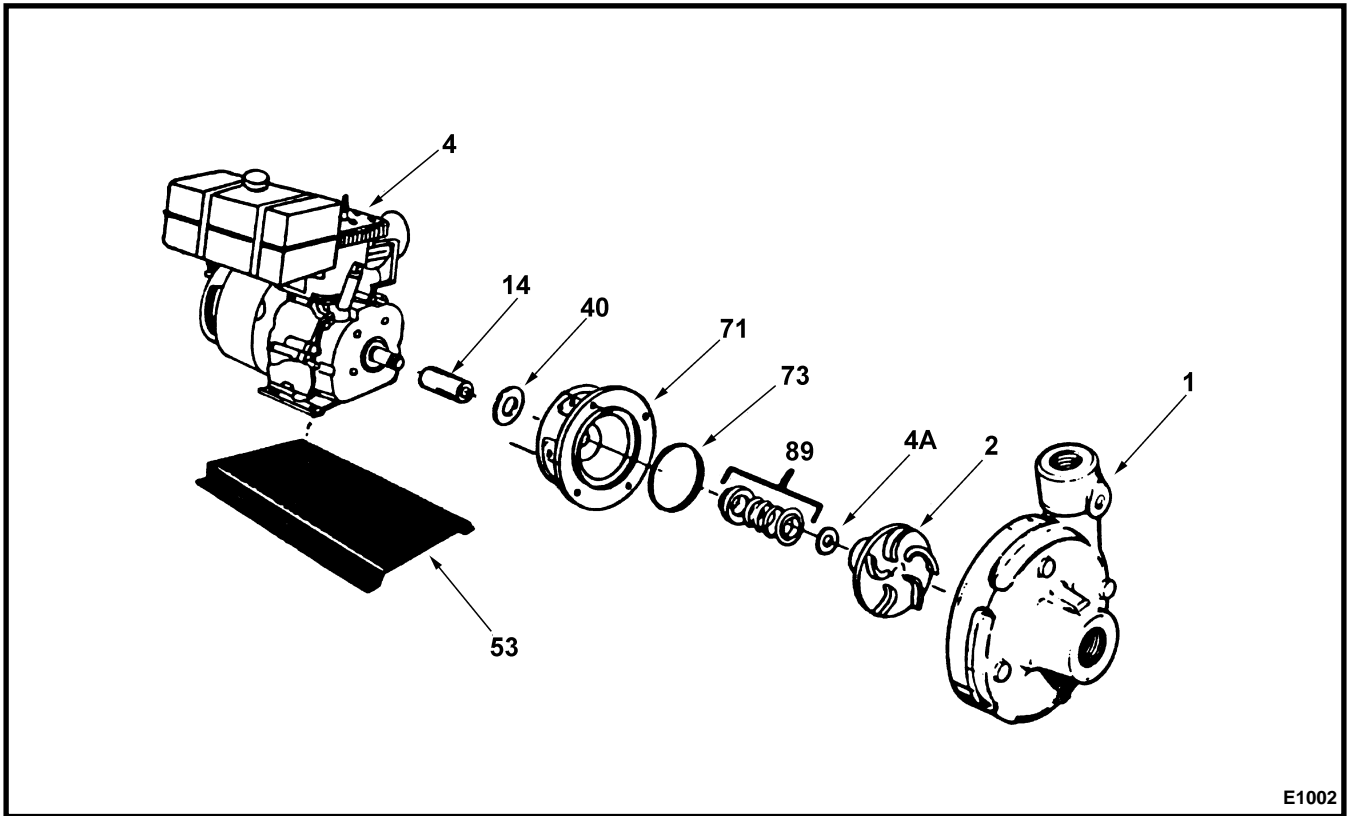


ENGINEPUMP™ - FG 413, 451, 460, 461

STRAIGHT CENTRIFUGAL



E1002

KEY NO.	PART NAME	FG 413 1.25 X 1 NPT 3.5, 5, 5.5 HP	* FG 451 1.5 X 1.5 NPT 3.5, 5, 5.5 HP	* FG 461 2 X 2 NPT 5, 5.5 HP	FG 460 1.5 X 1.25 NPT 5, 5.5 HP
1	CASE	130.000.319X	130.000.177X	130.000.211X	130.000.170X
2	IMPELLER	131.000.111	131.000.238	131.000.238	**131.000.526
4 +	ENGINE	5/8" THRD	5/8" THRD	5/8" THRD	5/8" THRD
4A ●	SHIM	104.000.142	104.000.142	104.000.142	NONE
14 ●	SHAFT SLEEVE	110.000.112	110.000.137	110.000.137	110.000.258
40 ●	FLINGER	104.000.179	104.000.179	104.000.179	104.000.179
53	BASE	119.000.151	119.000.151	119.000.151	119.000.151
71	ADAPTER	132.000.185	132.000.155	132.000.155	132.000.185
73 ●	GASKET, CASE	116.000.146	116.000.141	116.000.141	116.000.146
89 ●	SEAL VN-CM	101.000.115	101.000.115	101.000.115	101.000.115
--	REPAIR KIT	118.000.218	118.000.217	118.000.217	118.000.252

● DENOTES COMPONENTS INCLUDED IN REPAIR KIT

+ SEE CHART FOR REPLACEMENT ENGINES

* GO TO 5.5 HP B&S INTEK AND INTEK PRO

** MODEL NO. FG 460 V5 HAS ENCLOSED IMPELLER