

GENERAL PUMP *A member of the Interpump Group*

YG3000D/YG3000DS

Dump Gun w/40" or 15" Lance

FEATURES

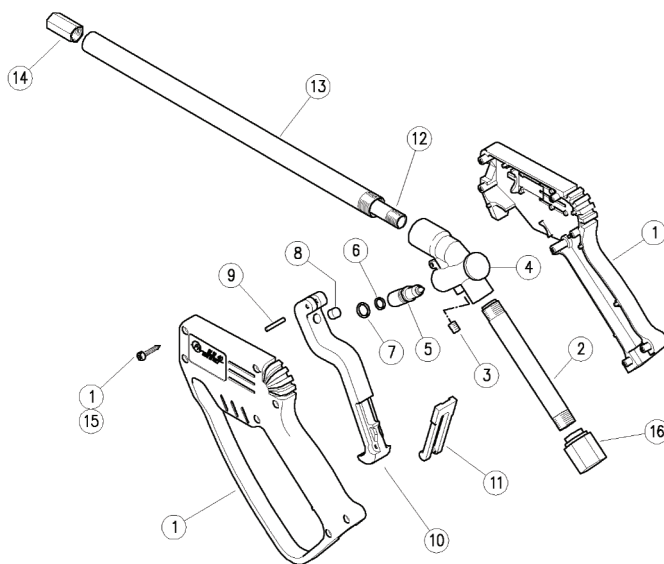
- Comfortable Impact Resistant Housing
- Brass and Stainless Steel Internal Parts
- Ergonomic Design
- Minimum fatigue for operator

SPECIFICATIONS

Part Number	YG3000D/YG3000DS	
Maximum Volume	10.5 GPM	
Maximum Discharge Pressure	3000 PSI	
Maximum Fluid Temperature	140°F	
Inlet Port Thread	3/8" NPT-F	
Discharge Port Thread	1/8" NPT-F	
Weight	3.5 lbs	
Dimensions	YG3000D	48" x 7.5" x 1.5"
	YG3000DS	23" x 7.5" x 1.5"
Materials	Stainless Steel, Plastic, Buna-N, Zinc Plated Steel	



PARTS LIST



Item	Part Number	Description	Qty
KIT	YKITG3000D	Repair Kit, YG3000	1
1	Y30302724	Kit, Gun Housing, YG3000	1
2	Y30303266	1/4" BSP MM 125mm Tube	1
3	Y16220000	M6 mm Plug	1
4	Y30300135	YG3000 Body	1
5	Y30300823	Pin	1
6	Y10305700	O-ring, 1.78 x 9.25 mm	1
7	Y10305500	O-ring, 1.78 x 7.66 mm	1
8	Y30067451	SS 6.2 mm Striker	1
9	Y15103600	Pin, 3 x 20 mm	1

Item	Part Number	Description	Qty
10	Y30321784	Black Trigger	1
11	Y30105484	Black Safety Latch	1
12	Y30300556	M12- 16" Tube (YG3000DS)	1
	Y30301056	M12- 41" Tube (YG3000D)	1
13	Y30300656	M18- 15" Tube (YG3000DS)	1
	Y30301156	M18- 40" Tube (YG3000D)	1
14	Y30300951	1/8 NPT F Sleeve	1
15	Y16307551	3.5 x 18mm Screw	7
16	Y30321261	3/8 NPT F Sleeve	1