

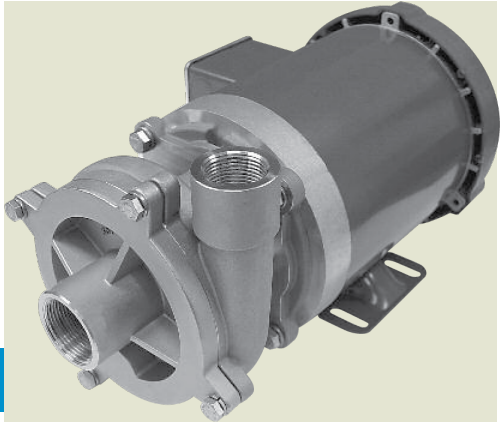


# FRX 125

## 1-1/4" x 1" End Suction Centrifugal Pump

The FRX 125 316 stainless steel centrifugal pump is ideal for hard-to-handle applications in the marine, commercial, and industrial markets.

All wetted components are 316 investment cast stainless steel providing superior corrosion resistance when pumping chemical compounds. A carbon / ceramic / Viton bellows shaft seal is standard with optional seals available on request. The FRX 125 model is available with 1-1/4" x 1" NPT port configurations. Pump rotation in 90° increments.



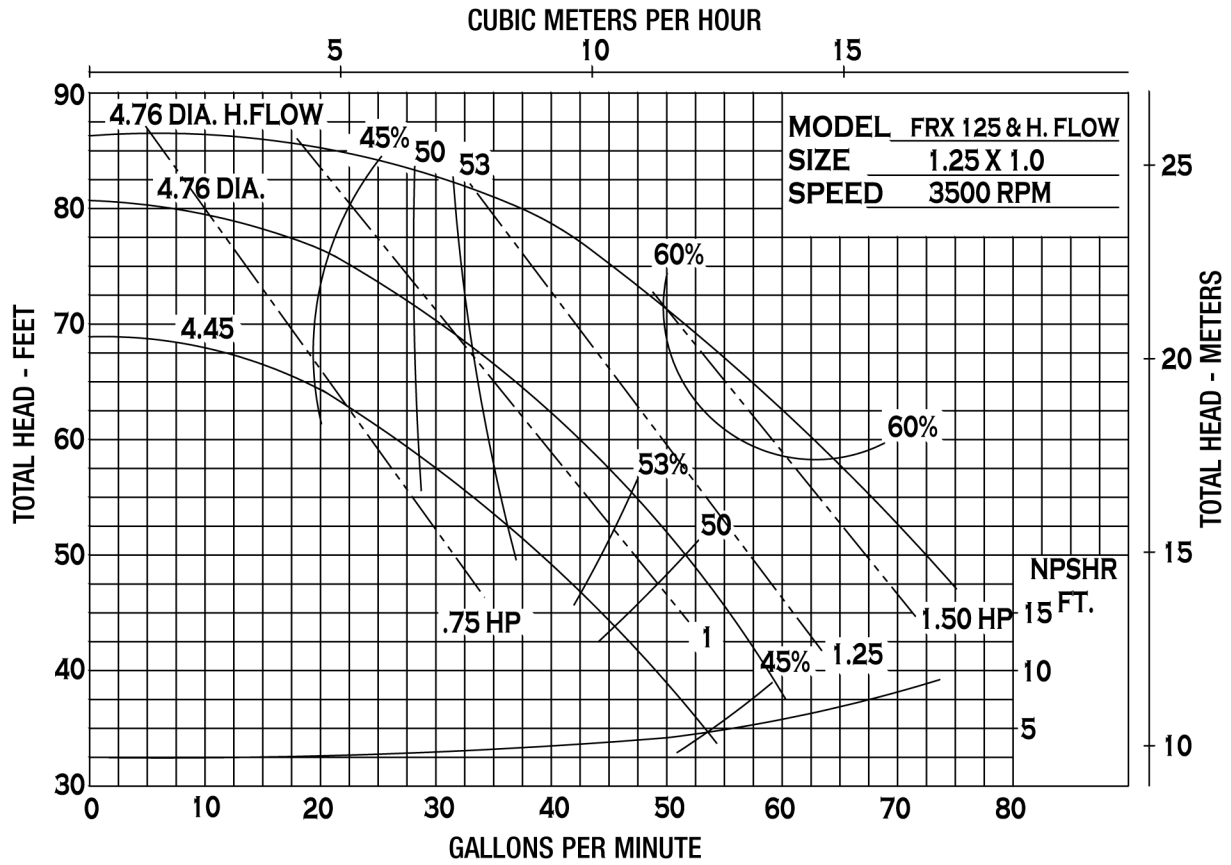
### SPECIFICATIONS:

- Suction and Discharge . . 1-1/4" NPT x 1" NPT
- Materials of Construction 316 stainless steel
- Flow . . . . . Up to 75 GPM
- Head Feet . . . . . Up to 87'
- Impeller . . . . . 4.76" 316 stainless steel enclosed (investment cast)
- Drive Options . . . . . Close coupled 115V AC  
Close coupled 230V AC
- Seal . . . . . Carbon / ceramic / Viton  
Carbon / ceramic / Viton bellows 150 PSI  
Special seals upon request

**Application:**

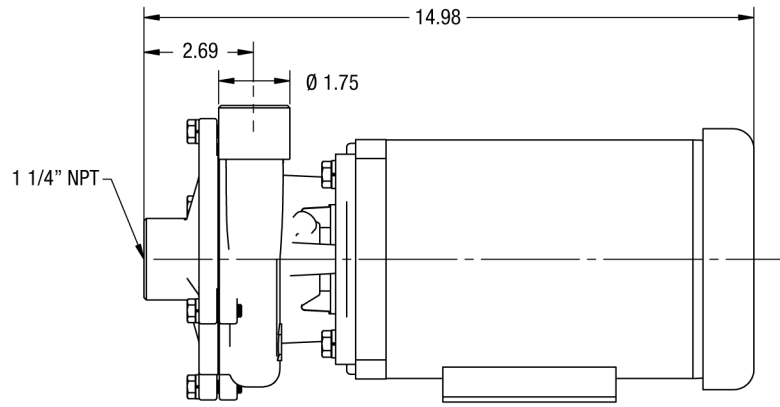
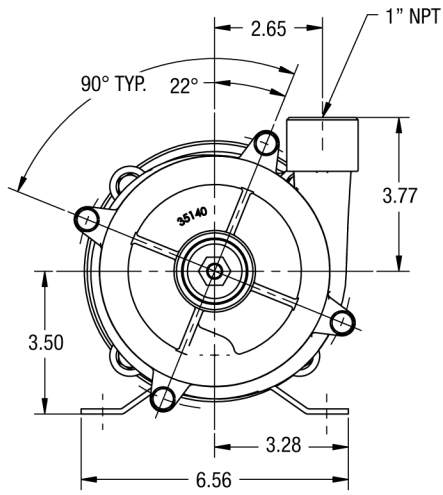
- Agricultural
- Commercial
- Industrial
- Marine

# FRX 125

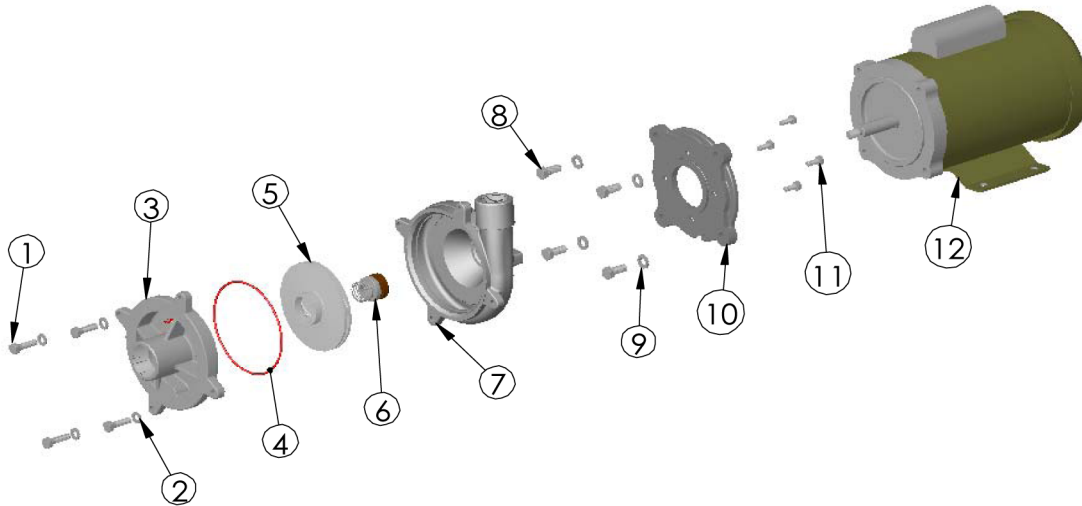


34800 BENNETT • FRASER, MI 48026-1686  
 (586) 293-8240 • FAX (586) 293-8469  
 (800) 563-8006 • www.mppumps.com

# FRX 125



35160



ITEM NO.	PART NO.	DESCRIPTION	QTY.
1	21250	CAPSCREW - S.S. - 5/16-18 X 1.13	4
2	21238	LOCKWASHER - S.S. - 5/16	4
3	35141	COVER - S.S.	1
*	4	O-RING - VITON	1
5	35343	IMPELLER - S.S. - 4.45 DIA.	1
*	6	SEAL - 5/8 T-21	1
7	35139	HOUSING - S.S.	1
8	21251	CAPSCREW - S.S. - 3/8-16 X 7/8	4
9	21266	LOCKWASHER - S.S. - 3/8	4
10	34928	ADAPTOR PLATE -C	1
11	21504	CAPSCREW - Z.P.S. - 1/4-20 X 5/8	4
12	35159	ELEC. MTR. - 3/4 H.P. 1 PH. 56J TEFC	1

\*- RECOMMENDED REPLACEMENT PARTS

