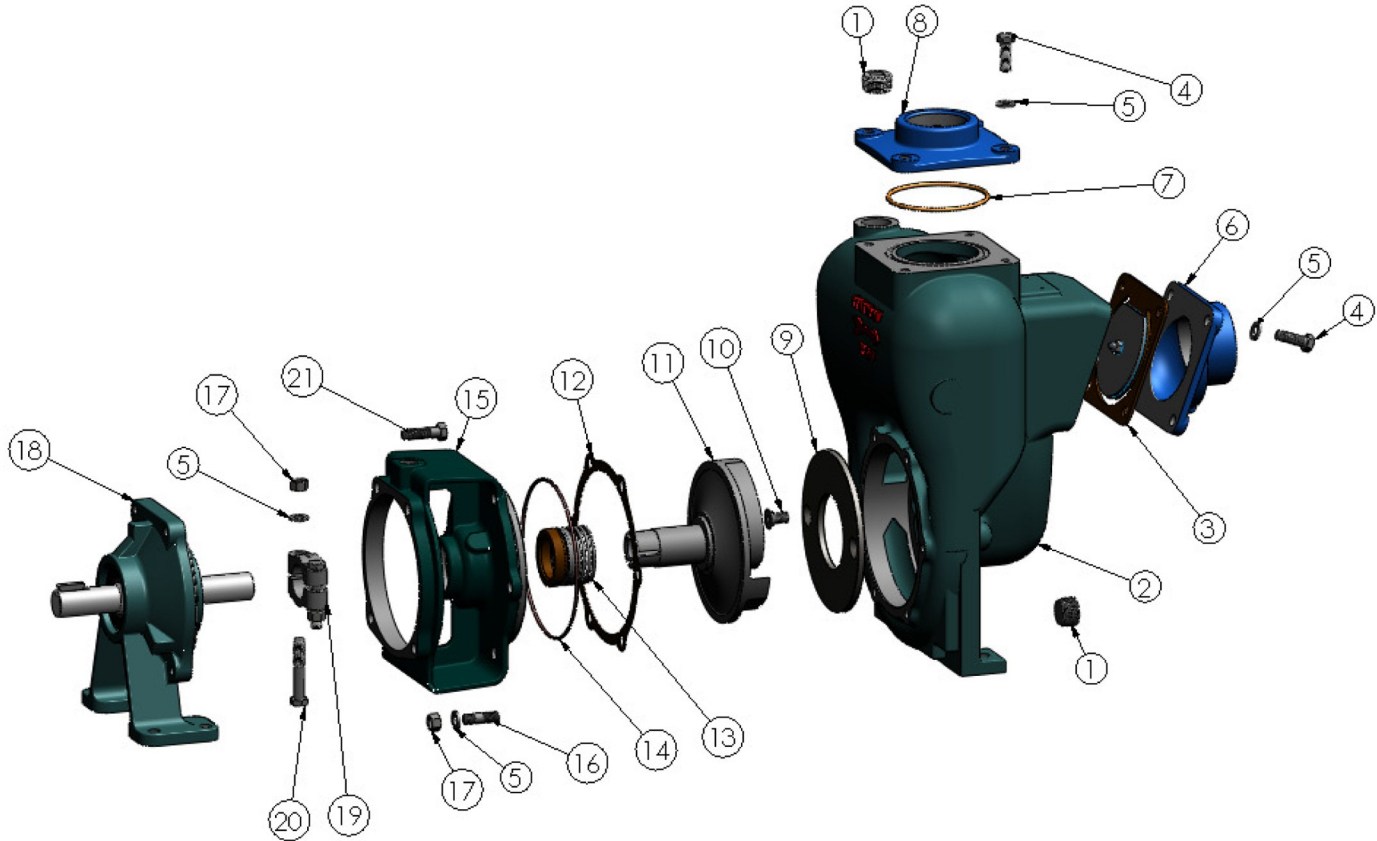


## 21363



ITEM NO.	PART NO.	DESCRIPTION	QTY.		ITEM NO.	PART NO.	DESCRIPTION	QTY.
1	41481	PIPE PLUG C.I. - 3/4" NPT	2	*	12	22240	GASKET .032 - NI-2085	1
2	22351	HOUSING C.I.	1	*	13	22361	SEAL ASSY 1.5 TYPE 21 - VITON	1
3	23040	FLAPPER ASSY. BUNA	1	*	14	29715	O RING - VITON	1
4	21291	CAPSCREW S.S. - 3/8-16 X 1.13	8		15	22348	ADAPTER C.I.	1
5	21266	LOCKWASHER S.S. - 3/8	4		16	21260	STUD 3/8-16 X 1.32 S.S.	6
6	22369	SUCTION FLANGE - C.I.	1		17	21268	HEXNUT S.S. - 3/8-16	8
7	37138	O RING	1		18	26163	PEDESTAL ASSY. C	1
8	22372	DISCHARGE FLANGE - C.I.	1		19	22356	CLAMP S.S. - 1"	2
9	22244	WEAR PLATE STEEL	1		20	21269	CAPSCREW S.S. - 3/8-16 X 2.25	2
10	37115	FLAT HD SCREW S.S. - 3/8-16	2		21	21259	CAPSCREW HEX HEAD S.S. - 3/8-16 X 1.38	4
11	23038	IMPELLER DUCTILE - 6.0 DIA.	1					

\*RECOMMENDED REPLACEMENT PARTS



34800 BENNETT • FRASER, MI 48026-1686  
 (586) 293-8240 • FAX (586) 293-8469  
 (800) 563-8006 • www.mppumps.com