



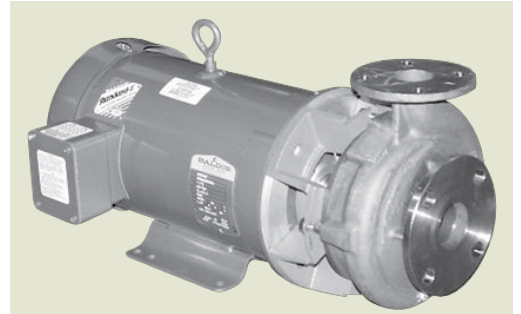
# CHEMFLO 5

## 2" x 1-1/2" End Suction Centrifugal Pump

Made with high quality investment cast 316 stainless steel components, the ChemFlo® series of pumps are designed to be applied in a wide range of pumping applications where stainless steel is required.

The ChemFlo® 5 pumps utilize an enclosed impeller designed for achieving higher heads and efficiencies than a standard semi-open impeller. Multiple impeller trims allow the ChemFlo® 5 to meet most duty points up to 305 GPM and total head up to 157 feet. Several mechanical seal options are available in addition to the standard type 2100 carbon / ceramic / Viton mechanical seal.

ChemFlo® 5 pumps are offered in two configurations, pump (with motor) and PumPAK® (without motor) versions. Electric and hydraulic motors can be close coupled to ChemFlo® 5 pumps or pedestal mounted versions are also available for long coupling.



### Application

- Agricultural
- Commercial
- Industrial
- Marine
- OEM

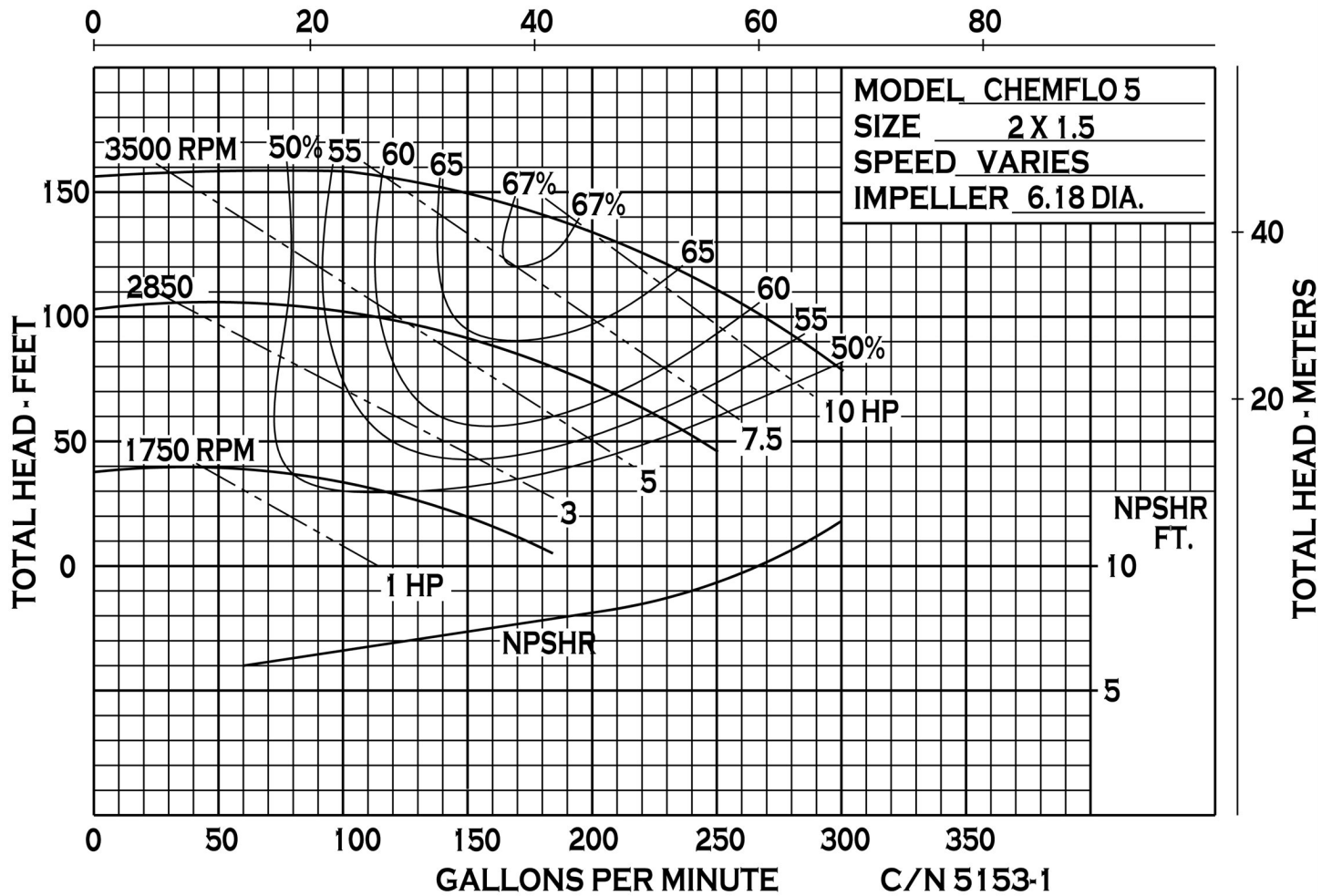
### Drive Sleeve

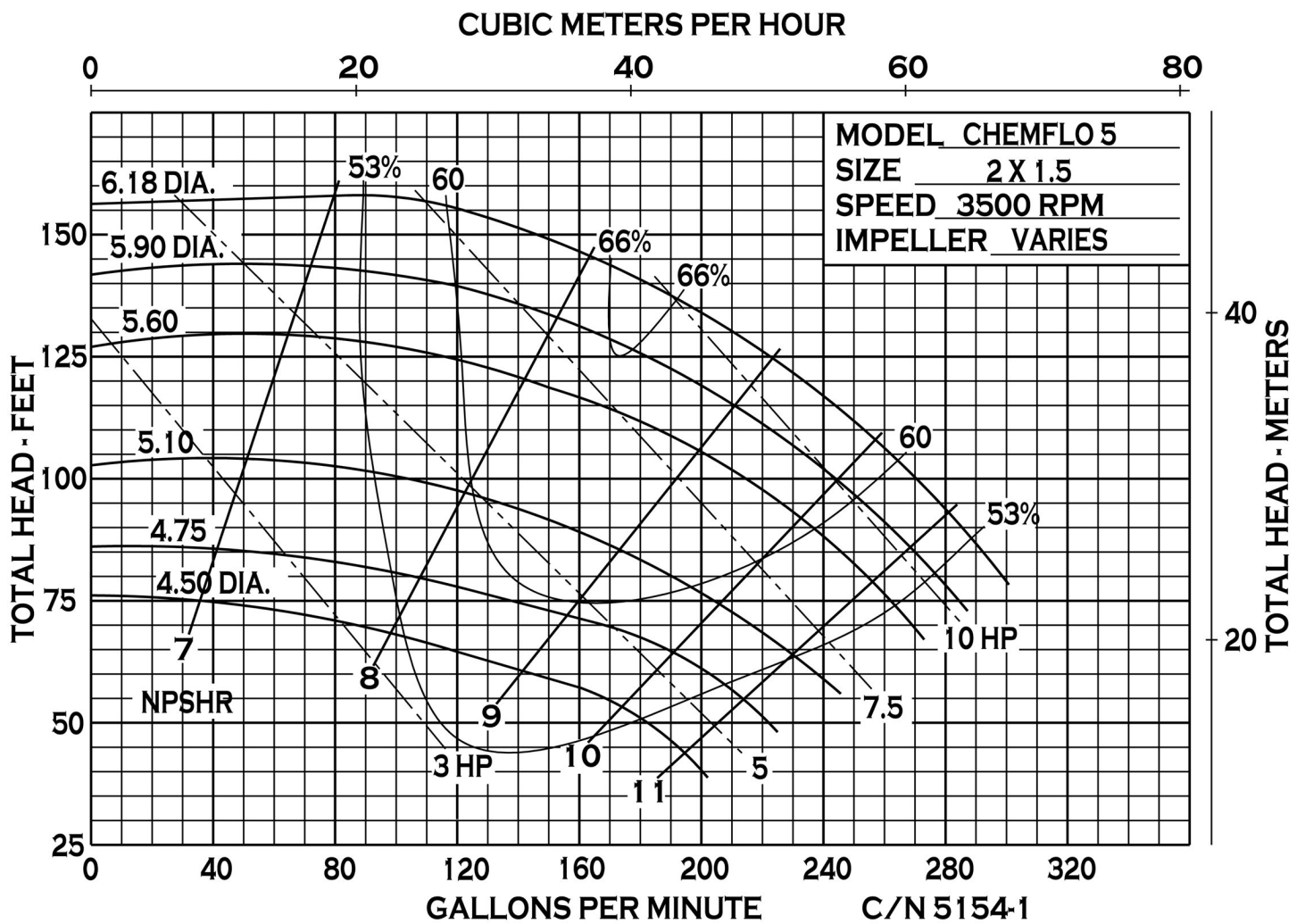
- 316 stainless steel

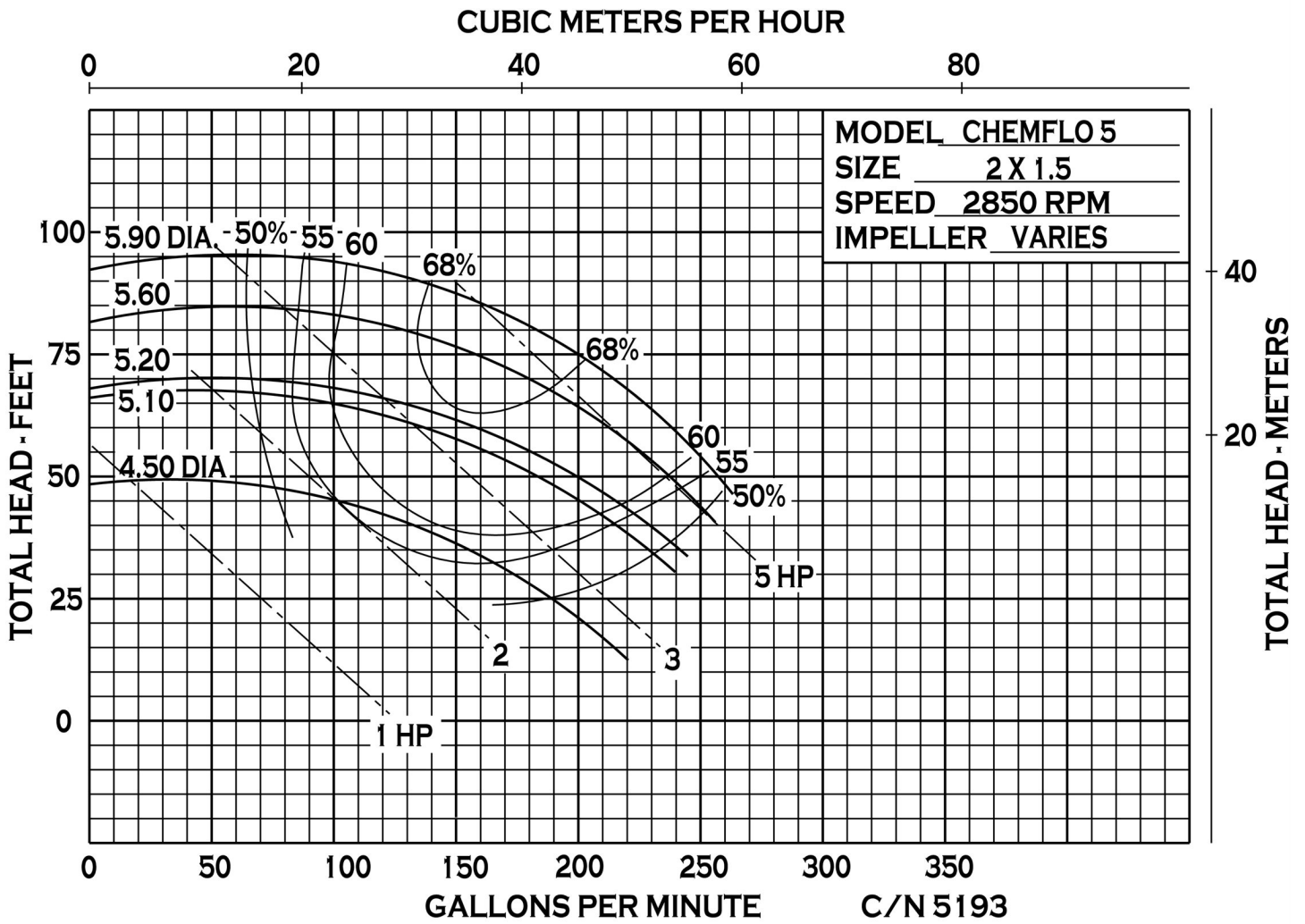
## SPECIFICATIONS:

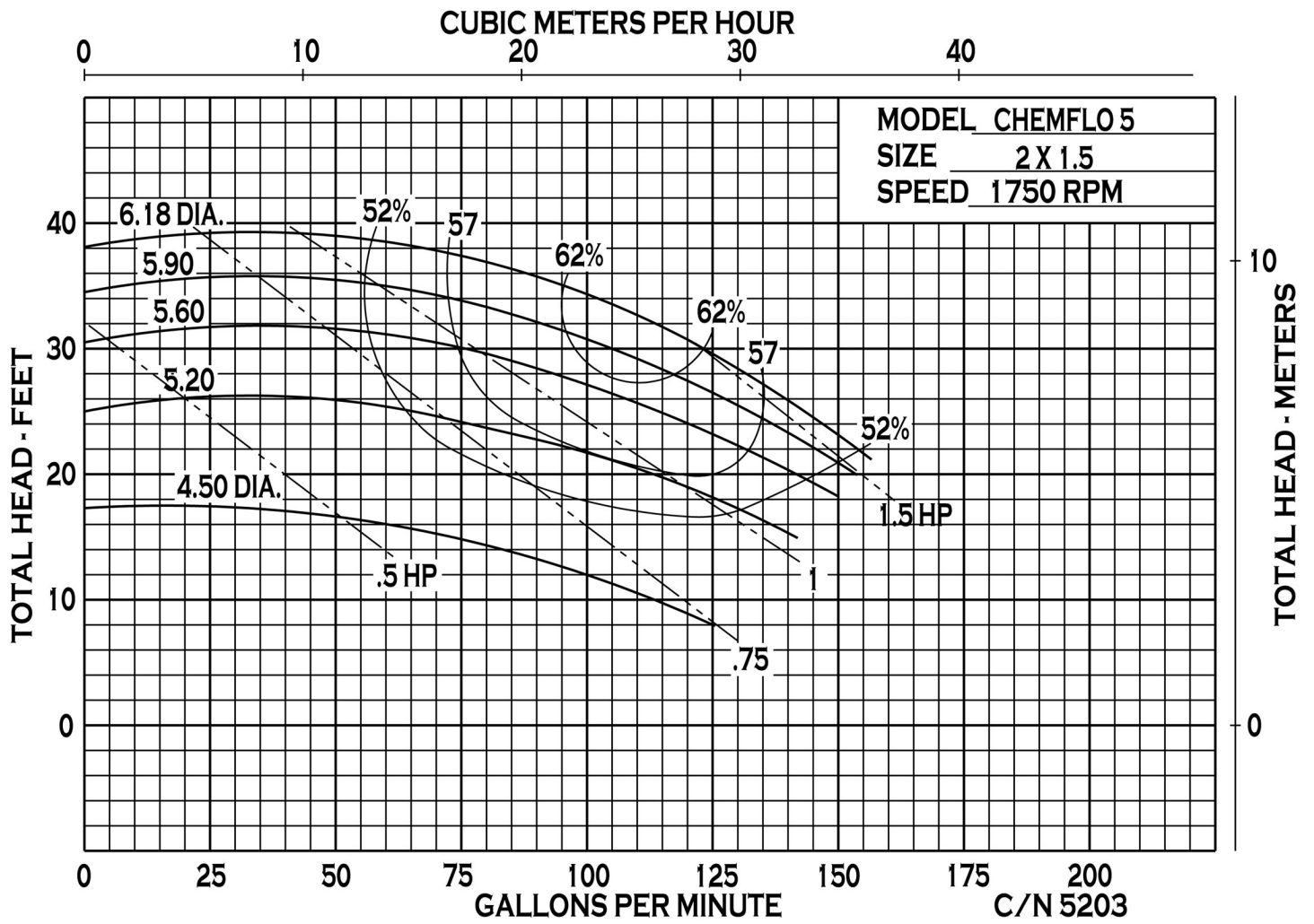
Suction And Discharge	2" x 1-1/2" ANSI 150# flange
Materials Of Construction	316 stainless steel
Flow	Up to 305 GPM
Head Feet	Up to 157'
Impeller	6.18" enclosed, cast 316 SS
Motor	Up to 10 HP
Drive Options	Close coupled 184TC, Close coupled 215TC, Close coupled 145TC, Pedestal, PumPAK® (without motor)
Seal	Special seal material combinations available (consult factory), Standard carbon / ceramic / Viton
Options	Hydraulic motor 1.16 cu. in., Hydraulic motor 1.59 cu. in., Tap for recirculation or seal flush

CUBIC METERS PER HOUR

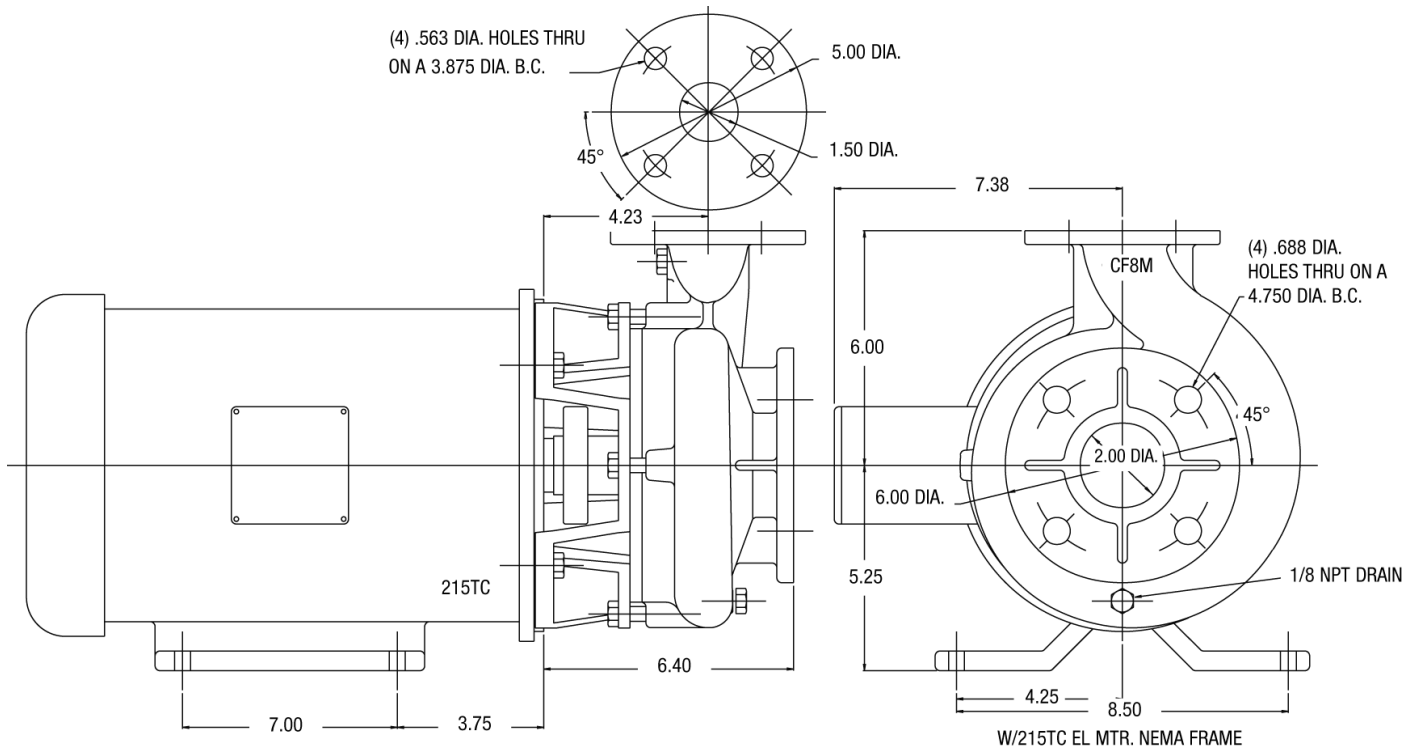




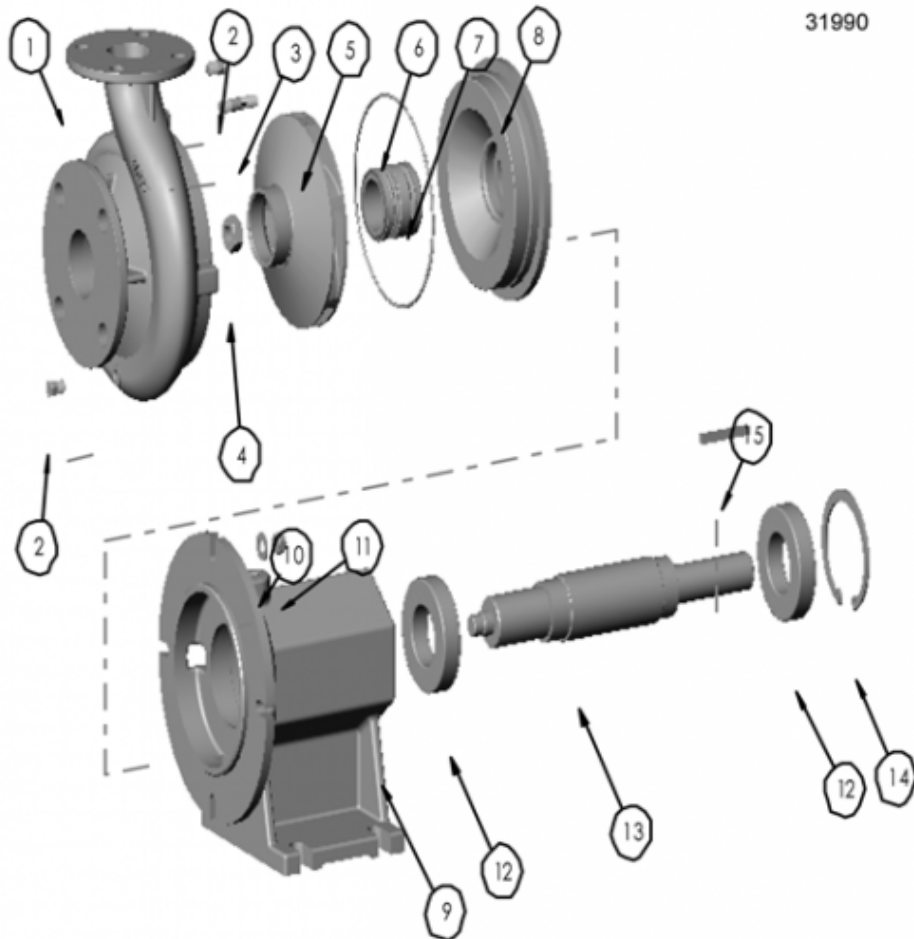




# CHEMFLO 5



31990

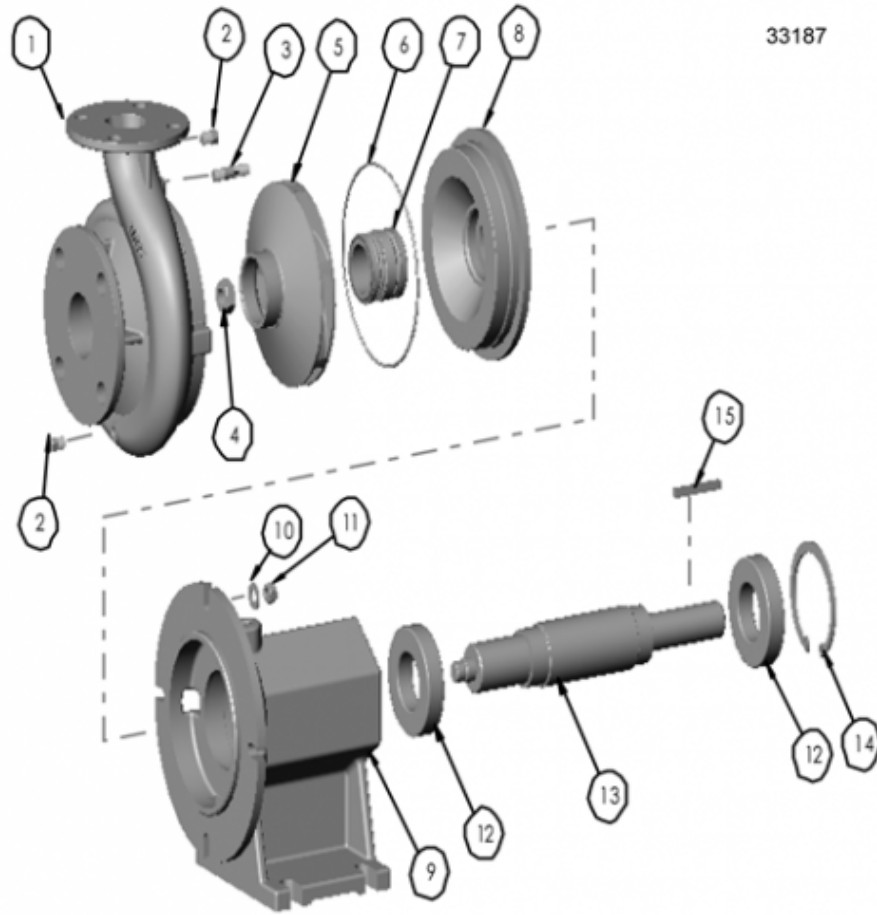


ITEM NO.	PART NO.	DESCRIPTION	QTY.
1	31098	VOLUTE S.S.	1
2	21255	PIPE PLUG S.S.- 1/8" NPT	2
3	21261	STUD S.S.- 3/8-16 X 1 5/8"	4
4	29194	HEX JAM NUT S.S.- 5/8-18	1
5	31096	IMPELLER S.S.- 6.18" DIA.	1
6	31233	O-RING- VITON	1
7	31374	MECH. SEAL- 1.5" T-2100	1
8	31093	SEAL HOUSING S.S.	1
9	31656	BEARING HOUSING	1
10	28053	WASHER S.S.- 3/8	4
11	21268	HEX NUT S.S.- 3/8-16	4
12	31804	BALL BEARING	2
13	31802	DRIVE SHAFT S.S.	1
14	31803	SNAP RING	1
15	26796	SQUARE KEY- .25"	1

\*- RECOMMENDED REPLACEMENT PARTS



33187



ITEM NO.	PART NO.	DESCRIPTION	QTY.
1	31098	VOLUTE S.S.	1
2	21255	PIPE PLUG S.S.- 1/8" NPT	2
3	21261	STUD S.S.- 3/8-16 X 1 5/8"	4
4	29194	HEX JAM NUT S.S.- 5/8-18	1
5	31461	IMPELLER S.S.- 4.50" DIA.	1
6	31233	O-RING- VITON	1
7	31374	MECH. SEAL- 1.5" T-2100	1
8	31093	SEAL HOUSING S.S.	1
9	31656	BEARING HOUSING	1
10	28053	WASHER S.S.- 3/8	4
11	21268	HEX NUT S.S.- 3/8-16	4
12	31804	BALL BEARING	2
13	31802	DRIVE SHAFT S.S.	1
14	31803	SNAP RING	1
15	26796	SQUARE KEY- .25"	1

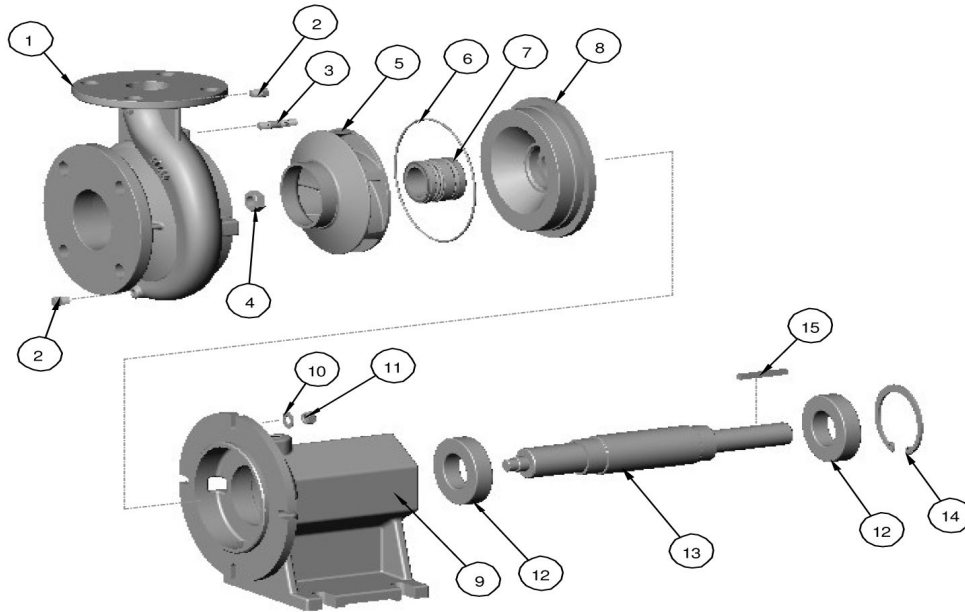
\*- RECOMMENDED REPLACEMENT PARTS





CHEMFLO 5 & 6

Pedestal Pump



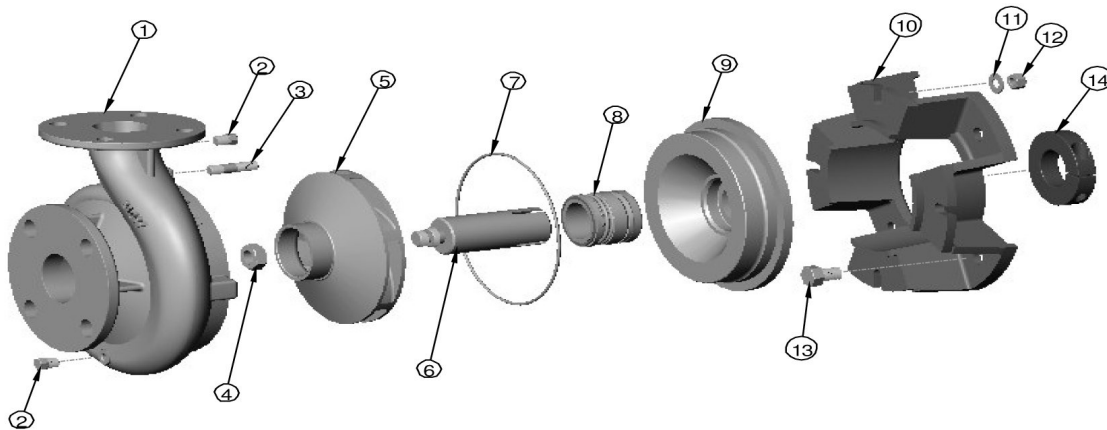
ITEM NO.	PART NO.	DESCRIPTION	QTY.
1	31098	VOLUTE S.S. CHEM 5 2 x 1.5	1
	31469	VOLUTE S.S. CHEM 6 3 x 2	1
2	21255	PIPE PLUG S.S.- 1/8" NPT	2
3	33161	STUD S.S.- 3/8-16 X 2	4
* 4	29194	HEX JAM NUT S.S.- 5/8-18	1
5	31096	IMPELLER S.S.- 6.18" CF5	1
	31467	IMPELLER S.S.- 6.18" CF6	1
* 6	31233	O-RING- VITON	1
* 7	31374	MECH. SEAL- 1.5" T-2100	1
8	31093	SEAL HOUSING S.S.	1
9	31656	BEARING HOUSING	1
10	28053	WASHER S.S.- 3/8	4
11	21268	HEX NUT S.S.- 3/8-16	4
* 12	31804	BALL BEARING	2
13	31802	DRIVE SHAFT S.S.	1
14	31803	SNAP RING	1
15	33232	SQUARE KEY- .25"	1

7089-A



CHEMFLO 5 & 6

Pumpak



ITEM NO.	PART NO.	DESCRIPTION	QTY.
1	31098	VOLUTE S.S. CHEM5 2 x 1.5	1
	31469	VOLUTE S.S. CHEM6 3 x 2	1
2	21255	PIPE PLUG S.S.- 1/8" NPT	2
3	33161	STUD S.S.- 3/8-16 X 2"	4
4	29194	HEX JAM NUT S.S.- 5/8-18	1
5	31096	IMPELLER S.S.- 6.18" CHEM 5	1
	31467	IMPELLER S.S.- 6.18" CHEM 6	1
6	31806	DRIVE SLEEVE S.S. 145TC	1
	31094	DRIVE SLEEVE S.S. 184TC	1
	31311	DRIVE SLEEVE S.S. 215TC	1
7	31233	O-RING- VITON	1
8	31374	MECH. SEAL- 1.5" T-2100	1
9	31093	SEAL HOUSING S.S. CHEM 5 & 6	1
10	31711	MOTOR ADAPTER- 145TC	1
	31091	MOTOR ADAPTER- 184T/215TC	1
11	28053	WASHER S.S.- 3/8"	4
12	21268	HEX NUT S.S.- 3/8-16	4
13	31235	CAP SCREW S.S.- 1/2-13	4
14	23039	CLAMP ASSY 1" 145TC	1
	31099	CLAMP - 1.38" 184TC	1
	31312	CLAMP- 1.5" 215TC	1

7090-A

