



# CHEMFLO 4

## 2" x 1-1/2" End Suction Centrifugal Pump

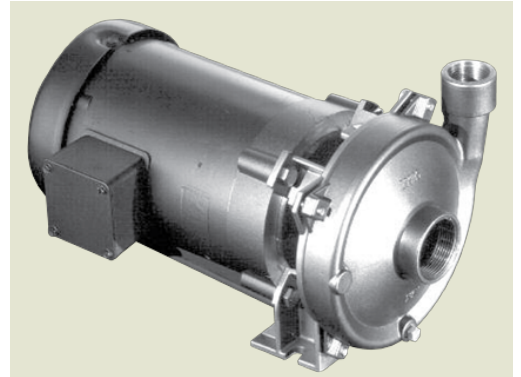
Made with high quality investment cast 316 stainless steel components, the ChemFlo® series of pumps are designed to be applied in a wide range of pumping applications where stainless steel is required.

The ChemFlo® 4 pumps utilize a semi-open impeller design to allow for passage of larger solid sizes than similar sized enclosed impellers. Several seal options are available in addition to the standard type 2100 carbon / ceramic / Viton mechanical seal.

ChemFlo® 4 pumps are offered in two configurations, pump (with motor) and PumPAK® (without motor) versions. Electric and hydraulic motors can be close coupled to ChemFlo® 4 pumps or pedestal mounted versions are also available for long coupling.

Further expanding the versatility of the ChemFlo® series is the CFB 4 pump, a ChemFlo® 4 in NiBrAl material. All wetted parts are produced in CA 958 nickel aluminum bronze including the drive sleeve to maximize corrosion protection in seawater applications.

If ordering a pumpak with a 145TC please note that the electric motor must have a base.



### Application

- Agricultural
- Commercial
- Industrial
- Marine
- OEM

### Drive Sleeve

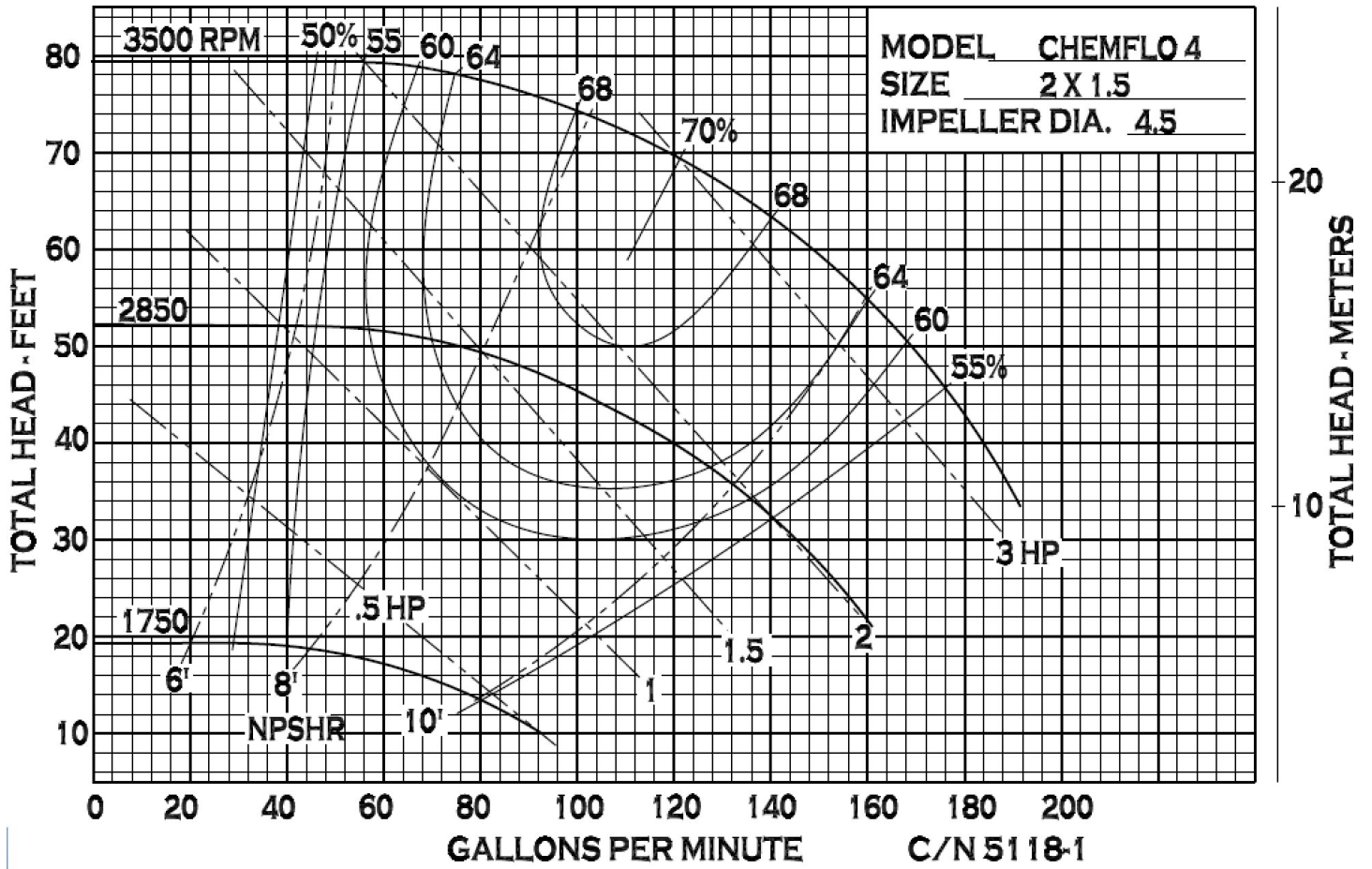
- 316 stainless steel

## SPECIFICATIONS:

|                           |   |
|---------------------------|---|
| Suction And Discharge     | 2" x 1-1/2" NPT   |
| Materials Of Construction | 316 stainless steel, CFB (nickel aluminum bronze)   |
| Flow                      | Up to 180 GPM   |
| Head Feet                 | Up to 75'   |
| Impeller                  | 4.5" semi-open, cast 316 SS   |
| Motor                     | Up to 3 HP  |
| Drive Options             | Close coupled 56C, Close coupled 145TC, Close coupled 184C, Pedestal, PumPAK® (without motor)     |
| Seal                      | Special seal material combinations available (consult factory), Standard carbon / ceramic / Viton |
| Options                   | Hydraulic motor .22 cu. in., Hydraulic motor .37 cu. in., Tap for recirculation or seal flush     |

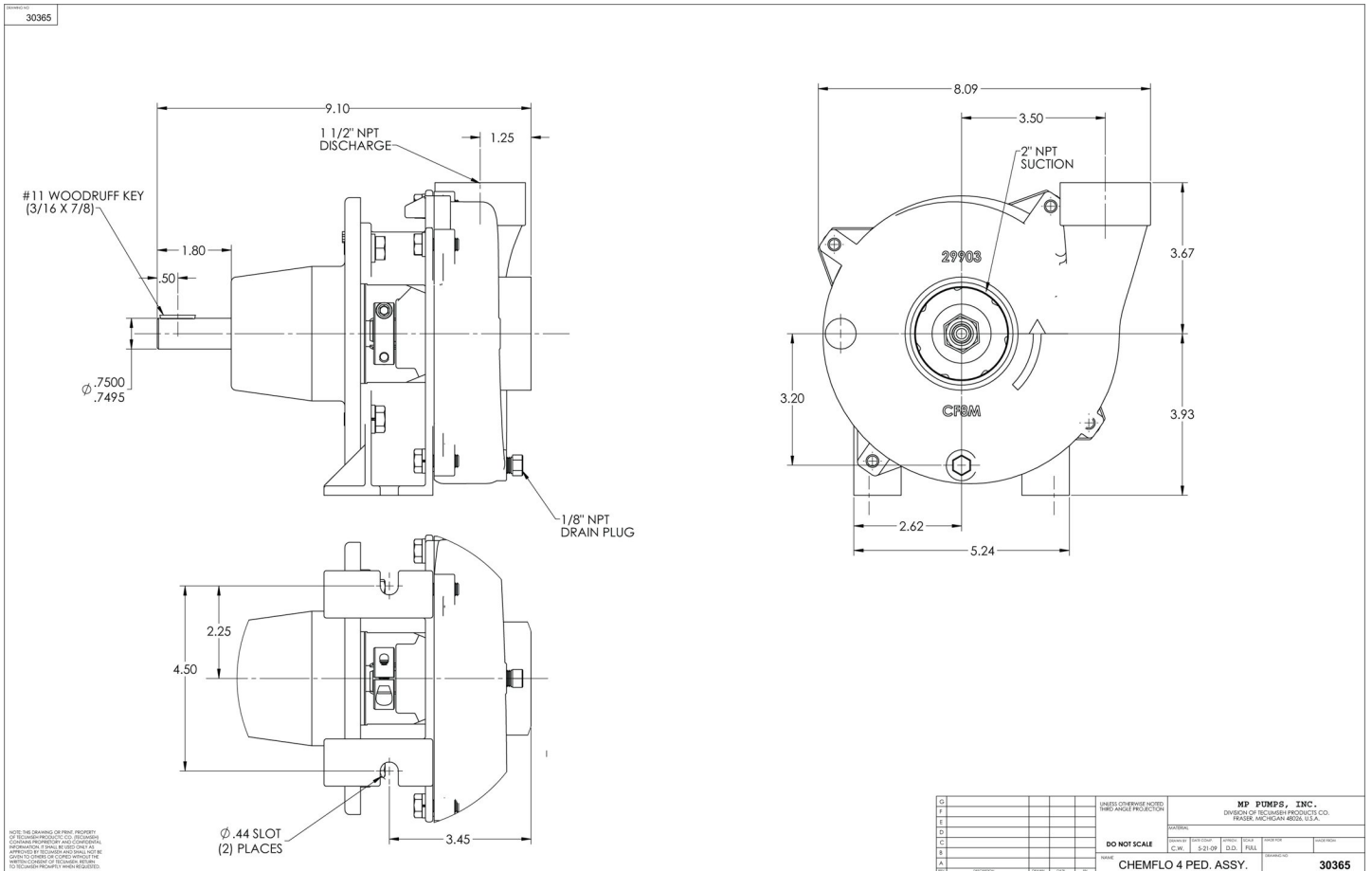
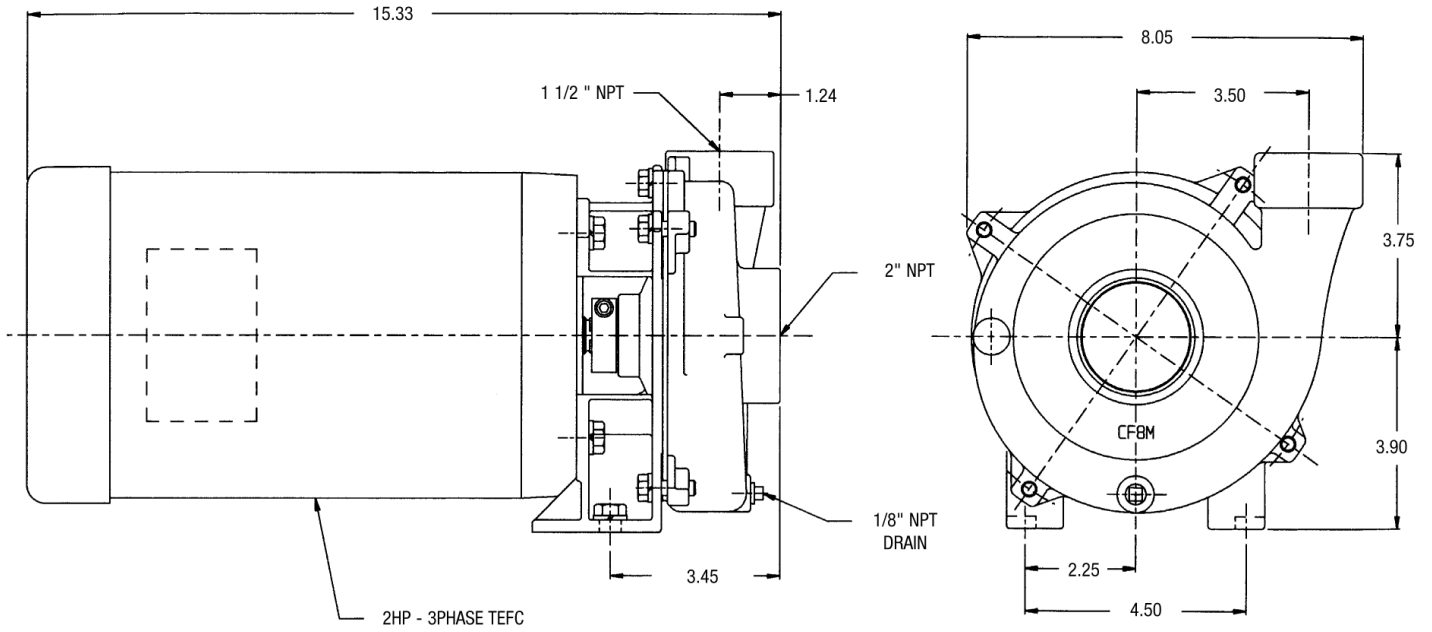
CUBIC METERS PER HOUR

0 10 20 30 40

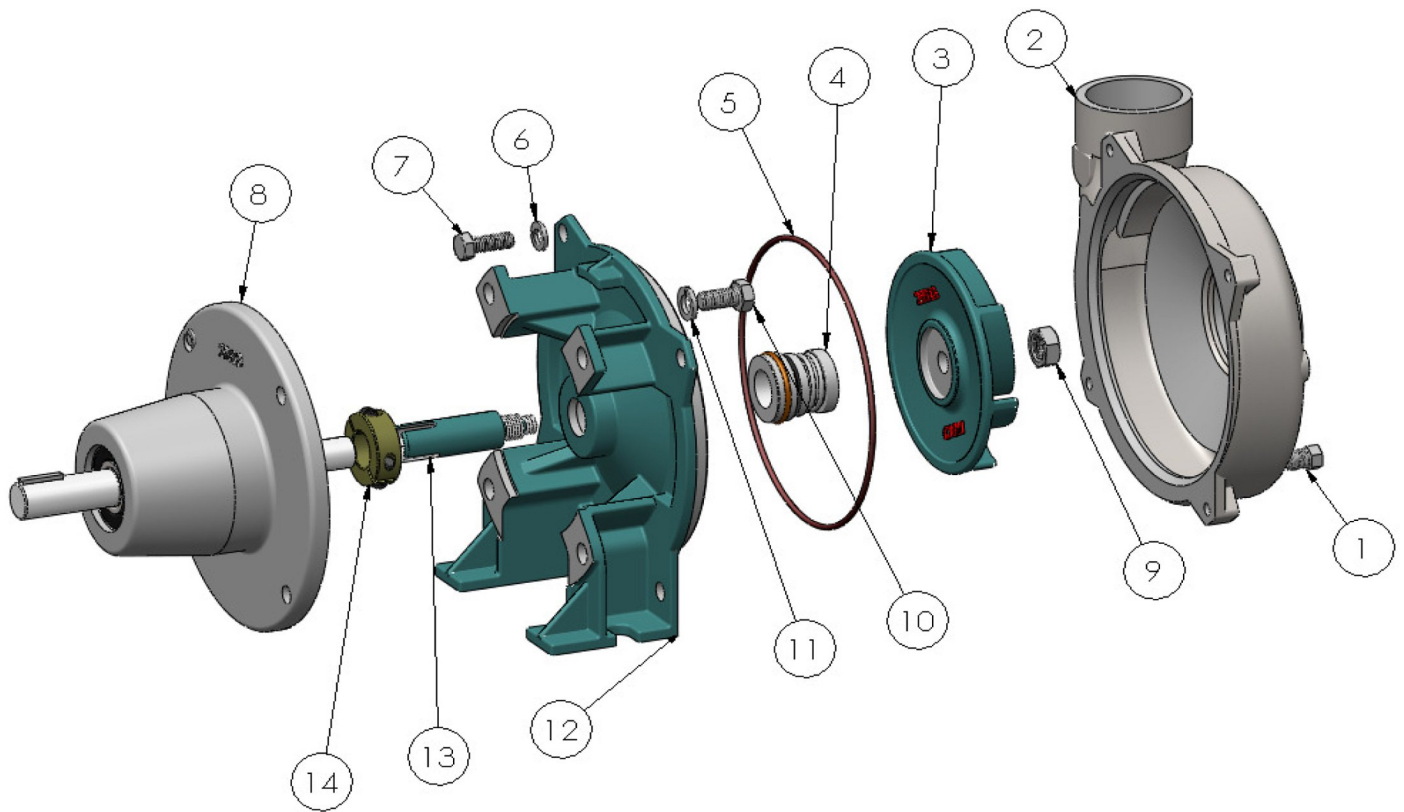


34800 BENNETT - FRASER, MI 48026-1686  
 (586) 293-8240 - FAX (586) 293-8469  
 (800) 563-8006 - www.mppumps.com

# CHEMFLO 4



34800 BENNETT - FRASER, MI 48026-1686  
 (586) 293-8240 - FAX (586) 293-8469  
 (800) 563-8006 - www.mppumps.com

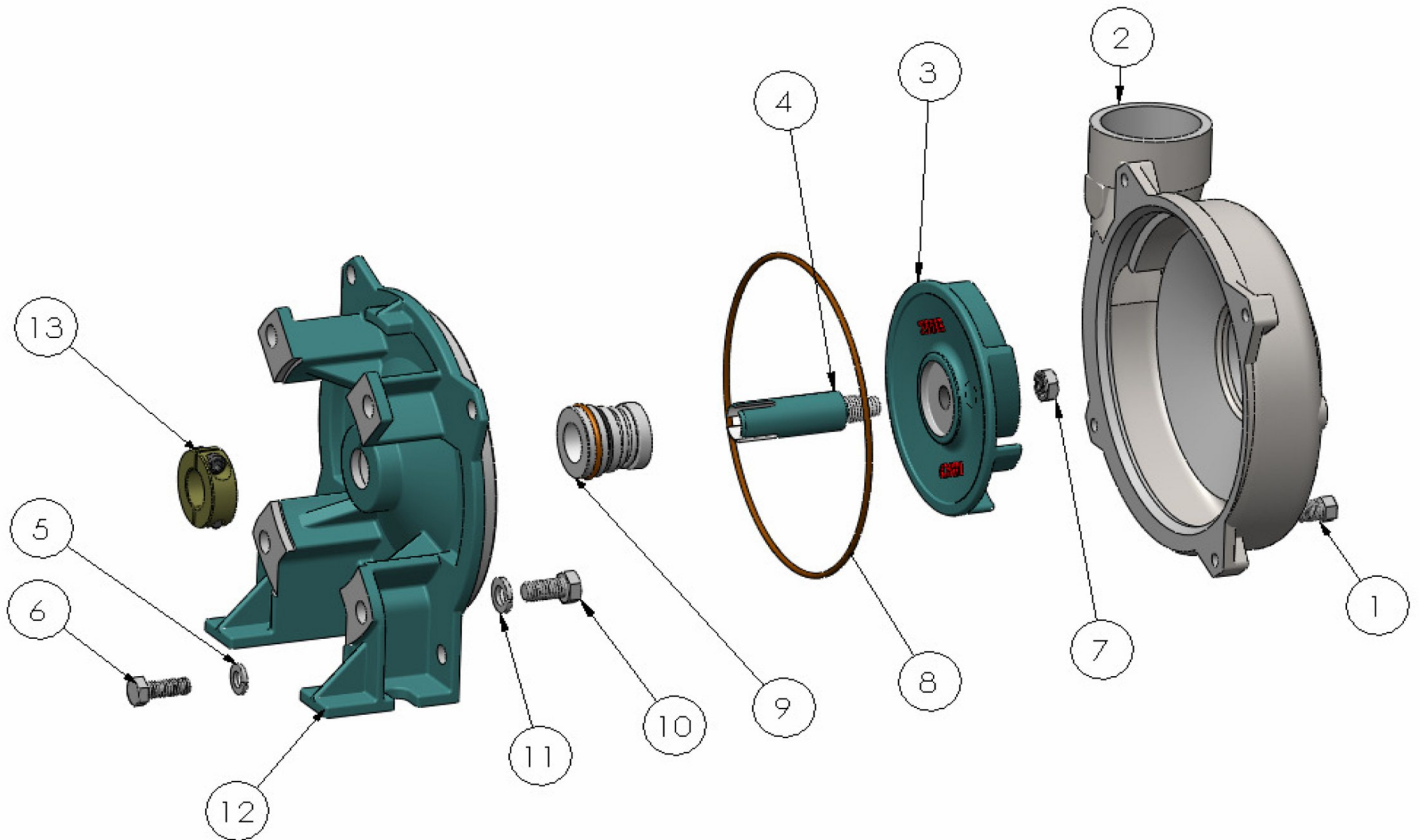


| ITEM NO. | PART NO. | DESCRIPTION                           | QTY. |
|----------|----------|---------------------------------------|------|
| 1        | 21255    | PIPE PLUG S.S. - 1/8 NPT              | 1    |
| 2        | 29904    | HOUSING S.S.                          | 1    |
| 3        | 29914    | IMPELLER S.S. - 4.50 DIA.             | 1    |
| *        | 4        | SEAL ASSY. - 3/4" T-2100 VITON        | 1    |
| *        | 5        | O RING - VITON                        | 1    |
| 6        | 21238    | LOCKWASHER S.S. - 5/16                | 4    |
| 7        | 21242    | HEX HD. CAPSCREW S.S. - 5/16-18 X .88 | 4    |
| 8        | 29670    | PEDESTAL ASSY.                        | 1    |
| 9        | 35598    | HEX JAM NUT S.S.                      | 1    |
| 10       | 25663    | HEX. HD. CAPSCREW S.S. - 3/8-16 X 3.4 | 4    |
| 11       | 21266    | LOCKWASHER S.S. - 3/8                 | 4    |
| 12       | 29908    | ADAPTER                               | 1    |
| 13       | 29785    | DRIVE SLEEVE S.S.                     | 1    |
| 14       | 28049    | CLAMP                                 | 1    |

\*- RECOMMENDED REPLACEMENT PARTS



29918

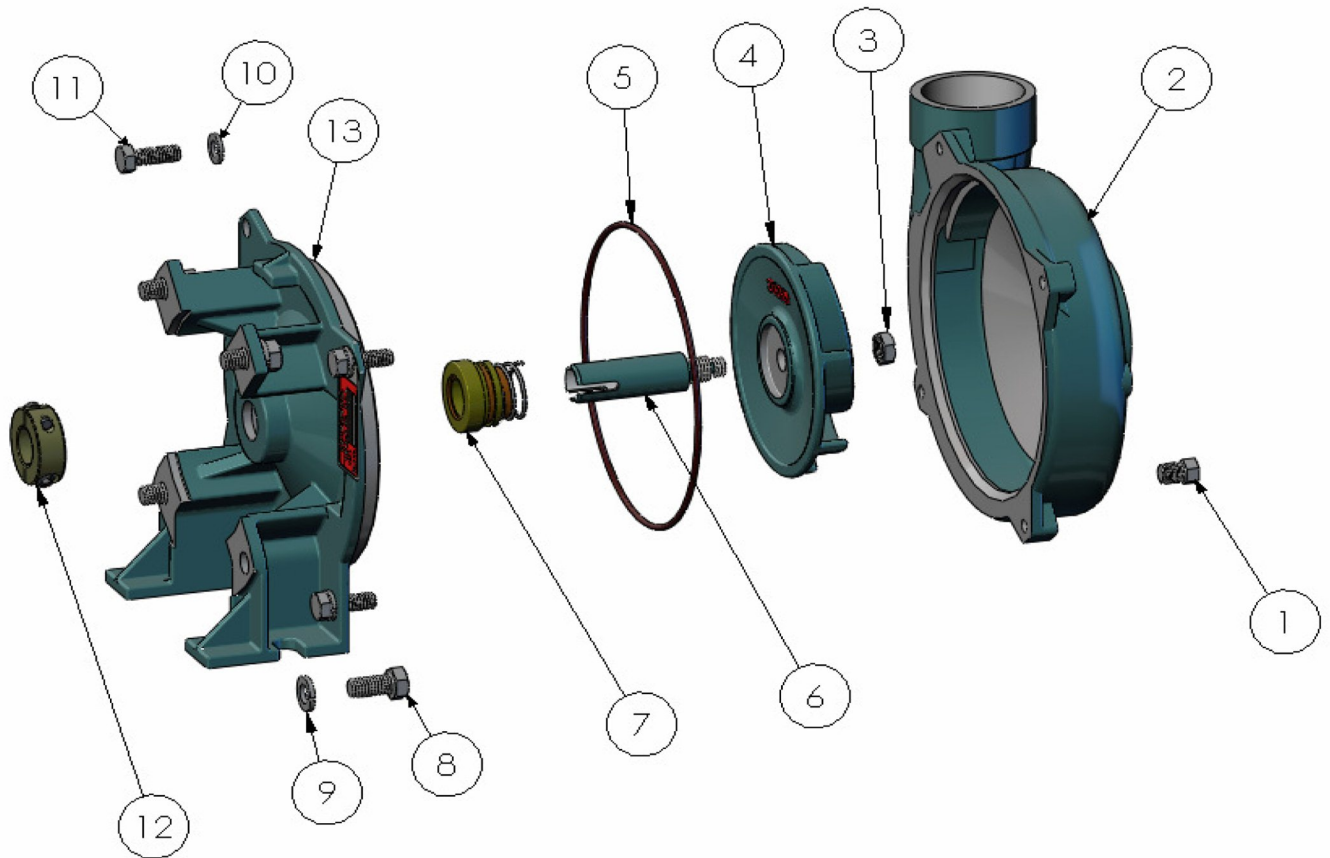


| ITEM NO. | PART NO. | DESCRIPTION                           | QTY. |
|----------|----------|---------------------------------------|------|
| 1        | 21255    | PIPE PLUG S.S. - 1/8 NPT              | 1    |
| 2        | 29904    | HOUSING S.S.                          | 1    |
| 3        | 29914    | IMPELLER S.S. - 4.50 DIA.             | 1    |
| 4        | 29785    | DRIVE SLEEVE S.S.                     | 1    |
| 5        | 21238    | LOCKWASHER S.S. - 5/16                | 4    |
| 6        | 21242    | HEX HD. CAPSCREW S.S. - 5/16-18 X .88 | 4    |
| 7        | 35598    | HEX JAM NUT S.S.                      | 1    |
| * 8      | 29715    | O RING - VITON                        | 1    |
| * 9      | 30061    | SEAL ASSY. - 3/4" T-2100 VITON        | 1    |
| 10       | 25663    | HEX. HD. CAPSCREW S.S. - 3/8-16 X 3.4 | 4    |
| 11       | 21266    | LOCKWASHER S.S. - 3/8                 | 4    |
| 12       | 29908    | ADAPTER S.S.                          | 1    |
| 13       | 28049    | CLAMP STL. - 3/4"                     | 1    |

\*- RECOMMENDED REPLACEMENT PARTS



34800 BENNETT - FRASER, MI 48026-1686  
 (586) 293-8240 - FAX (586) 293-8469  
 (800) 563-8006 - www.mppumps.com



| ITEM NO. | PART NO. | DESCRIPTION                           | QTY. |
|----------|----------|---------------------------------------|------|
| 1        | 36355    | PIPE PLUG BRONZE - 1/8 NPT            | 1    |
| 2        | 36343    | HOUSING BRONZE                        | 1    |
| 3        | 36354    | HEX JAM NUT BRONZE - 3/8-24           | 1    |
| 4        | 36351    | IMPELLER BRONZE - 4.50 DIA.           | 1    |
| *        | 5        | 29715 O RING - VITON                  | 1    |
| 6        | 36353    | DRIVE SLEEVE BRONZE                   | 1    |
| *        | 7        | 30061 SEAL ASSY. - 3/4" T-2100        | 1    |
| 8        | 25663    | HEX HD. CAPSCREW S.S. - 3/8-16 X .75  | 4    |
| 9        | 21266    | LOCKWASHER S.S. - 3/8                 | 4    |
| 10       | 21238    | LOCKWASHER S.S. - 5/16                | 4    |
| 11       | 21242    | HEX HD. CAPSCREW S.S. - 5/16-18 X .88 | 4    |
| 12       | 36384    | CLAMP S.S. - 3/4" SL.                 | 1    |
| 13       | 36345    | ADAPTER BRONZE - 56C                  | 1    |

\*- RECOMMENDED REPLACEMENT PARTS

