



# CHEMFLO 3

## 2" x 1-1/2" End Suction Centrifugal Pump

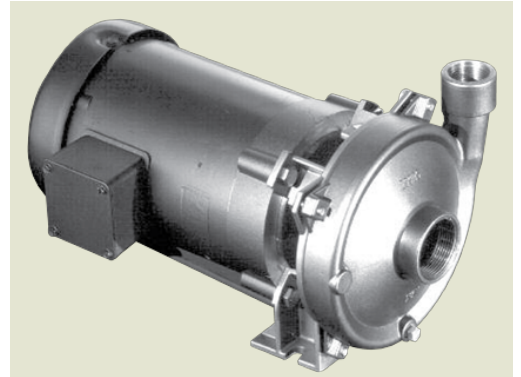
Made with high quality investment cast 316 stainless steel components, the ChemFlo® series of pumps are designed to be applied in a wide range of pumping applications where stainless steel is required.

The ChemFlo® 3 pumps utilize a semi-open impeller design to allow for passage of larger solid sizes than similar sized enclosed impellers. Several seal options are available in addition to the standard type 2100 carbon / ceramic / Viton mechanical seal.

ChemFlo® 3 pumps are offered in two configurations, pump (with motor) and PumPAK® (without motor) versions. Electric and hydraulic motors can be close coupled to ChemFlo® 3 pumps or pedestal mounted versions are also available for long coupling.

Further expanding the versatility of the ChemFlo® series is the CFB 3 pump, a ChemFlo® 3 in NiBrAl material. All wetted parts are produced in CA 958 nickel aluminum bronze including the drive sleeve to maximize corrosion protection in seawater applications.

If ordering a pumpak with a 145TC please note that the electric motor must have a base.



### Application

- Agricultural
- Commercial
- Industrial
- Marine
- OEM

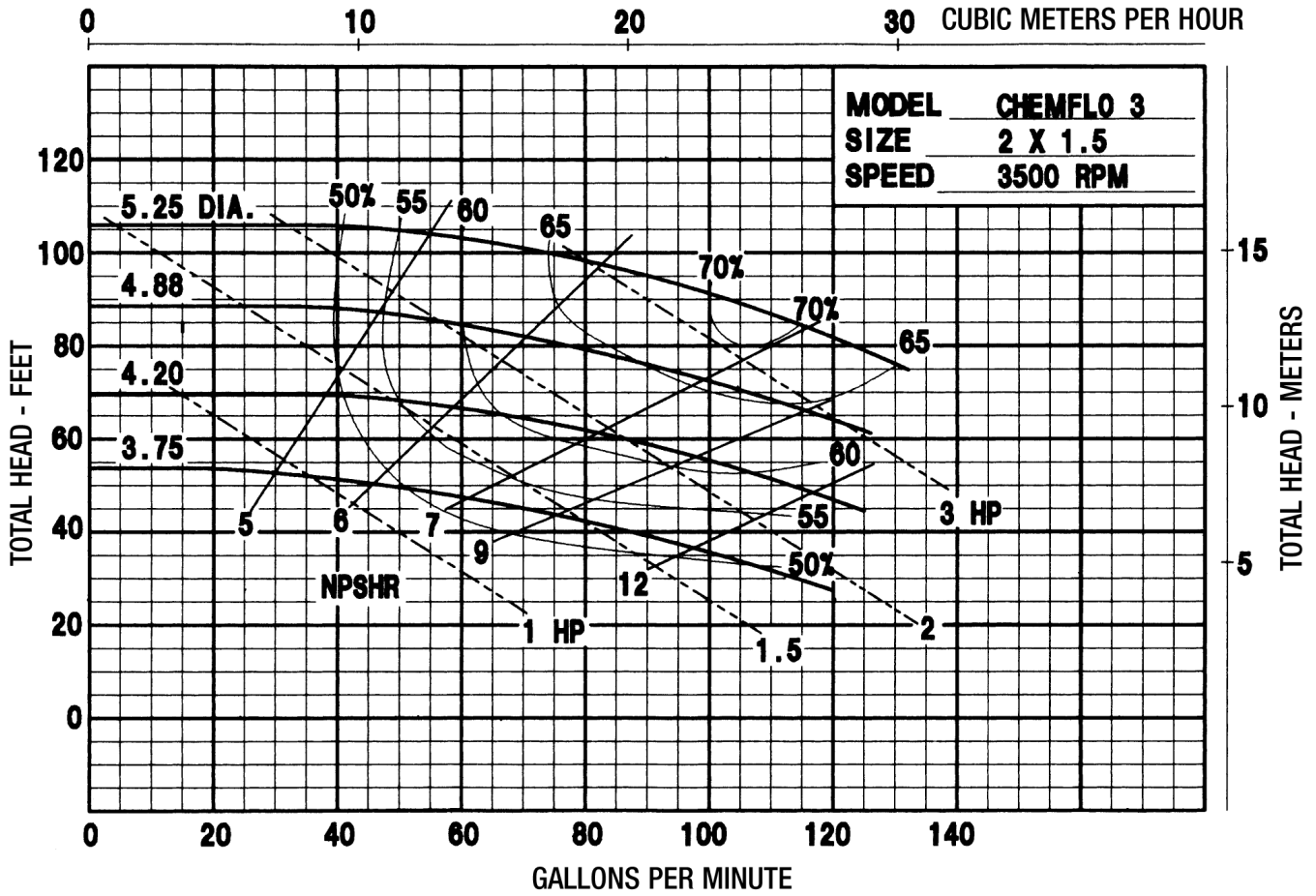
### Drive Sleeve

- 316 SS

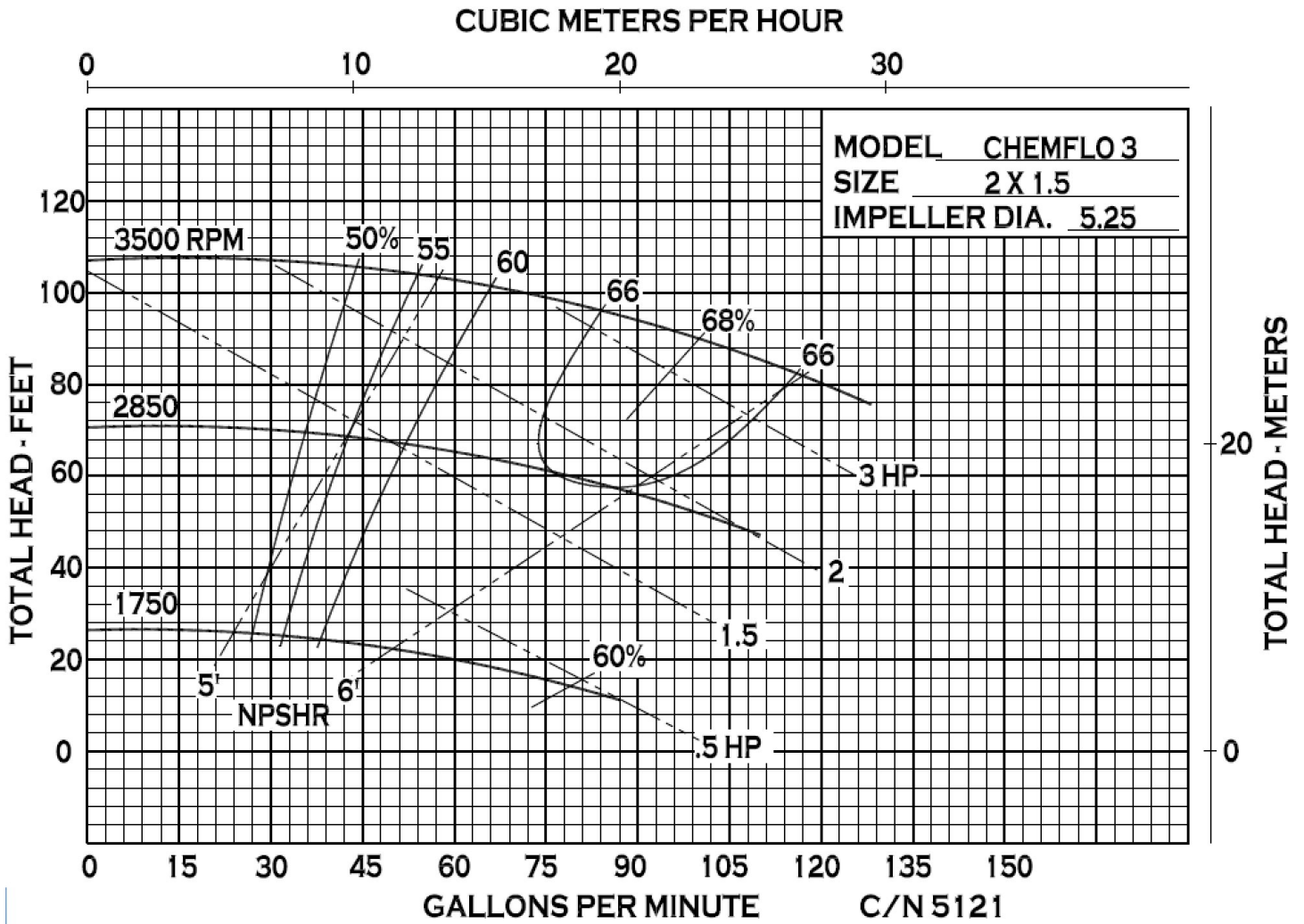
## SPECIFICATIONS:

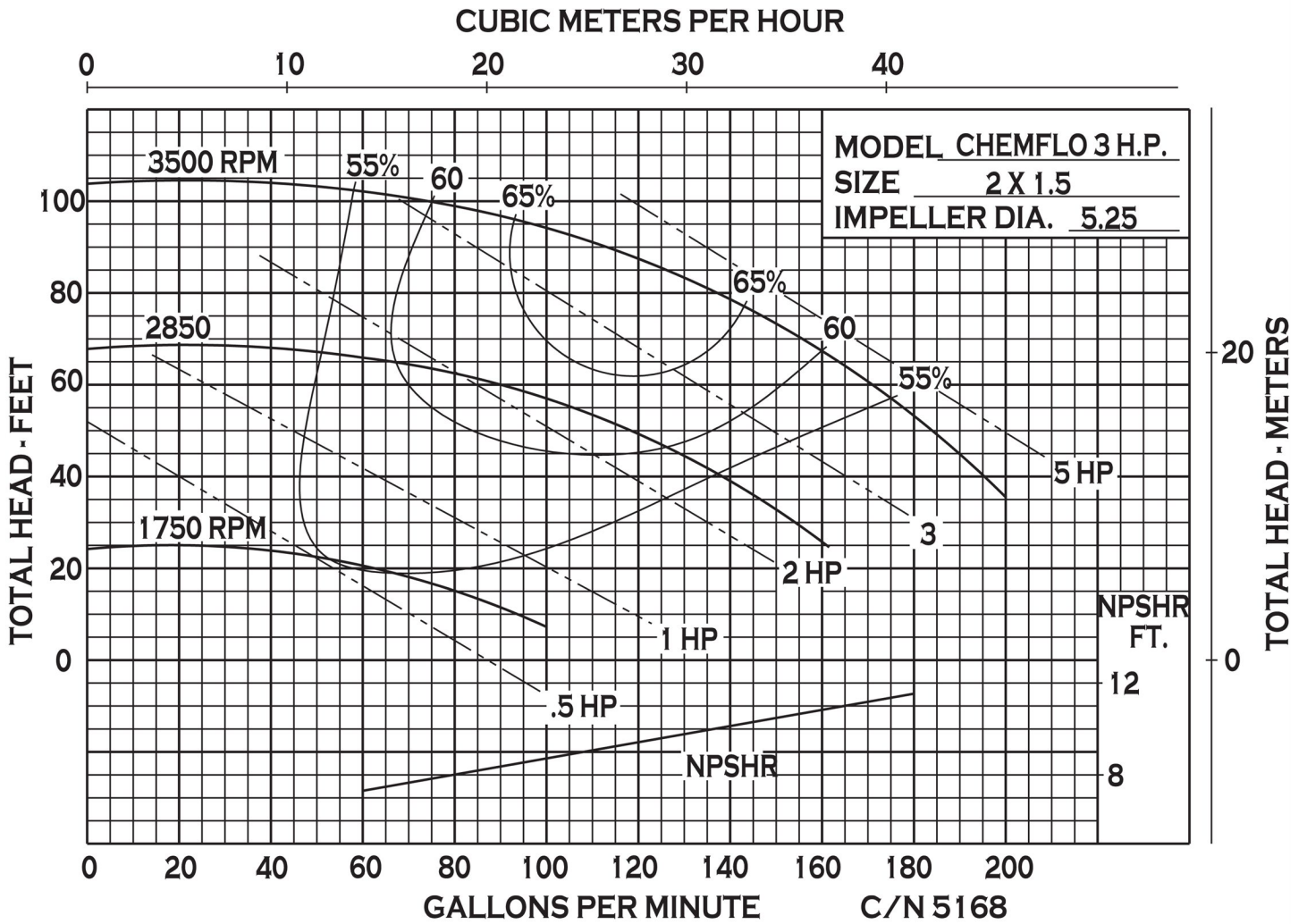
Suction And Discharge	2" x 1-1/2" NPT
Materials Of Construction	316 stainless steel, CFB (nickel aluminum bronze)
Flow	Up to 125 GPM
Head Feet	Up to 125'
Impeller	5.25" semi-open, cast 316 SS
Motor	Up to 3 HP
Drive Options	Close coupled 56C, Close coupled 145TC, Close coupled 184C, Pedestal, PumPAK® (without motor)
Seal	Special seal material combinations available (consult factory), Standard carbon / ceramic / Viton
Options	Hydraulic motor .22 cu. in., Hydraulic motor .37 cu. in., Tap for recirculation or seal flush

# CHEMFLO 3

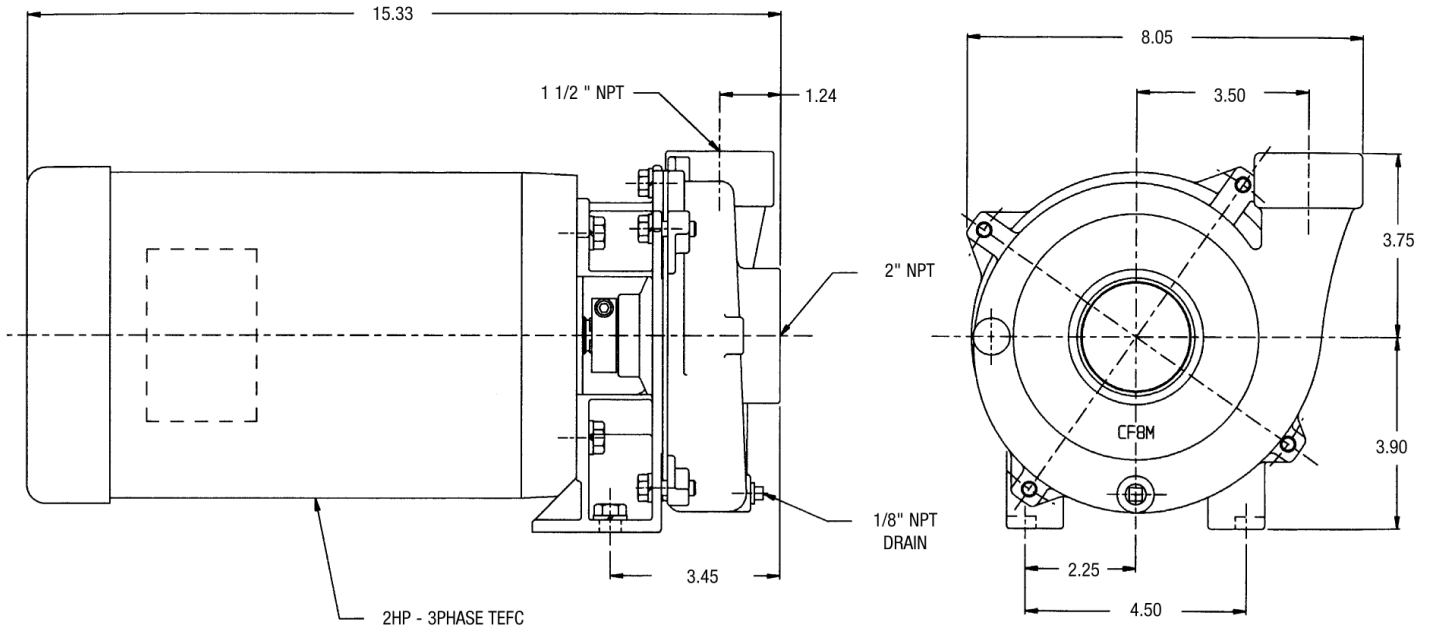


34800 BENNETT - FRASER, MI 48026-1686  
 (586) 293-8240 - FAX (586) 293-8469  
 (800) 563-8006 - www.mppumps.com

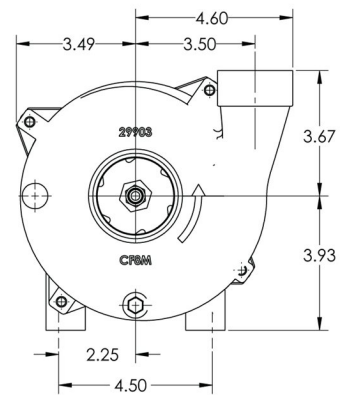
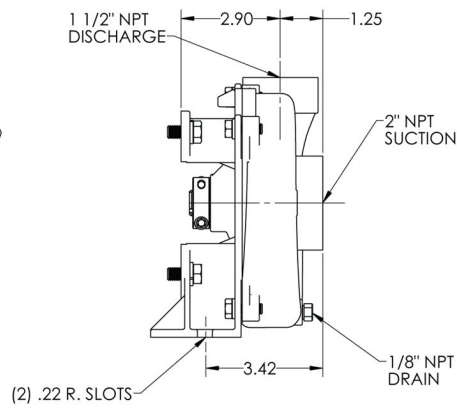
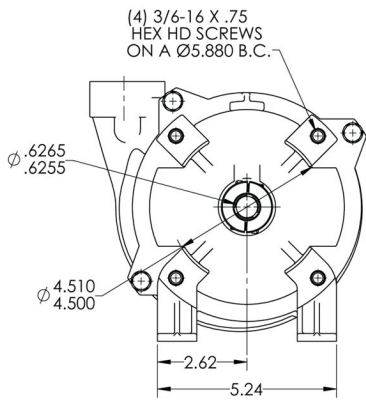




# CHEMFLO 3



DRAWING NO  
29917



NOTE: THIS DRAWING OR PART, PROPERTY OF MP PUMPS INC. CONTAINS PROPRIETARY AND CONFIDENTIAL INFORMATION. IT SHALL BE USED ONLY AS APPROVED BY MP PUMPS AND SHALL NOT BE GIVEN TO OTHERS OR COPIED WITHOUT THE WRITTEN CONSENT OF MP PUMPS. RETURN TO MP PUMPS PROMPTLY WHEN REQUESTED.

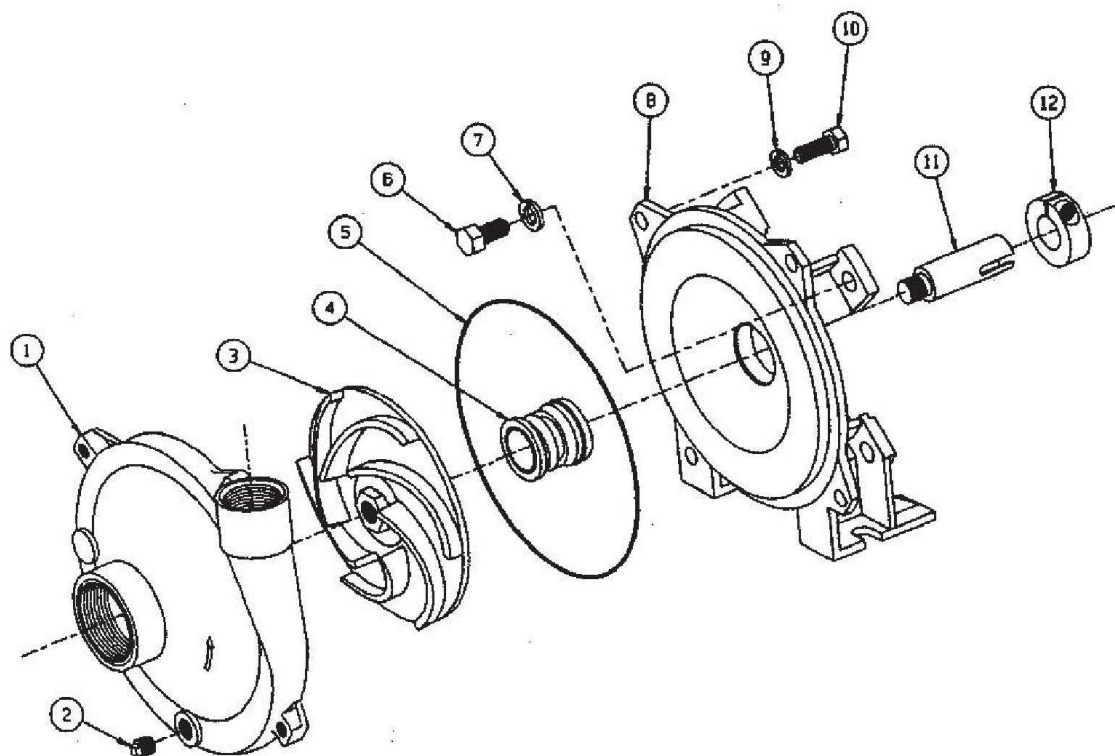
W/5.25 DIA. IMPELLER

G						UNLESS OTHERWISE NOTED THIRD ANGLE PROJECTION 2 PLACE DIM 3 PLACE DIM ANGULAR DIM  <b>DO NOT SCALE</b>	<b>MP PUMPS, INC.</b> MP PUMPS INC. FRASER, MICHIGAN 48026, U.S.A.					
F							MATERIAL: STAINLESS STEEL					
E							DRAWN BY: C.W.	DATE COMP: 11-2-11	APPROV: D.D.	SCALE: FULL	MADE FOR:	MADE FROM:
D							NAME: <b>CF 3 PUMPAK</b>					
C							DRAWING NO: <b>29917</b>					
B												
A												
REV	DESCRIPTION	DRAWN	DATE	BY								



34800 BENNETT - FRASER, MI 48026-1686  
(586) 293-8240 - FAX (586) 293-8469  
(800) 563-8006 - www.mppumps.com

CHEMFLO 3



ITEM NO.	PART NO.	DESCRIPTION	QTY.
1	29904	Housing S.S 2" x 1 1/2" CHEMFLO 3-4	1
1	29906	Housing S.S 1 1/2" x 1" CHEMFLO 1-2	1
2	21255	1/8" NPT Pipe plug S.S	1
3	29910	Impeller S.S 6.00 A CHEMFLO 1	1
3	29912	Impeller S.S 5.25 B CHEMFLO 2, 3	1
3	29914	Impeller S.S 4.50 C CHEMFLO 4	1
4	30054	3/4" T-9 Seal carbon/ceramic/teflon	1
4	30061	3/4" T-21 Seal carbon/ceramic/viton	1
5	30066	O-Ring teflon	1

ITEM NO.	PART NO.	DESCRIPTION	QTY.
5	29715	O-Ring viton	1
6	21701	3/8" - 16 x 3/4" H.H.C.S. CPS	4
7	21266	3/8" Lockwasher S.S	4
8	29908	Adaptor S.S 56C	1
9	21238	5/16" Lockwashers S.S	4
10	21242	5/16" - 18 x 7/8" H.H.C.S. S.S	4
11	29785	Sleeve S.S 5/8" I.D.	1
12	28049	Clamp STL.	1

**MP PUMPS, INC.**

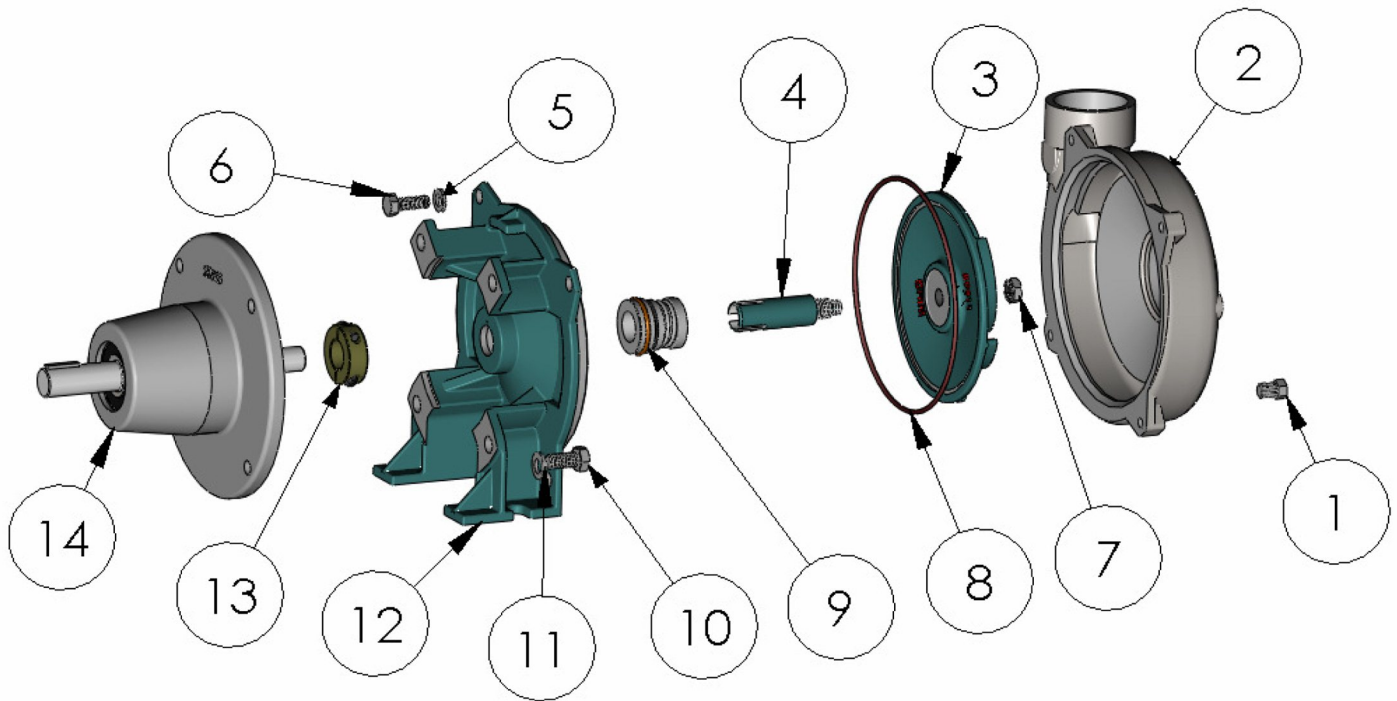
34800 BENNETT • FRASER, MI 48026-1686  
 (586) 293-8240 • FAX (586) 293-8469  
 (800) 563-8006 • www.mppumps.com

**FORM 3060-A**

PRINTED IN U.S.A. (6-97)



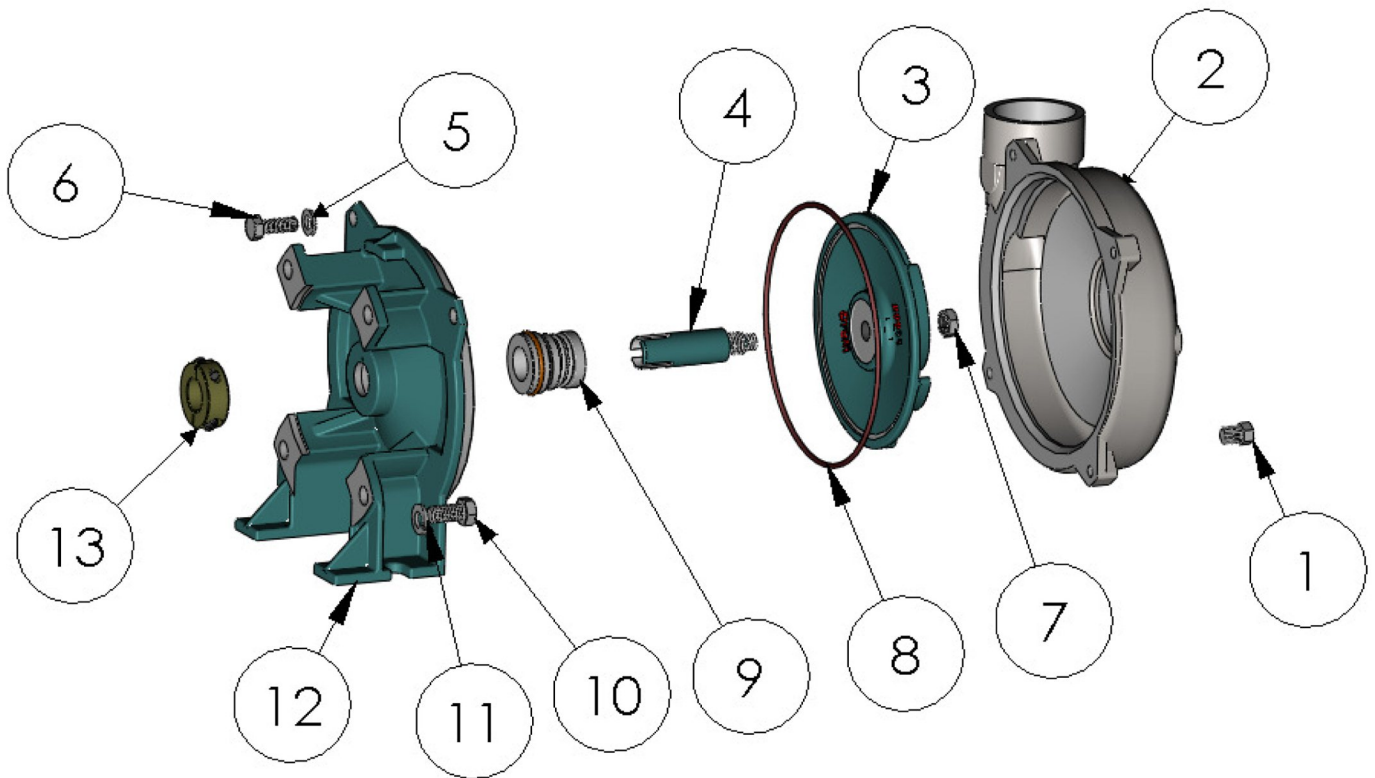




ITEM NO.	PART NO.	DESCRIPTION	QTY.	
1	21255	PIPE PLUG S.S. - 1/8 NPT	1	
2	29904	HOUSING S.S.	1	
3	29912	IMPELLER S.S. - 5.25 DIA.	1	
4	29785	DRIVE SLEEVE S.S.	1	
5	21238	LOCKWASHER S.S. - 5/16	4	
6	21242	HEX HD. CAPSCREW S.S. - 5/16-18 X .88	4	
7	35598	HEX JAM NUT S.S.	1	
*	8	29715	O RING - VITON	1
*	9	30061	SEAL ASSY. - 3/4" T-2100	1
10	25663	HEX. HD. CAPSCREW S.S. - 3/8-16 X 3.4	4	
11	21266	LOCKWASHER S.S. - 3/8	4	
12	29908	ADAPTER S.S.	1	
13	28049	CLAMP STL. - 3/4"	1	
14	29670	PEDESTAL ASSY. C.I.	1	

\*- RECOMMENDED REPLACEMENT PARTS



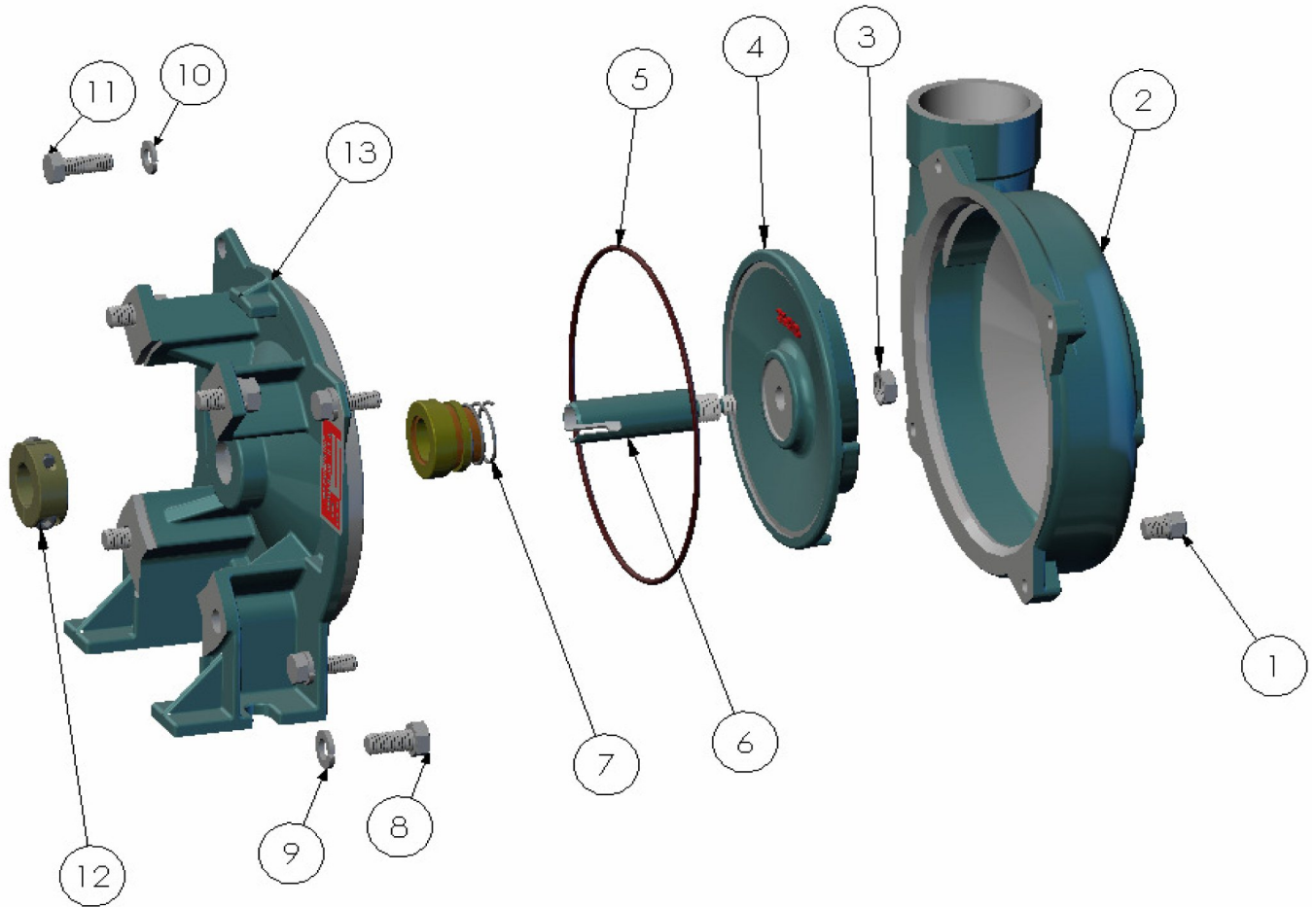


ITEM NO.	PART NO.	DESCRIPTION	QTY.	
1	21255	PIPE PLUG S.S. - 1/8 NPT	1	
2	29904	HOUSING S.S.	1	
3	29912	IMPELLER S.S. - 5.25 DIA.	1	
4	29785	DRIVE SLEEVE S.S.	1	
5	21238	LOCKWASHER S.S. - 5/16	4	
6	21242	HEX HD. CAPSCREW S.S. - 5/16-18 X .88	4	
7	35598	HEX JAM NUT S.S.	1	
*	8	29715	O RING - VITON	1
*	9	30061	SEAL ASSY. - 3/4" T-2100 VITON	1
10	25663	HEX. HD. CAPSCREW S.S. - 3/8-16 X 3.4	4	
11	21266	LOCKWASHER S.S. - 3/8	4	
12	29908	ADAPTER S.S.	1	
13	28049	CLAMP STL. - 3/4"	2	

\*- RECOMMENDED REPLACEMENT PARTS







ITEM NO.	PART NO.	DESCRIPTION	QTY.
1	36355	PIPE PLUG BRONZE - 1/8 NPT	1
2	36343	HOUSING BRONZE	1
3	36354	HEX JAM NUT BRONZE - 3/8-24	1
4	36349	IMPELLER BRONZE - 5.25 DIA.	1
*	5	29715 O RING - VITON	1
6	36353	DRIVE SLEEVE BRONZE	1
*	7	30061 SEAL ASSY. - 3/4" T-2100	1
8	25663	HEX HD. CAPSCREW S.S. - 3/8-16 X .75	4
9	21266	LOCKWASHER S.S. - 3/8	4
10	21238	LOCKWASHER S.S. - 5/16	4
11	21242	HEX HD. CAPSCREW S.S. - 5/16-18 X .88	4
12	36384	CLAMP S.S. - 3/4" SL.	1
13	36345	ADAPTER BRONZE	1

\*- RECOMMENDED REPLACEMENT PARTS

