



IPC Integrated Professional Cleaning

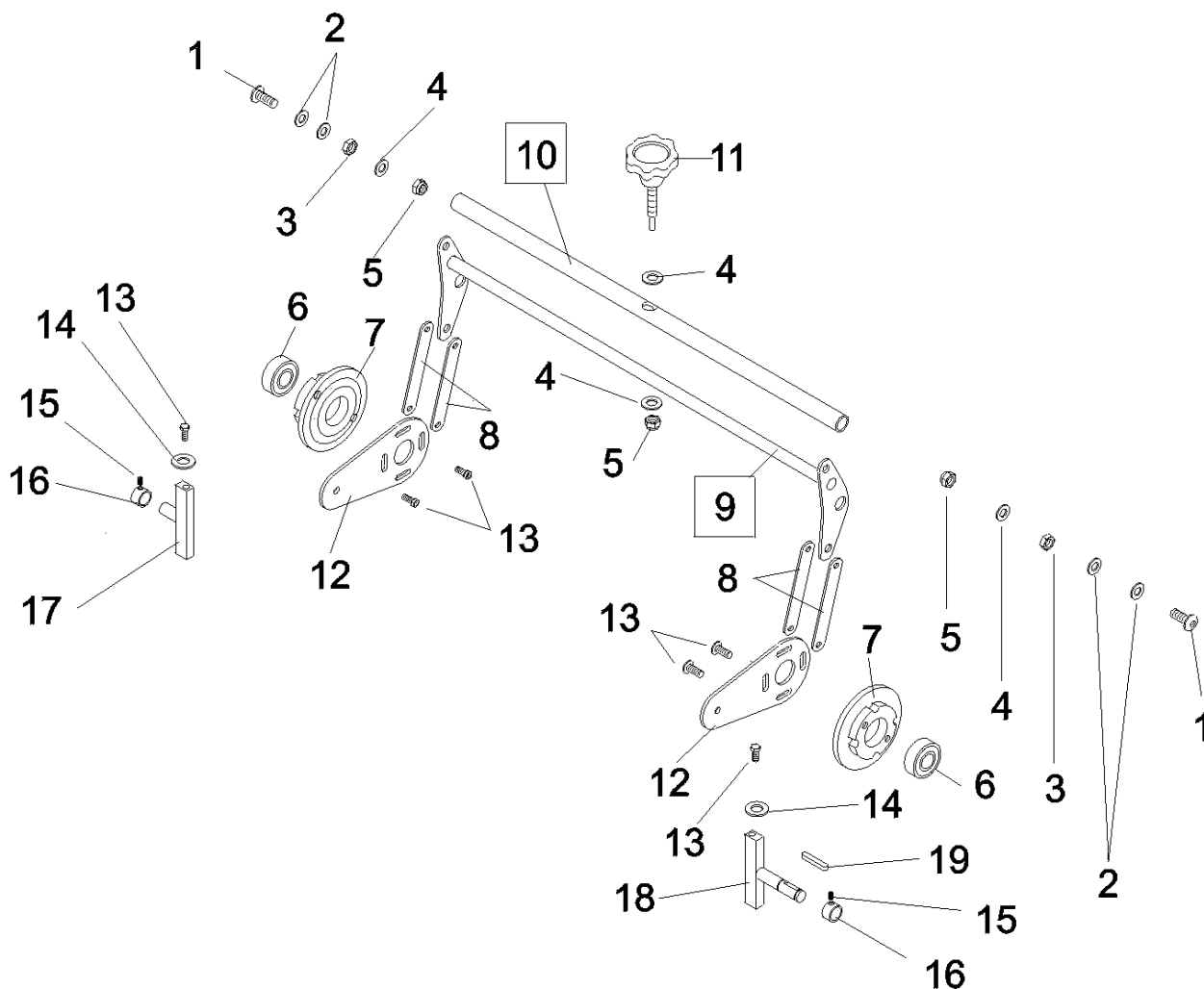
IPC Gansow

Spare Parts List

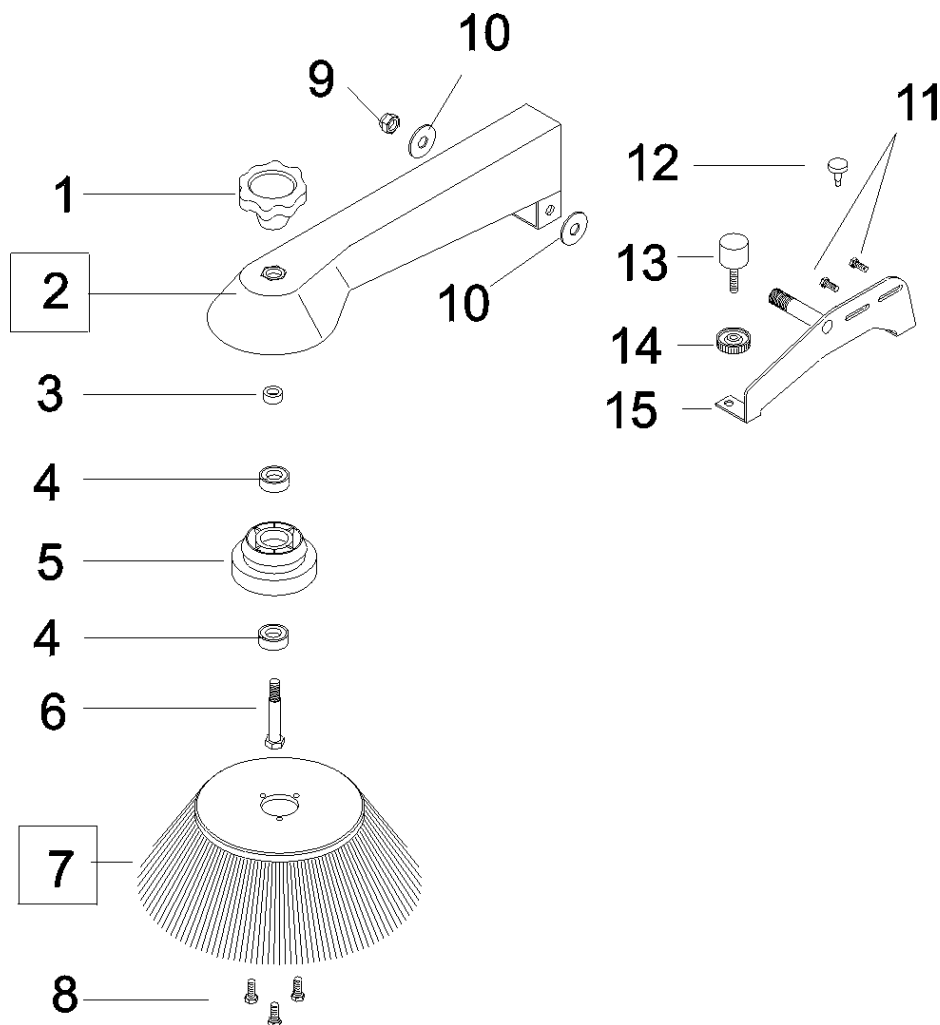
IPC EAGLE

Ref: MSUT00645

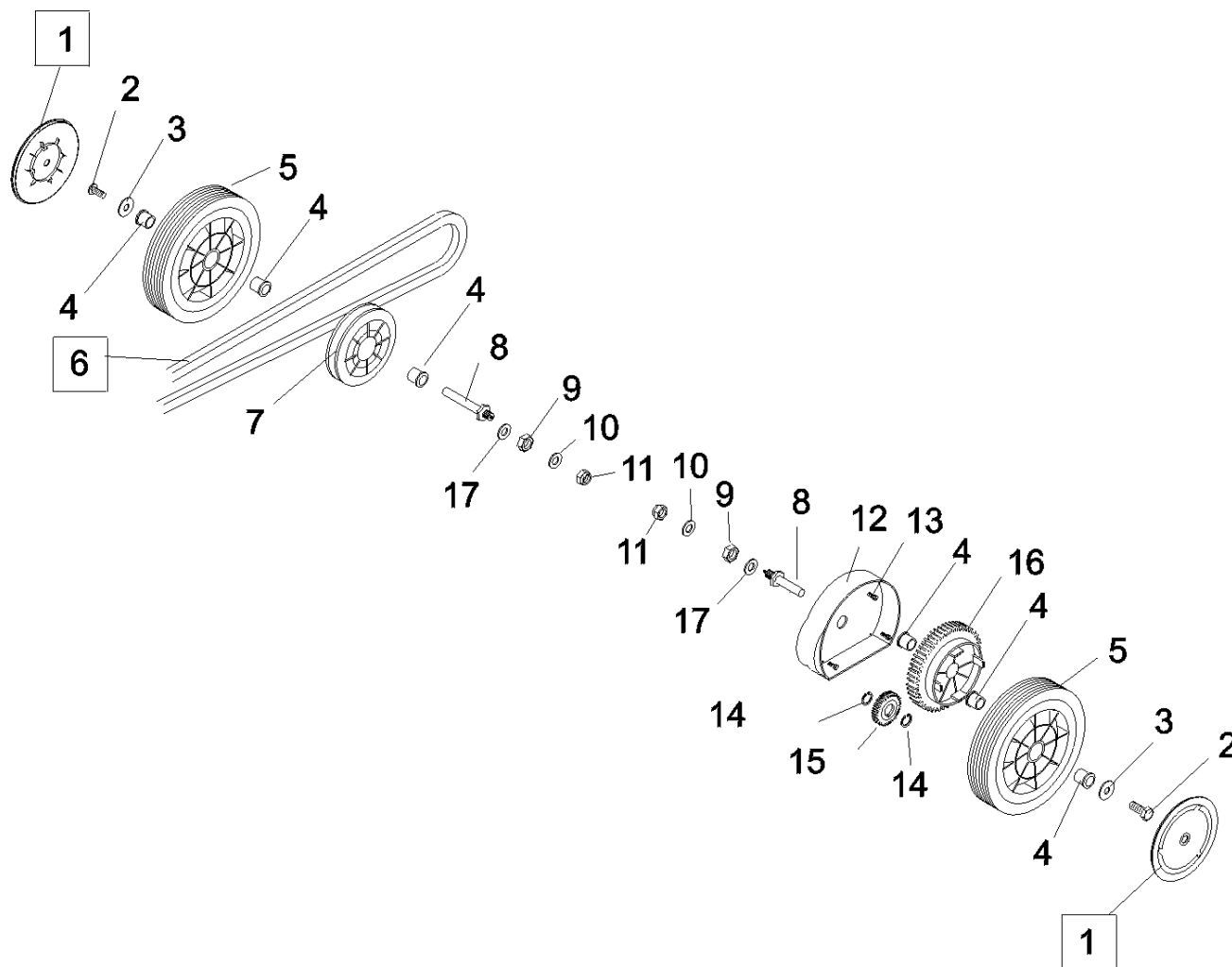
Model: TKM VERDE IPC



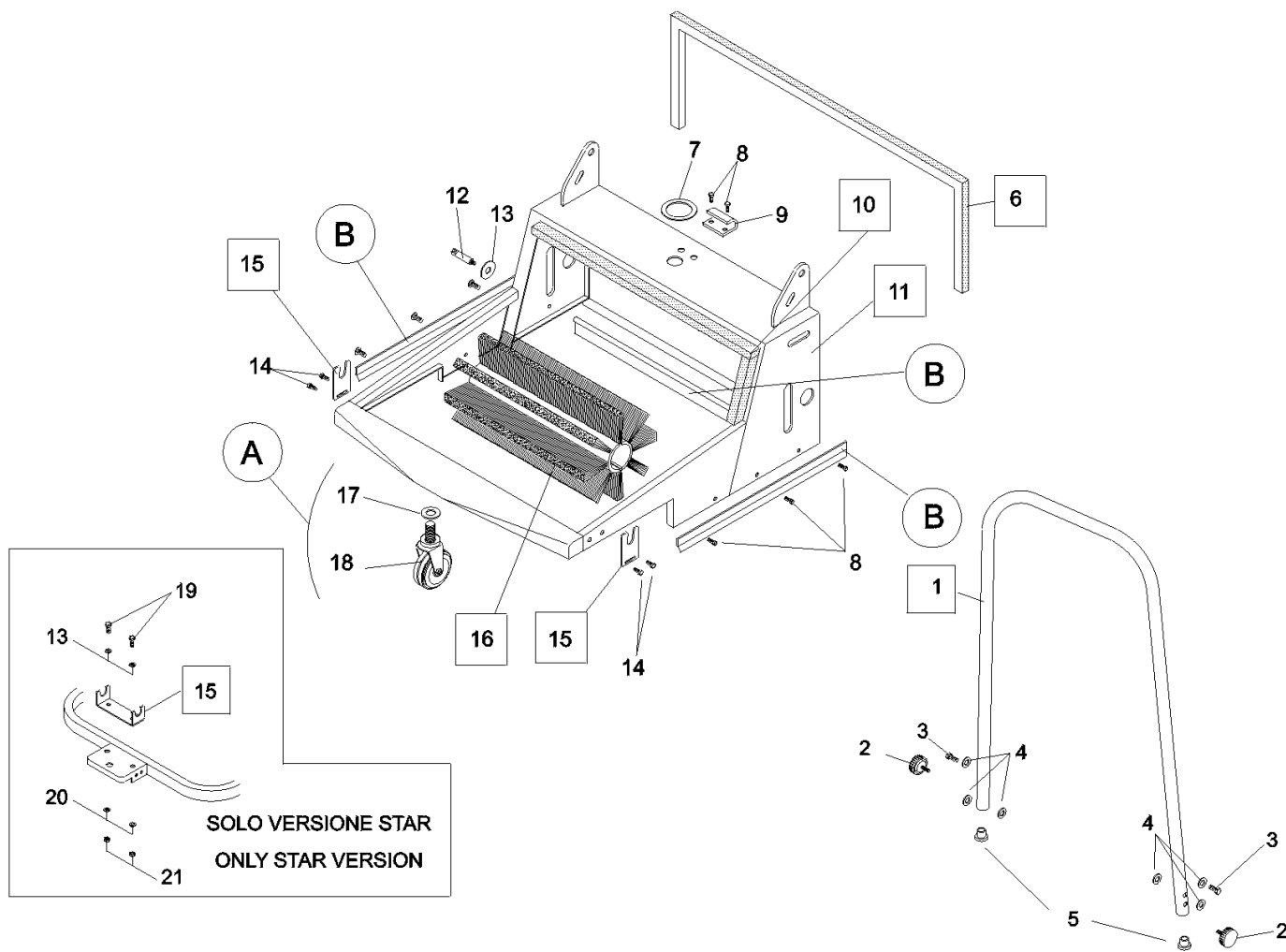
Ref. K	Part N.	Customer Part N.	Description	Qty	Validity:		Price
					From	To	
0001	VTVT00017		SCREW TE UNI 5739 8X35 ZB	2,00			--
0002	VTRS87283		WASHER D.8X24X2,5 ZB UNI 6593	4,00			--
0003	VTDD00483		NUT M 8 ZIN UNI 5588	2,00			--
0004	VTRS00504		WASHER D. 8 TE ZC. UNI 6592	4,00			--
0005	VTDD00124		NUT M 8 BASSO	3,00			--
0006	CUVR00005		BEARING 6202 2RS	2,00			--
0007	LAFN26583		BEARING SUPPORTLOLY 50	2,00			--
0008	LAFN87142		BRACKET BILANCIERE ZINCATA	1,00			--
0009	LAFN26579		BALANCER LOLY 50	1,00			--
0010	LAFN00033		TUBE BILANCERE 65 ZINCATO	1,00			--
0011	VTVR75767		HANDWHEEL D.60 M 12 x 67	1,00			--
0012	LAFN00642		BRACKET SUPP.CUSCIN.BILANC.ZINC.	2,00			--
0013	VTVT75719		SCREW TE F/ROND. M 6 X 10	6,00			--
0014	VTRS04026		WASHER D. 6X18X2.38	2,00			--
0015	VTVT75731		SCREW UNI 5923 6 X5	2,00			--
0016	LAFN26588		SPACER LOLY 50	2,00			--
0017	ALTR26577		BRUSH SHAFT LOLY 50	1,00			--
0018	ALTR26587		TRACTION SHAFT LOLY 50	1,00			--
0019	VTVR26559		KEY 5X5X15	1,00			--



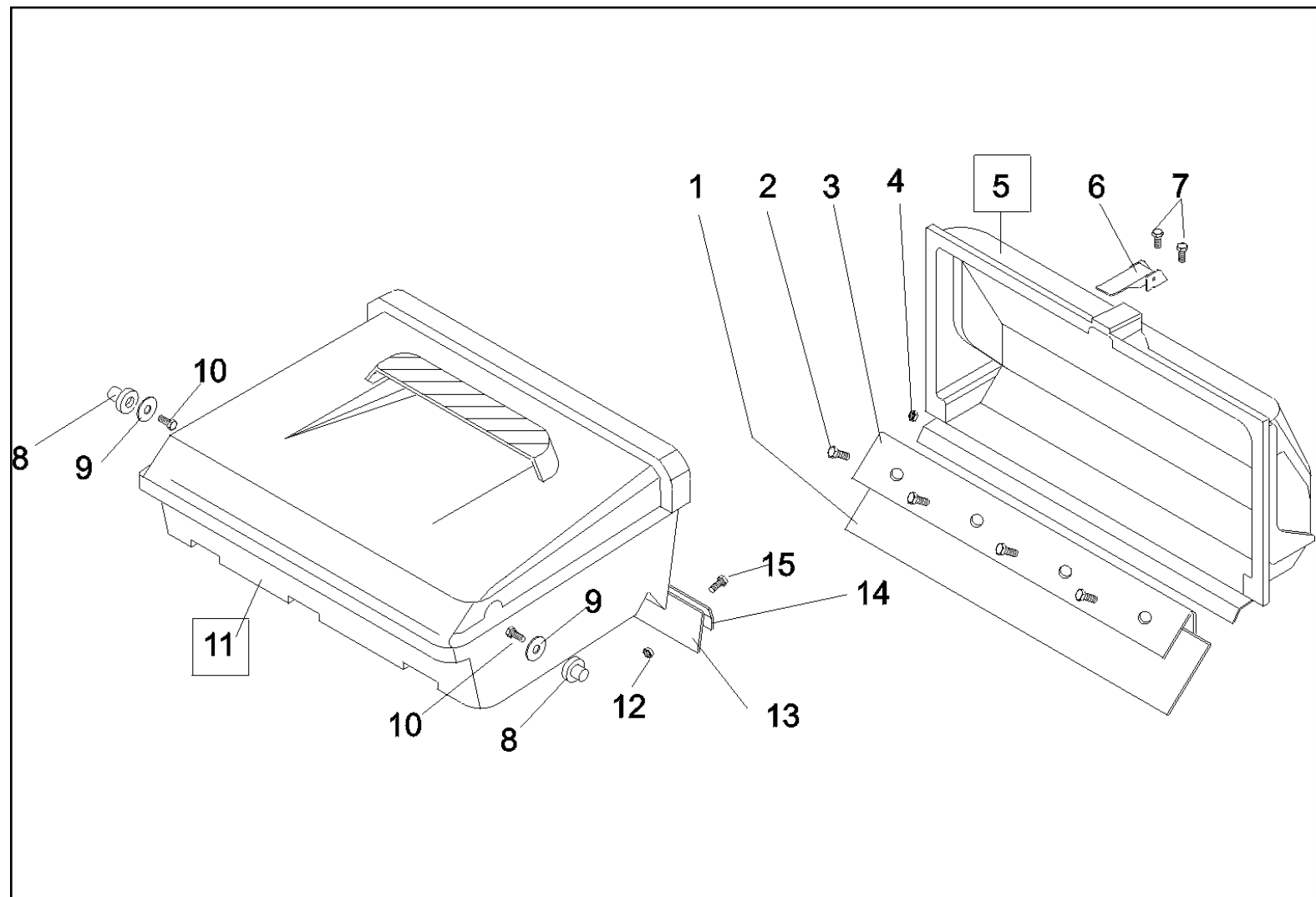
Ref.	K	Part N.	Customer Part N.	Description	Qty	Validity:		Price
						From	To	
0001		VTVR75766		HANDWHEEL D60 M10 (Z01.021)	1,00			--
0002		LAFN26508		LATERAL ARM LOLY 50H-HE	1,00			--
0003		LAFN26509		THICKNESS MM7 LOLY 50	1,00			--
0004		CUVR00003		BEARING 6201 2RS	2,00			--
0005		MTPL26511		PULLEY 82 -1Z LOLY 50	1,00			--
0006		LAFN26513		PIN LOLY 50	1,00			--
0007		SPPV24794		SIDE-BRUSH LOLY 50-70	1,00			--
0008		VTVT75719		SCREW TE F/ROND. M 6 X 10	3,00			--
0009		VTDD00042		NUT AUT.M10 UNI7474	1,00			--
0010		VTRS00505		WASHER D.10 TE UNI 6592	2,00			--
0011		VTVT63129		SCREW TE F/ROND. M 8X16 ZB	1,00			--
0012		ABGO00011		VIBRATION DAMP.APPOGGIO BRACCIO LATERALE	1,00			--
0013		ABGO26555		VIBRATION DAMP.30X20- 1M10X20 -60+5SH	1,00			--
0014		LAFN26557		RING NUT M 8 D.40	1,00			--
0015		LAFN26574		ARM SUPPORT LOLY 50	1,00			--



Ref. K	Part N.	Customer Part N.	Description	Qty	Validity:		Price
					From	To	
0001	MPVR00159		WHEEL'S COVER D.250 NERO	2,00			--
0002	VTVT75719		SCREW TE F/ROND. M 6 X 10	2,00			--
0003	VTRS63242		WASHER D. 6 X24 ZC	2,00			--
0004	MPVR26573		BUSHING D.15X20NYL	6,00			--
0005	RTRT37325		WHEEL D.250-D.20 SPI 2	2,00			--
0006	MTCG26512		BELT Z 64 10X1620	1,00			--
0007	MTPL75982		PULLEY DE 178 M	1,00			--
0008	LAFN00422		PIN RUOTA MANUALE	2,00			--
0009	VTDD00015		NUT UNI 5589 M18 BASSO ZB	2,00			--
0010	VTRS00512		WASHER D. 8 X24 ZC.	2,00			--
0011	VTDD00124		NUT M 8 BASSO	2,00			--
0012	MPVR75847		SIDE CRANKCASE I	1,00			--
0013	VTVT00040		SCREW AUTOF.TC UNI6954 3,5X10SP	1,00			--
0014	VTAE17003		CIRCLIP D. 15 UNI 7435	2,00			--
0015	MTIG26560		TOOTHED WHEEL Z= 14 M. 3	1,00			--
0016	MTIG26563		TOOTHED WHEEL Z= 44 M. 3 D.138 M	1,00			--
0017	VTRS00013		WASHER UNI 6592 18X34 ZB	2,00			--



Ref.	K	Part N.	Customer Part N.	Description	Qty	Validity:		Price
						From	To	
0001		LAFN00382		HANDLE TONDO 65 NERO RAL9011	1,00			--
0002		VTVR26552		HANDWHEEL M 8MAX15 D.40	2,00			--
0003		VTVT63129		SCREW TE F/ROND. M 8X16 ZB	2,00			--
0004		VTRS00504		WASHER D. 8 TE ZC. UNI 6592	6,00			--
0005		VTVR00039		PROD PER INTERNO D.25	2,00			--
0006		KTRI00012		KIT GASKET MOUSSE POS.TKM/501/STAR/	1,00			--
0007		ETET00003		LABEL FRECCETTE FUSTELLATE	1,00			--
0008		VTVT00040		SCREW AUTOF.TC UNI6954 3,5X10SP	2,00			--
0009		CHVR85161		CLOSING HOOK A LEVA 1320007	1,00			--
000B		MPVR38013		RUBBER FLAP LOLY 50TK	1,00			--
0010		KTRI00013		KIT GASKET MOUSSE ANTERIORE TKM	1,00			--
0011		LAFN00989		FRAME TKM GRIGIO RAL7024	1,00			--
0012		LAFN75969		PIN D.9 H.33	1,00			--
0013		VTRS63242		WASHER D. 6 X24 ZC	3,00			--
0014		VTVT85116		SCREW TE FR 6,3X19 ZIN	2,00			--
0015		LAFN00648		BASE-SUPPORT CASSETTO ANTER.TKM ZINC.	2,00			--
0016		SPPV24793		CENTRAL BRUSH LOLY 50 H	1,00			--
0017		VTRS00506		WASHER D.12 UNI 6592	1,00			--
0018		RTRT75981		TURNING WHEEL D.80	1,00			--
0019		VTVT62920		SCREW TE F/ROND. M 6X 16 ZB	2,00			--
0020		VTRS04026		WASHER D. 6X18X2.38	2,00			--
0021		VTDD00482		NUT M 6 ZIN UNI 5588	2,00			--



Ref. K	Part N.	Customer Part N.	Description	Qty	Validity:		Price
					From	To	
0001	MPVR76756		RUBBERX DRAWER SW 500	1,00			--
0002	VTVT00003		SCREW TE M 4X 12 ZC. UNI 5739	4,00			--
0003	LAFN00283		CLAMP GOMMA CASSETTO POST.TKM	1,00			--
0004	VTDD04368		NUT M 4 ZIN UNI 5588	1,00			--
0005	MPVR07052		DRAWER POST.TKM VERDE	1,00			--
0006	CHVR26582		CLOSURE L= 75 LOLY 50	1,00			--
0007	VTVT00040		SCREW AUTOF.TC UNI6954 3,5X10SP	2,00			--
0008	LAFN37330		DRAWER SUPPORT LOLY TK	2,00			--
0009	VTRS00505		WASHER D.10 TE UNI 6592	2,00			--
0010	VTVT63129		SCREW TE F/ROND. M 8X16 ZB	2,00			--
0011	MPVR07051		DRAWER ANTER.TKM VERDE	1,00			--
0012	VTDD04368		NUT M 4 ZIN UNI 5588	4,00			--
0013	MPVR75919		RUBBER TK	1,00			--
0014	LAFN37328		HOSE CLIP LOLY TK	1,00			--
0015	VTVT00003		SCREW TE M 4X 12 ZC. UNI 5739	4,00			--