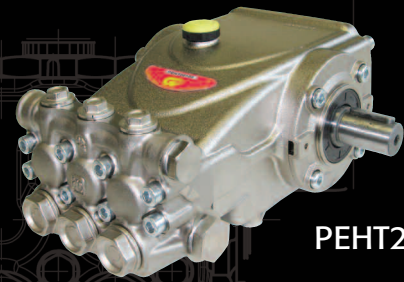


Platinum Emperor Series From General Pump

Our Mission

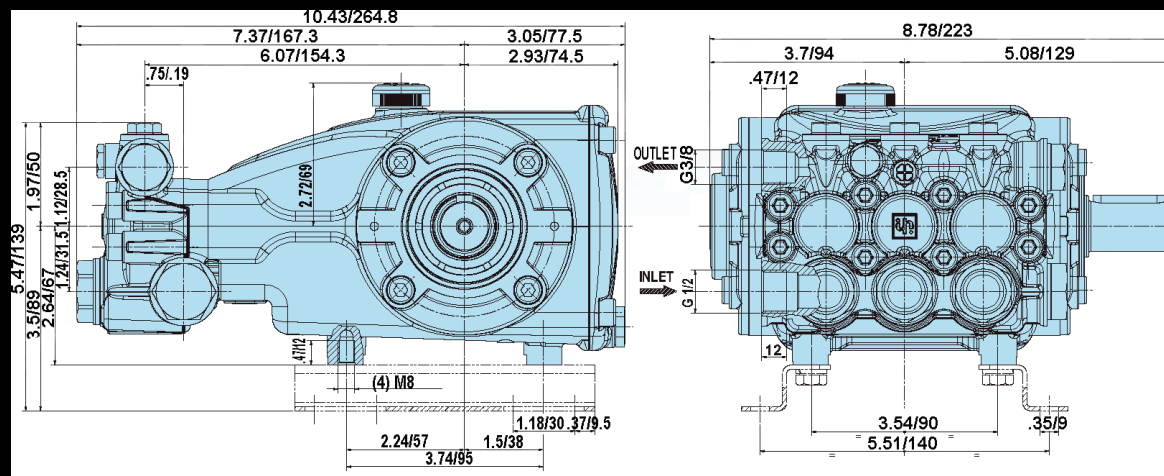
To be the best fluid control device company worldwide, providing our customers with superior and innovative products, coupled with a level of service that exceeds customer expectations.

At General Pump, "We'll Find A Way!"



PEHT2010S

PEHT EMPEROR PLATINUM SERIES						
MODEL	FLOW	PRESSURE	RPM	HP	MAX TEMP	SHP WHT
PEHT2010S	4.00 GPM	3,000 PSI	1750	7.8	185° F	9.5 lbs.
	3.43 GPM	3,000 PSI	1450	6.8	185° F	9.5 lbs.
PEHT2012S	4.76 GPM	3,000 PSI	1750	9.4	185° F	9.5 lbs.
	3.96 GPM	3,000 PSI	1450	7.8	185° F	9.5 lbs.
PEHT2213S	2.64 GPM	3,000 PSI	950	5.2	185° F	9.5 lbs.
	5.55 GPM	3,000 PSI	1450	10.9	185° F	9.5 lbs.
	3.43 GPM	3,000 PSI	950	6.8	185° F	9.5 lbs.



PLATINUM SERIES

Emperor



The
Highest
Technology
in
Car
Wash



GP Companies, Inc.
1174 Northland Drive
Mendota Heights, MN 55120 USA
Phone: 651.454.6500 • Fax: 651.454.8015
Toll Free: 888.474.5487
www.generalpump.com
email: sales@gpcompanies.com

© GP Companies, Inc.
2017 Rev. A



General Pump is part of
the Interpump Group



Distributed By

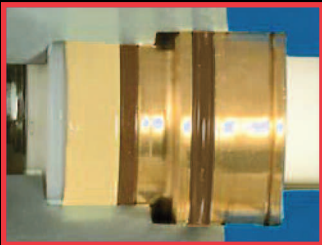
PLATINUM EMPEROR SERIES

NEW DUAL LIP OIL SEAL!
Better oil/water sealing



NEW GUIDING SYSTEM!
Optimal sliding of the plunger guide assembly reduces friction between plunger and seals extends life of seals (*Patent Pending*)

NEW OPTIMIZED OUTLET VALVES!
Better volumetric efficiency



NEW!
Special seals for car wash applications to 185° F

NEW PLUNGER FASTENING SYSTEM!
Eliminates the risk of pressure build-up inside the plunger.



NEW CRANKCASE DESIGN!
Nickel-plated crankcase means higher corrosion resistance!

Increased sliding surface of the plunger guide means better stability of the guide and reduced wear

Large diameter of sight glass means easier oil checking



Oil dipstick with breather

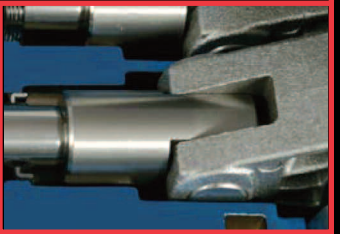
NEW DESIGN! Oversized connecting rods reduce specific pressure and provides better lubrication



Large oil capacity means better cooling and lubrication

Oversized premium taper roller bearing

NEW DUAL DIAMETER PLUNGER GUIDE!
Rolled oil seal sliding surface reduces risk of oil leaks and extends oil seal life



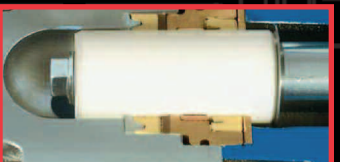
High strength forged crankshaft

Oversized wrist pin

NEW FORGED STAINLESS STEEL MANIFOLD (AISI420B), NICKEL-PLATED
For increased corrosion resistance

NEW! Dust protection chamber between crankcase and manifold

NEW! Solid ceramic plungers with dual guide system (*patent pending*)



These Pumps are 100% Made in Italy

These Pumps are 100% Made in Italy