

Parts Illustrations for Models 9910-D70 and 9910-D70GR

Figure 6. Parts Illustrations for Model 9910-D70

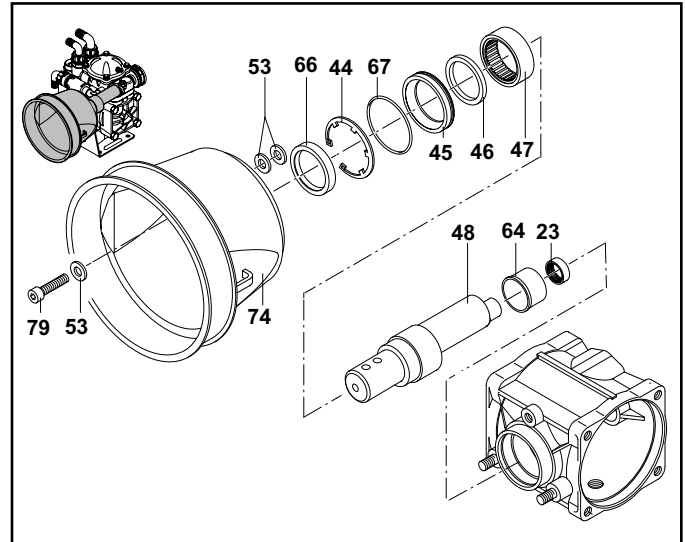
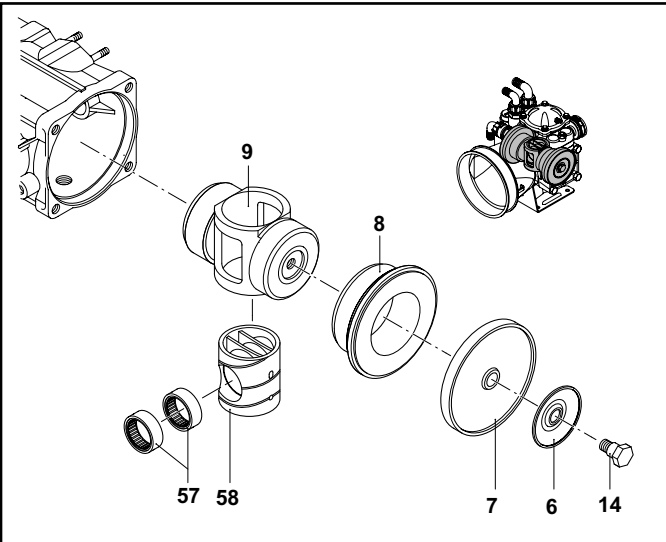
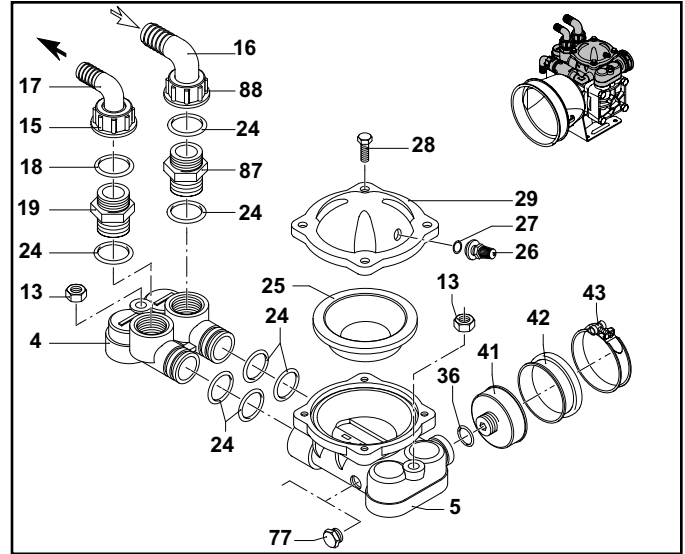
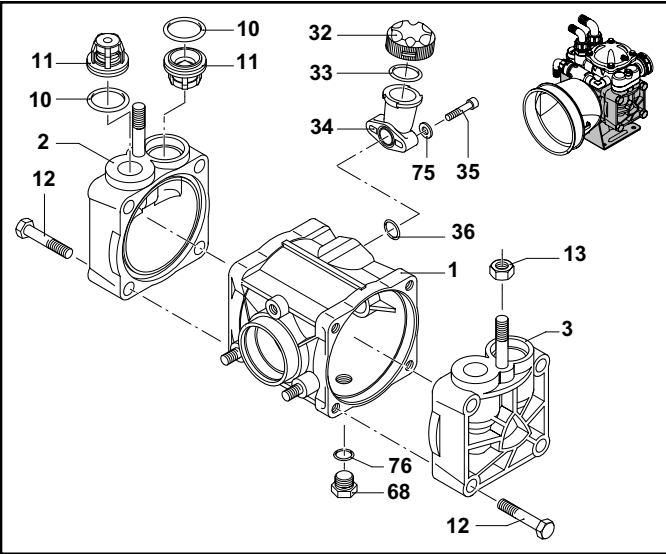
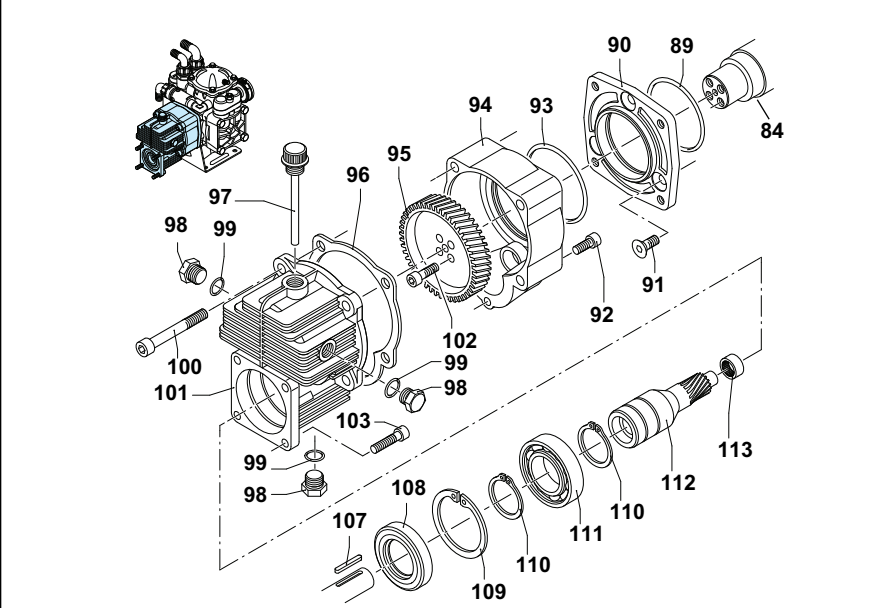


Figure 7. 9910-D70GR Gear Box Components



Parts List for Models 9910-D70 and 9910-D70GR

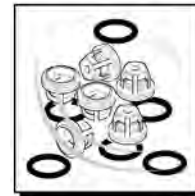
REF. NO.	PART NUMBER	DESCRIPTION	QTY. REQ'D
1	9910-550011	Pump Body with bolts	1
2	9910-550101	Right head DX	1
3	9910-550102	Left head SX	1
4	9910-550150	Manifold	1
5	9910-559200	Accumulator manifold	1
6	9910-580370	Plate	2
7	9910-550080	Diaphragm (Buna) Optional	2
7a	9910-550085	Diaphragm (Desmopan) Standard	2
8	9910-550110	Sleeve	2
9	9910-550120	Piston	1
10	9910-320030	O-ring	4
11	9910-759051	Complete valve assembly	4
12	9910-551040	M10 x 55 Bolt	8
13	9910-180152	Nut	4
14	9910-580360	Diaphragm bolt	2
15	9910-550880	Ring nut	1
16	9910-580040	Elbow 1-1/4"	1
17	9910-550370	Elbow 1"	1
18	9910-550350	O-ring	1
19	9910-550340	Threaded adapter	1
23	9910-550310	Roller bearing	1
24	9910-390290	O-ring	7
25	9910-550190	Accumulator diaphragm	1
26	9910-550300	Air valve	1
27	9910-650542	O-ring	1
28	9910-550680	Bolt	4
29	9910-559204	Upper air chamber	1
32	9910-550057	Sight glass cap	1
33	9910-550040	O-ring	1
34	9910-550030	Oil sight glass	1
35	9910-850851	Bolt	2
36	9910-180101	O-ring	2
41	9910-650660	Diaphragm holder	1
42	9910-650670	Diaphragm	1
43	9910-650690	Clamp	1
44	9910-200391	Retainer ring	1
45	9910-550470	Seal ring	1
46	9910-550070	Spacer ring	1
47	9910-550060	Roller bushing	1
48	9910-550170	Shaft	1
52	9910-200233	Washer	2
53	9910-320621	Washer	5
57	9910-550280	Bearing	2
58	9910-550140	Cylinder	1
64	9910-550160	Spacer	1
66	9910-550491	Seal ring	1
67	9910-650920	O-ring	1
68	2406-0023	Oil drain plug	1
74	9910-1500350	Shield	1
75	9910-550332	Washer	2
76	9910-740290	O-ring	1
77	9910-330173	Plug	1
79	9910-620472	M10 x 20 Bolt	1
84	9910-550175	Shaft	1
87	9910-450120	Threaded adapter	1
88	9910-550870	Ring nut	1
89	9910-580230	O-ring	1
90	9910-550920	Flange	1
91	9910-550950	Bolt	3
92	9910-180030	Bolt	1
93	9910-620561	O-ring	1
94	9910-621000	Gear cap	1
95	9910-550930	Gear	1

REF. NO.	PART NUMBER	DESCRIPTION	QTY. REQ'D
96	9910-620950	Gasket	1
97	9910-1140370	Oil Plug & O-ring	1
98	9910-1980740	Plug	3
99	9910-740290	O-ring	3
100	9910-621010	Bolt	4
101	9910-620960	Gear box	1
102	9910-540290	Bolt	4
103	9910-651000	Bolt	4
107	9910-881090	Key	1
108	9910-961800	Seal ring	1
109	9910-961790	Circlip	1
110	9910-320240	Circlip	2
111	9910-961780	Bearing	1
112	9910-621660	Pinion	1
113	9910-620990	Bearing	1

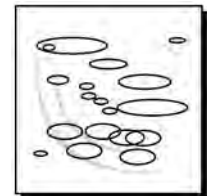
Ref. No.	Description	Tightening Torque	
		In. Lbs.	Nm
12	Bolt	350	39.2
13	Nut	350	39.2
14	Diaphragm Bolt	265	29.9
28	Bolt	175	19.8
35	Bolt	90	10.2
77	Plug	175	19.8



9910-KIT1720 Diaphragm Kit Desmopan	
REF. NO.	QTY.
7a	2
10	4
25	1



9910-KIT2364 Valve Kit	
REF. NO.	QTY.
10	4
11	4



9910-KIT2365 O-Ring Kit	
REF. NO.	QTY.
10	4
18	1
24	7
27	1
33	1
36	1
67	1
76	1

NOTE: When ordering parts, give QUANTITY, PART NUMBER, DESCRIPTION, and COMPLETE PUMP MODEL NUMBER. Reference numbers are used ONLY to identify parts in the drawing and are NOT to be used as order

Torques for D70 Gearbox Components

Ref. No.	Description	Tightening Torque	
		In. Lbs.	Nm
91	Bolt	175	19.8
98	Plug	90	10.2
100	Bolt	220	24.9
103	Bolt	220	24.9
92	Bolt	90	10.2
102	Bolt	220	24.9