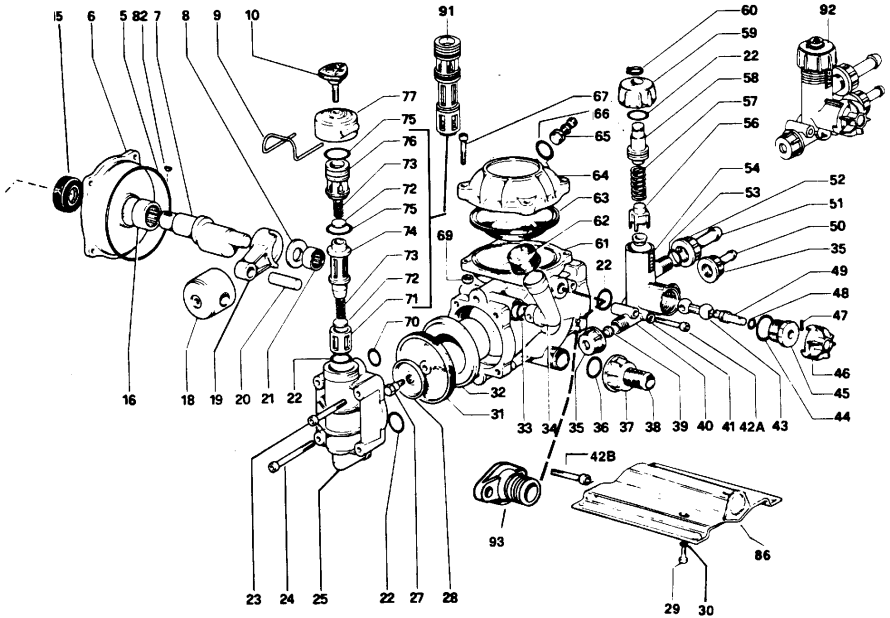
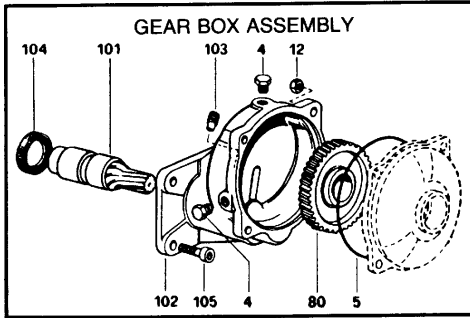


# Hypro® Models 9910-D19, -D19GR



**NOTE:** When ordering parts, give QUANTITY, PART NUMBER, DESCRIPTION, and COMPLETE PUMP MODEL NUMBER. Reference numbers are used ONLY to identify parts in the drawing and are NOT to be used as order numbers.

REF. NO.	PART NUMBER	DESCRIPTION	QTY. REQ'D
▲ 5	9910-800380	O-Ring	2
6	9910-800020	Front Housing	1
7	9910-800171	Crankshaft for G.R. Version	1
7	9910-800172	Crankshaft for 3/4" Solid Shaft	1
8	9910-800160	Spacer Washer	1
9	9910-800150	Spring Locking Clip	2
10	9910-800370	Retainer Knob	2
15	9910-800200	Seal	1
16	9910-800180	Roller Bearing	1
18	9910-800120	Piston	2
19	9910-800140	Connecting Rod	2
20	9910-800130	Connecting Rod Pin	2
21	9910-480370	Roller Bearing	1
■ ▲ 22	9910-480440	O-Ring	7
23	9910-680360	Bolt for Oil Tube	1
24	9910-800220	Head Bolt	7
25	9910-800100	Head	2
27	9910-800090	Diaphragm Retaining Bolt	2
28	9910-800350	Diaphragm Supporting Washer	2
29	9910-180431	Bolt (8MAx15)	2
30	9910-380241	Lock Washers	2
■ 31	9910-800085	Diaphragm	2
32	9910-800110	Piston Sleeve	2
▲ 33	9910-740290	O-Ring	1
34	9910-800320	Oil Sight Glass	1
35	9910-800520	Barb Nut	2
▲ 36	9910-390180	O-Ring	1
37	9910-550450	Barb Nut	1
38	9910-800340	3/4" Inlet	1
39	9910-800540	Plug	1
40	9910-800400	Relief Valve Body — Incl Valve Seat	1
41	9910-550331	Lock Washer	2
42A	9910-800410	Bolt (6MAx40)	2
42B	9910-680700	Bolt (6MAx20)	2
43	9910-800430	Floating Valve	1
45	9910-800500	Locking Bolt	1
46	9910-800510	Locking Bolt Cap	1
47	9910-390330	Locking Pin	1
▲ 48	9910-800560	O-Ring	1
49	9910-800490	Positioning Rod	1
50	9910-800530	3/8" Outlet Hose Barb	1

REF. NO.	PART NUMBER	DESCRIPTION	QTY. REQ'D
51	9910-800670	5/8" Bypass Barb (Standard)	1
51	9910-800671	1/2" Bypass Bar (Opt.)	1
52	9910-800680	Barb Nut	1
▲ 53	9910-770140	O-Ring	1
54	9910-800480	Indicator Scale	1
56	9910-800440	Relief Valve Seat Holder	1
57	9910-800450	Tension Spring	1
58	9910-800460	Relief Valve Plunger	1
59	9910-800470	Adjustment Cap (Relief Valve)	1
60	9910-480550	Retainer Ring	1
61	9910-800010	Pump Body	1
62	9910-800330	Cap for Oil Sight Glass	1
■ 63	9910-800190	Accumulator Diaphragm	1
64	9910-800230	Accumulator Head	1
65	9910-800650	Air Valve Assembly	1
▲ 66	9910-390340	O-Ring	1
67	9910-540290	Bolt (8MAx35)	4
70	9910-800210	O-Ring	2
71		Check Valve Cage (Inlet)	2
72	9910-800060	Poppet	4
73		Tension Spring	4
74		Check Valve Seat	2
■ ▲ 75	9910-200540	O-Ring	4
76		Check Valve Cage (Outlet)	2
77	9910-800360	Valve Cap	2
82	9910-800590	Key	1
86	9910-800311	Base Plate	1
□ 91	9910-809050	Complete Valve Assembly	2
92	9910-809060	Complete Relief Valve Assembly	1
93	9910-800691	Discharge Port Adapter 1/2" NPT Male	1
<b>GEAR BOX ASSEMBLY</b>			
4	9910-620301	Plug	2
12	9910-390440	Nut	4
80	9910-800280	Gear	1
101	9910-800810	Driver Gear	1
102	9910-800820	Body	1
103	9910-800800	Locating Bolt	1
104	9910-480820	Seal	1
105	9910-620440	Bolt	4

**REPAIR & MAINTENANCE KITS AVAILABLE**

▲ O-Ring Parts Kit No. 9910 — KIT1913 consists of: Ref. 5 (2 ea.) O-Rings, Ref. 22 (7 ea.) O-Rings, Ref. 33 (1 ea.) O-Ring, Ref. 36 (1 ea.) O-Ring, Ref. 36 (1 ea.) O-Ring, Ref. 66 (1 ea.) O-Ring, Ref. 48 (1 ea.) O-Ring, Ref. 53 (1 ea.) O-Ring, Ref. 70 (2 ea.) O-Rings, Ref. 75 (4 ea.) O-Rings.

■ Diaphragm Parts Kit No. 9910 — KIT1723 consists of: Ref. 22 (2 ea.) O-Rings, Ref. 31 (2 ea.) Diaphragms, Ref. 63 (1 ea.) Damper Diaphragm, Ref. 70 (2 ea.) O-Rings

□ Valve Parts Kit No. 9910 — KIT 1791 consists of: Ref. 75 (2 ea.) O-Rings, Ref. 91 (2 ea.) Valves, Ref. 22 (2 ea.) O-Rings.